

CIRCUIT SELECTOR

MOD. SCS

Ports: G1/8



- Channelling of two signals coming alternately from two different points towards the same point

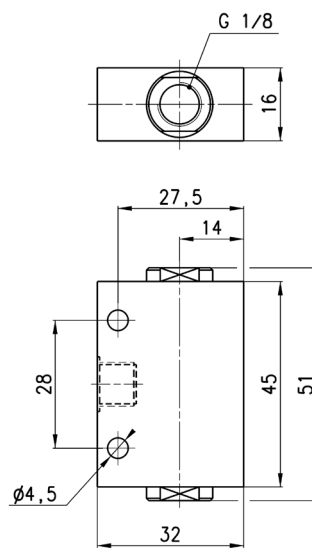
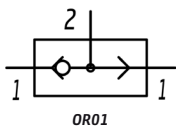
The circuit selector Mod. SCS - 668-06 enables two signals coming alternately from two different points to be channelled towards the same point.

General Data

Valve group	Automatic valves
Construction	Poppet-type
Materials	AL body Brass bush Delrin poppet NBR seals
Mounting	In any position
Ports	G1/8
Operating temperature	0°C ÷ 80°C (with dry air -20°C)
Medium	Filtered air, without lubrication. If lubricated air is used, it is recommended to use ISO VG32 oil. Once applied the lubrication should never be interrupted.

Circuit selector Mod. SCS

The selector is mounted by through holes in the body.



Mod.	Flow (NL/min)	Min. operating pressure (bar)	Max. working pressure (bar)
SCS-668-06	800	0,2	10