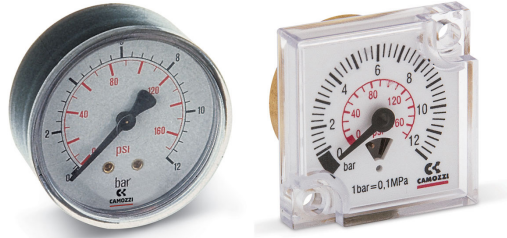


# ANALOG PRESSURE GAUGES

## PRESSURE GAUGES

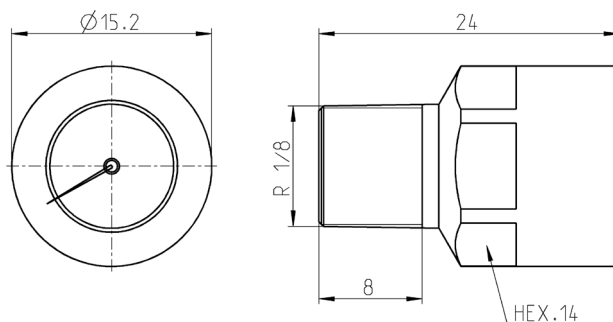


- Radial connection
- Rear connection
- Panel mounting
- Possibility to set the reading range of the optimal working pressure through the red/green coloured sector

To select the most suitable pressure gauge, the measurement range should be chosen considering the type of application according to the following criteria:

- Constant pressure or pressure with slow fluctuations should be within 75% of the maximum scale value.
- Pulsing pressure or rapid fluctuations should be within 65% of the maximum scale value.
- Pressure peaks should never exceed the maximum scale value.

### Miniature pressure gauge

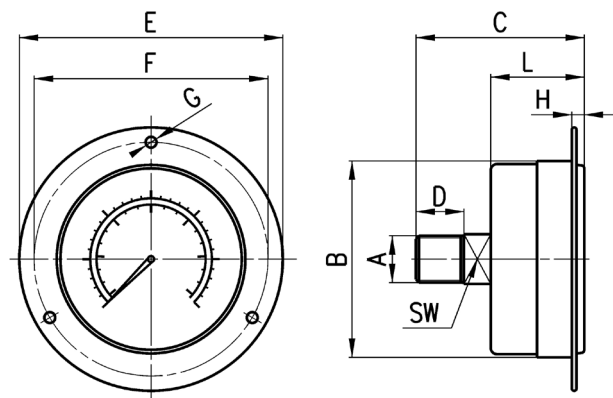


Mod.	Range
M015-P08	0 ÷ 8 bar

AIR TREATMENT

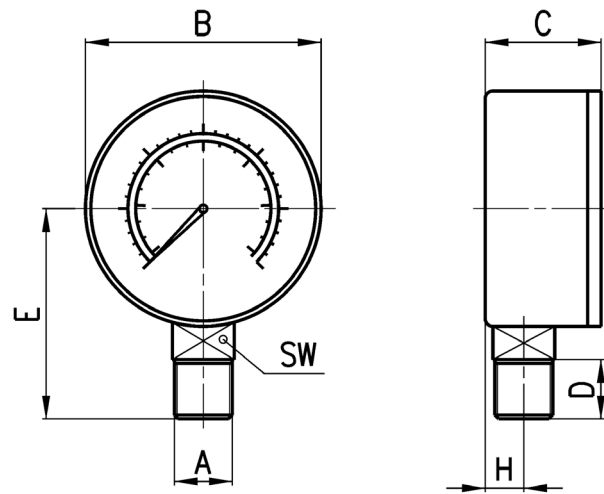
9

### Pressure gauges for panel mounting



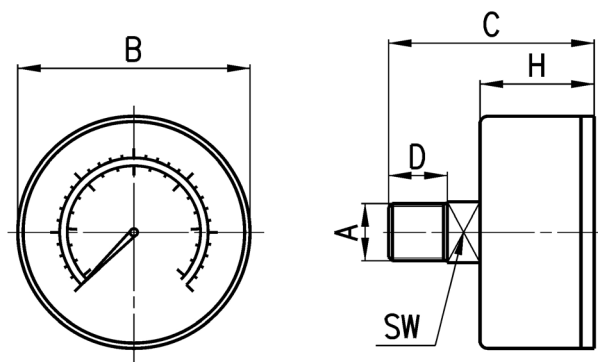
Mod.	A	B	C	D	E	F	G	H	L	SW	Range
M043-F04	R1/8	Ø 40,5	43	10	61	51	Ø 3,5	4	27	12	0-4 bar
M043-F06	R1/8	Ø 40,5	43	10	61	51	Ø 3,5	4	27	12	0-6 bar
M043-F10	R1/8	Ø 40,5	43	10	61	51	Ø 3,5	4	27	20	0-10 bar
M043-F12	R1/8	Ø 40,5	43	10	61	51	Ø 3,5	4	27	20	0-12 bar
M063-F12	R1/4	Ø 63	54	12	85	75	Ø 3,5	4,5	30,5	14	0-12 bar

### Pressure gauges with radial connection



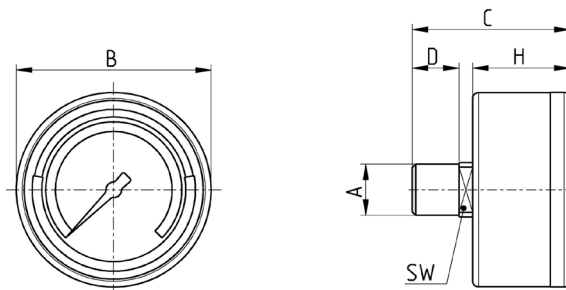
Mod.	A	B	C	D	E	H	SW	Range
M043-R06	R1/8	∅ 38,8	24,2	10	35,2	9	12	0-6 bar
M043-R12	R1/8	∅ 38,8	24,2	10	35,2	9	12	0-12 bar
M053-R12	R1/8	∅ 48,8	27,5	10	43	10	14	0-12 bar
M063-R12	R1/4	∅ 63	28,8	12	50	10	14	0-12 bar

### Pressure gauges with rear connection



Mod.	A	B	C	D	H	SW	Range
M043-P02,5	R1/8	∅ 38,8	41	10	25	14	0 ÷ 2,5 bar
M043-P04	R1/8	∅ 38,8	41	10	25	14	0 ÷ 4 bar
M043-P06	R1/8	∅ 38,8	41	10	25	14	0 ÷ 6 bar
M043-P10	R1/8	∅ 38,8	41	10	25	14	0 ÷ 10 bar
M043-P12	R1/8	∅ 38,8	41	10	25	14	0 ÷ 12 bar
M053-P04	R1/8	∅ 50	41,5	10	25	14	0 ÷ 4 bar
M053-P06	R1/8	∅ 50	41,5	10	25	14	0 ÷ 6 bar
M053-P10	R1/8	∅ 50	41,5	10	25	14	0 ÷ 10 bar
M053-P12	R1/8	∅ 50	41,5	10	25	14	0 ÷ 12 bar
M063-P04	R1/4	∅ 63	40,5	12	25	14	0 ÷ 4 bar
M063-P06	R1/4	∅ 63	40,5	12	25	14	0 ÷ 6 bar
M063-P12	R1/4	∅ 63	40,5	12	25	14	0 ÷ 12 bar

**Pressure gauge with rear connection and adjustable red green coloured sector**

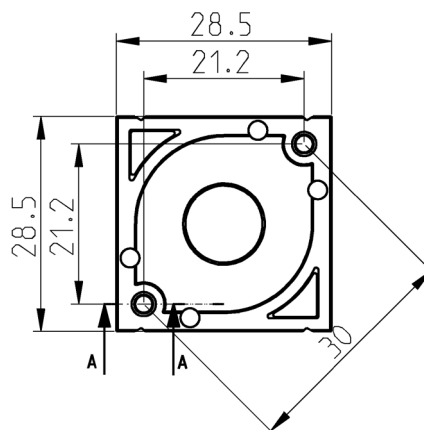
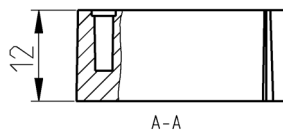


Mod.	A	C	C	D	H	SW	Range
M043-P02,5-GR	R1/8	∅ 38,8	41	10	25	14	0 ÷ 2,5 bar
M043-P04-GR	R1/8	∅ 38,8	41	10	25	14	0 ÷ 4 bar
M043-P12-GR	R1/8	∅ 38,8	41	10	25	14	0 ÷ 12 bar

AIR TREATMENT

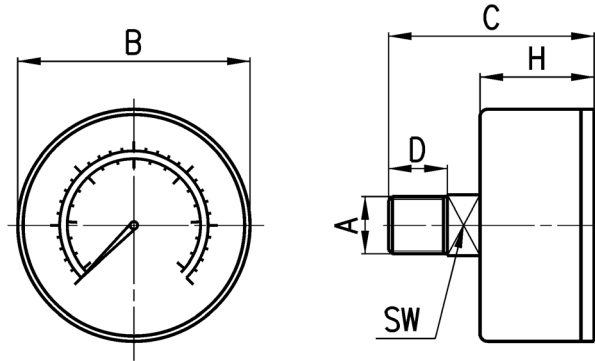
9

**Pressure gauge built in for series MD and MC**



Mod.	Range
MD1-R34/W-P	0 ÷ 4 bar
MD1-R31/W-P	0 ÷ 6 bar
MD1-R32/W-P	0 ÷ 10 bar
MD1-R30/W-P	0 ÷ 12 bar
MD1-AD	Base plate, screws, mounting fitting and O-ring (without pressure gauge)

Pressure gauge with rear connection, reinforced mechanism and throttle screw



Mod.	A	B	C	D	H	SW	Range
M025-P10	G1/8	Ø25	28,5	7	15	11	0÷10 bar
M025-P20	G1/8	Ø25	28,5	7	15	11	0÷16 bar

Built-in pressure gauge

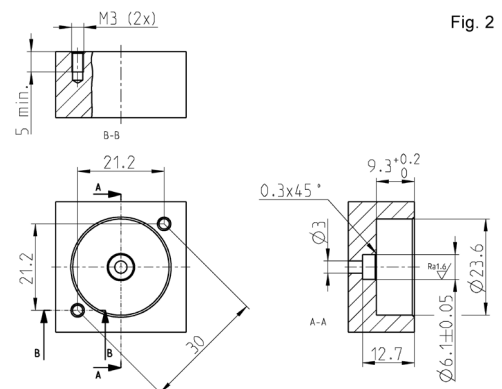
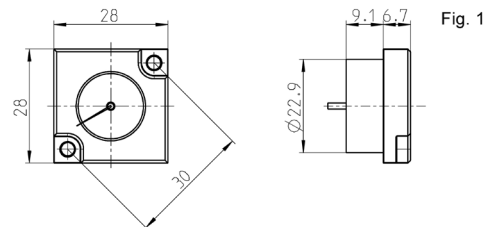


Fig. 1 = Pressure gauge  
Fig. 2 = Seat

Mod.	Range
MX3-R34/W-P	0 ÷ 4 bar
MX3-R31/W-P	0 ÷ 6 bar
MX3-R32/W-P	0 ÷ 10 bar
MX3-R30/W-P	0 ÷ 12 bar