

PRESSURE REGULATORS

SERIES N

Ports G1/8, G1/4



- Knob with closure
- Integral return exhaust (relieving)

Series N pressure regulators are available with G1/4 and G1/8 ports. Their design incorporates a self relieving diaphragm so as to allow decremental adjustments.

General Data

Construction	Diaphragm type
Materials	Brass, technopolymer, NBR
Ports	G1/8 - G1/4
Weight	0,316 Kg
Pressure gauge ports	G1/8
Mounting	In - line or console (in any position)
Working temperature	0 ÷ 16 bar / -5°C ÷ 50°C (with the dew point of the fluid lower than 2°C at the min. working temperature)
Outlet pressure	0,5 ÷ 10 bar (standard), 0,5 ÷ 2 bar; 0,5 ÷ 4 bar e 0,5 ÷ 7 bar
Secondary pressure (relieving)	With relieving (standard) Without relieving
Fluid	Compressed air

PRESSURE REGULATORS
SERIES N - CODING EXAMPLES

Coding Example

N	12	04	-	R	T	0	-
N	SERIES						
12	SIZE 12						
04	PORTS 08 = G1/8 04 = G1/4						
R	REGULATOR						
T	OPERATING PRESSURE 0 = 0,5 ÷ 10 bar (standard) 1 = 0,5 ÷ 4 bar 2 = 0,5 ÷ 2 bar 7 = 0,5 ÷ 7 bar T = Calibrated * B = Locked *						
0	DESIGN TYPE 0 = Self-relieving 1 = Non-relieving						

* If the regulator is calibrated or locked, after the design type add the inlet pressure "■" and the outlet pressure "●"

INLET PRESSURE:

■ = Enter the SUPPLY pressure value

OUTLET PRESSURE:

● = Enter the OUTLET pressure value for the LOCKED regulator or the maximum value of the ADJUSTABLE pressure for the CALIBRATED regulator

Example of a calibrated regulator with Inlet Pressure = 6,3 bar and Outlet Pressure = 4,5 bar
Complete part number: N1204-RT0-6,3-4,5

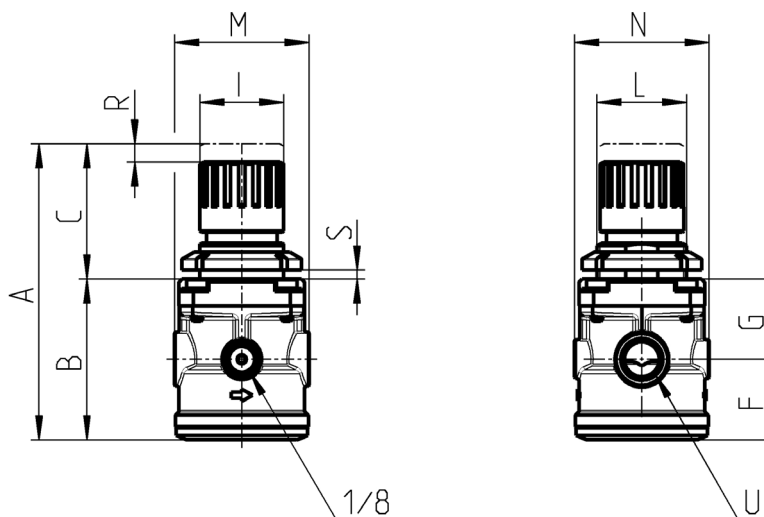
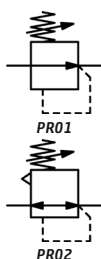
AIR TREATMENT

9

Pressure regulators Series N

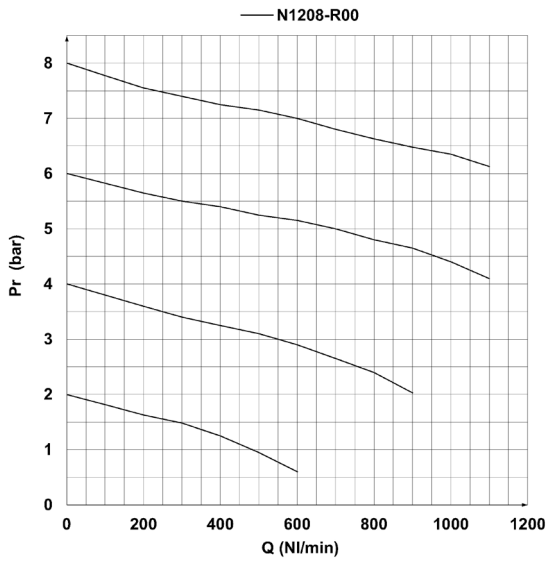
Calibrated or blocked regulators on request

PR01 = Regulator without relieving
PR02 = Regulator with relieving



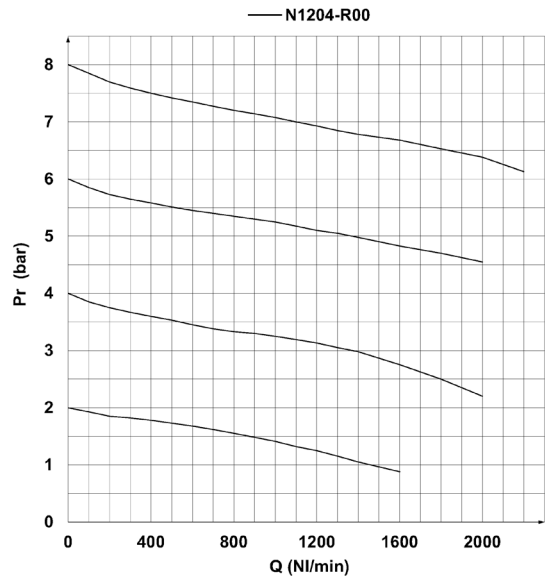
Mod.	A	B	C	F	G	I	L	M	N	R	S	U
N1208-R00	92	53	39	26	27	28	30x1,5	45	45	3	0 ÷ 6	G1/8
N1204-R00	92	53	39	26	27	28	30x1,5	45	45	3	0 ÷ 6	G1/4

Flow diagrams



Flow diagram for model: N1208-R00

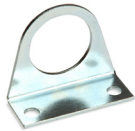
Pa = Inlet pressure (bar)
Pr = Regulated pressure (bar)
Q = Flow (NL/min)



Flow diagram for model: N1204-R00

Pa = Inlet pressure (bar)
Pr = Regulated pressure (bar)
Q = Flow (NL/min)

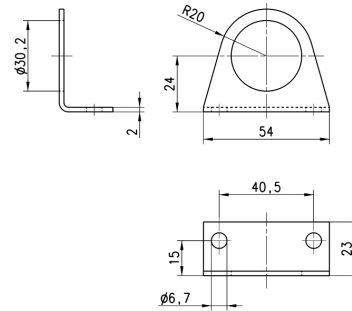
Mounting bracket Mod. C114-ST



For regulators and filter-regulators (G1/4 - G1/8)

Material:
zinc-plated steel

Supplied with:
1x bracket



Mod.
C114-ST

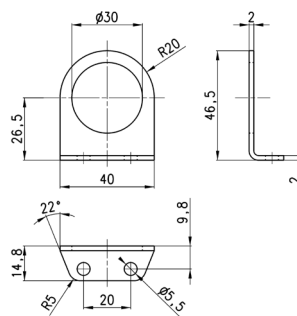
Mounting bracket Mod. C114-ST/1



For regulators and filter-regulators (G1/4 - G1/8)

Material:
zinc-plated steel

Supplied with:
1x bracket



Mod.
C114-ST/1

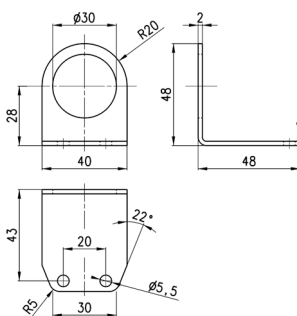
Mounting bracket Mod. C114-ST/2



For regulators and filter-regulators (G1/4 - G1/8)

Material:
zinc-plated steel

Supplied with:
1x bracket



Mod.
C114-ST/2

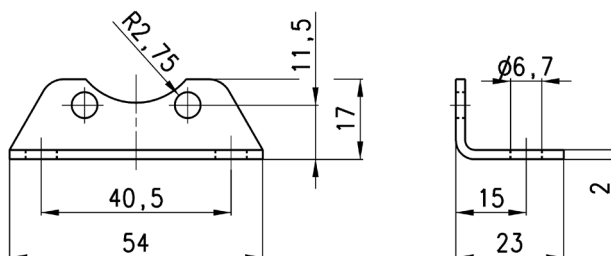
Mounting bracket Mod. N204-ST



For filters and lubricators

Materials: zinc-plated steel
bracket and screws

The kit is supplied with:
1x bracket
2x screws MSX6



Mod.
N204-ST