

# LUBRICATORS

## SERIES N

Ports G1/8, G1/4



- Available with: transparent PA12 bowl or nickelplated brass bowl for the small version (N1)

Series N lubricators are available with G1/4 and G1/8 ports.

The special type of design allows a vast range of applications in relation to the amount of atomized oil and the air consumed.

The body is made of brass, whilst the bowl can be in transparent PA12 or in nickelplated brass. The version with metal bowl is particularly suitable for applications subject to impacts or in the presence of aggressive agents that could damage the PA12 bowl.

### General Data

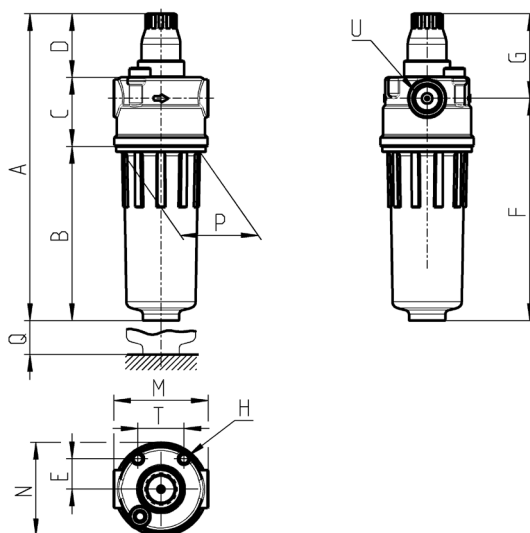
<b>Construction</b>	Modular, compact
<b>Materials</b>	Brass, transparent PA12 or nickel-plated brass, NBR
<b>Ports</b>	G1/8 - G1/4
<b>Oil capacity</b>	26 cm <sup>3</sup> (bowl size = 1) 37 cm <sup>3</sup> (bowl size = 2)
<b>Weight</b>	0,240 kg
<b>Mounting</b>	Vertical, inline
<b>Working temperature</b>	1 ÷ 16 bar / -5°C ÷ 50°C (with the dew point of the fluid lower than 2°C at the min. working temperature)
<b>Oil refilling</b>	Without pressure
<b>Oil for lubricator</b>	Use ISO VG32 oils. Once applied, the lubrication should never be interrupted
<b>Nominal flow</b>	See FLOW DIAGRAMS on the following pages
<b>Min. air consumption for lubrication</b>	At 1 bar = 7.5 NL/min At 6 bar = 11 NL/min
<b>Fluid</b>	Compressed air

**LUBRICATORS**  
**SERIES N - CODING EXAMPLES**
**Coding Example**

<b>N</b>	<b>2</b>	<b>04</b>	<b>-</b>	<b>L</b>	<b>00</b>	<b>-</b>
<b>N</b>	SERIES					
<b>2</b>	SIZE 1 = Small bowl (26 cm <sup>3</sup> ) 2 = Normal bowl (37 cm <sup>3</sup> )					
<b>04</b>	PORTS 08 = G1/8 04 = G1/4					
<b>L</b>	LUBRICATOR					
<b>00</b>	DESIGN TYPE 00 = Atomized oil					
BOWL MATERIAL = Transparent PA12 (standard) TM = Nickel-plated brass (only in the small size)						

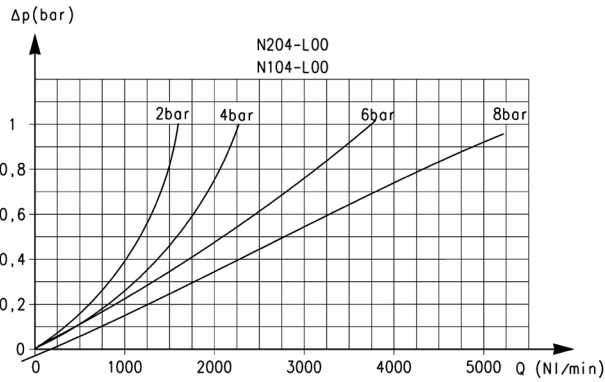
**Lubricators Series N**

LU0 = Lubricator



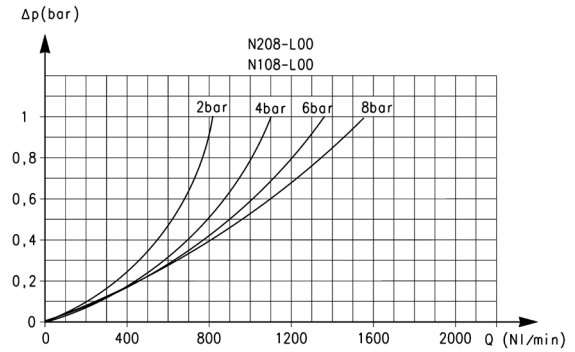
Mod.	A	B	C	D	E	F	G	H	M	N	P	Q	T	U
<b>N108-L00</b>	122,5	59	33	30,5	14,5	82	40,5	M5	45	44,5	38	46,5	22	G1/8
<b>N104-L00</b>	122,5	59	33	30,5	14,5	82	40,5	M5	45	44,5	38	46,5	22	G1/4
<b>N208-L00</b>	146,5	83	33	30,5	14,5	106	40,5	M5	45	44,5	38	46,5	22	G1/8
<b>N204-L00</b>	146,5	83	33	30,5	14,5	106	40,5	M5	45	44,5	38	46,5	22	G1/4

## Flow diagrams



Flow diagrams for models: N204-L00 and N104-L00

$\Delta P$  = Pressure drop (bar)  
Q = Flow (NL/min)

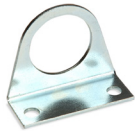


Flow diagrams for models: N208-L00 and N108-L00

$\Delta P$  = Pressure drop (bar)  
Q = Flow (NL/min)

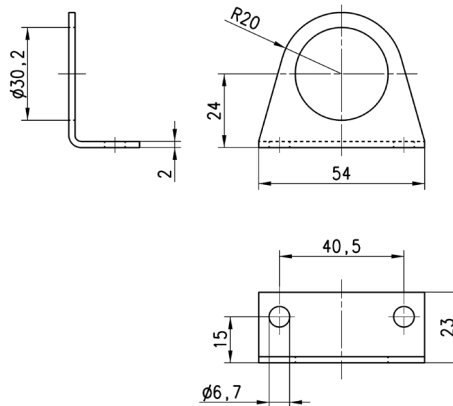
## Mounting bracket Mod. C114-ST

For regulators and filter-regulators (G1/4 - G1/8)



Supplied with:  
1x bracket

**Material:**  
zinc-plated steel



<b>Mod.</b>
C114-ST

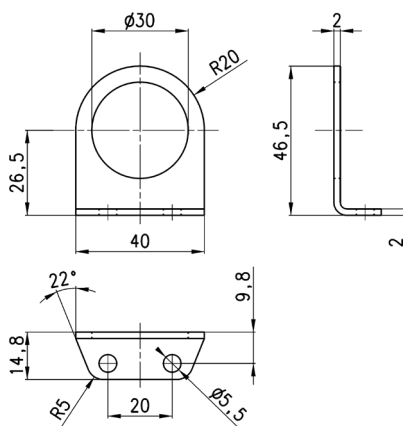
### Mounting bracket Mod. C114-ST/1

For regulators and filter-regulators (G1/4 - G1/8)



Supplied with:  
 1x bracket

**Material:**  
 zinc-plated steel



<b>Mod.</b>
C114-ST/1

AIR TREATMENT

9

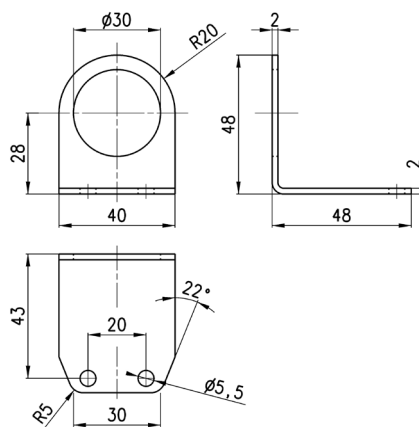
### Mounting bracket Mod. C114-ST/2

For regulators and filter-regulators (G1/4 - G1/8)



Supplied with:  
 1x bracket

**Material:**  
 zinc-plated steel



<b>Mod.</b>
C114-ST/2

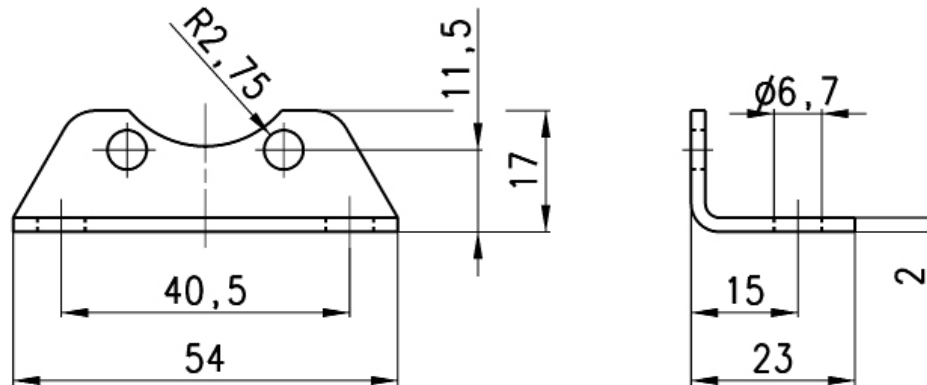
## Mounting bracket Mod. N204-ST

For filters and lubricators



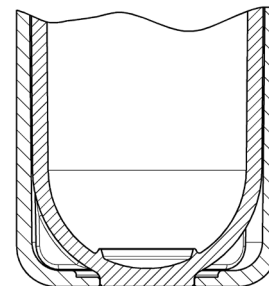
The kit is supplied with:  
 1x bracket  
 2x screws M5X6

**Materials:**  
 zinc-plated steel bracket  
 and screws



Mod.  
 N204-ST

## Closed bowl



Mod. filter	Closed bowl
N20...-FCA	N2-L71
MC104-FCA	MC1-L71
MC202-FCA	MC2-L71
MC238-FCA	MC2-L71
MX2...-FCA	MX2-L2-P
MX3...-FCA	MX3-L2-P
MD1-FCA..	MD1-FCASP01