

FILTERS

SERIES N

Ports: G1/8, G1/4



- Available with: transparent PA12 bowl or nickelplated brass bowl for the small version (N1)
- Quality of delivered air according to ISO 8573-1:2010 from Class [7:8:4] to Class [6:8:4]

Series N filters are available with G1/8 and G1/4 gas ports.
The models are available with 2 different filtering elements: 25 and 5

The version with semi-automatic manual drain is equipped with a transparent bowl that makes the monitoring of the condensate level very easy.

The version with metal bowl is particularly suitable for applications subject to impacts or in the presence of aggressive agents that could damage the PA12 bowl.

General Data

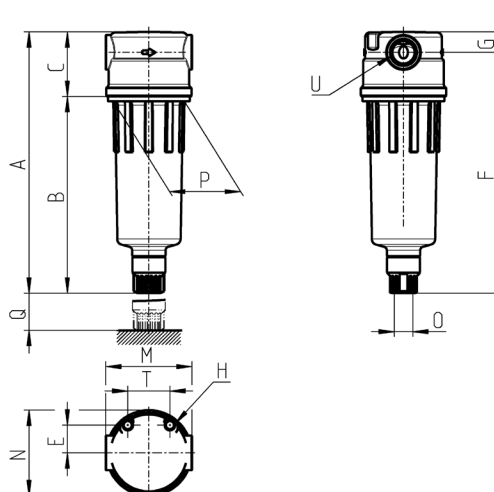
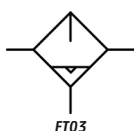
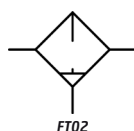
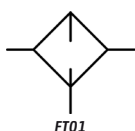
Construction	HDPE, coalescing and activated carbon filtering element
Materials	Brass, transparent PA12 or nickel-plated brass, NBR
Ports	G1/8 - G1/4
Max condensate capacity	11 cm ³ (bowl size = 1) 28 cm ³ (bowl size = 2)
Weight	0,220 kg
Mounting	Vertical, inline
Working temperature	-5°C ÷ 50°C at 10 bar (with the dew point of the fluid lower than 2°C at the min. working temperature)
Quality of delivered air according to ISO 8573-1:2010	Class [7:8:4] with 25 µm filtering element Class [6:8:4] with 5 µm filtering element Class [1:8:1] with 0,01 µm filtering element Classe [1:7:1] with activated carbon filtering element
Draining of condensate	See the coding example
Fluid	Compressed air
Pre-filtering	It is recommended to use a filter with residual oil of 0,01mg/m ³

FILTERS
SERIES N - CODING EXAMPLES
Coding Example

N	2	04	-	F	0	0	-
N	SERIES						
2	SIZE 1 = Small bowl (11 cm ³) 2 = Normal bowl (28 cm ³)						
04	PORTS 08 = G1/8 04 = G1/4						
F	FILTER						
0	FILTERING ELEMENT 0 = 25µm (standard) 1 = 5µm						
0	DRAINING OF CONDENSATE 0 = Semi-automatic manual drain 4 = Depressurisation (normal bowl only) 5 = Protected depressurisation (normal bowl only) 8 = No drain, direct G1/8 exhaust 9 = Closed bowl						
	BOWL MATERIAL = Transparent PA12 (standard) TM = Nickel-plated brass (only in the small size with semi-automatic manual drain or without drain, port 1/8)						

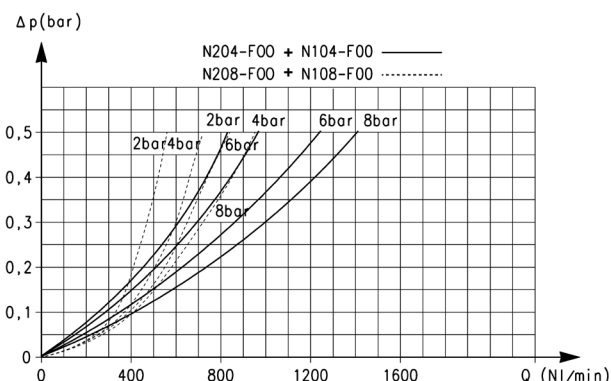
Filters Series N


FT01 = Filter without drain with threaded port
 FT02 = Filter with semiautomatic manual drain
 FT03 = Filter with automatic/depression drain



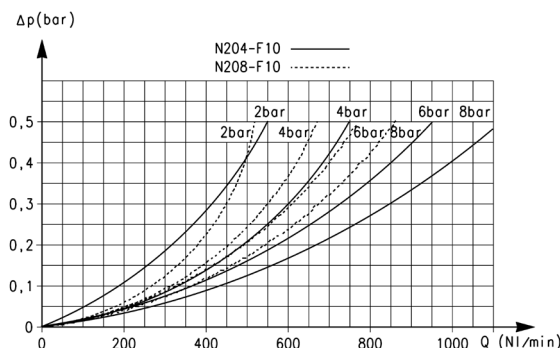
Mod.	A	B	C	E	F	G	H	M	N	O	P	Q	T	U
N108-F00	111	78	33	14,5	101	10	M5	45	44,5	G1/8	38	40	22	G1/8
N104-F00	111	78	33	14,5	101	10	M5	45	44,5	G1/8	38	40	22	G1/4
N208-F00	135	102	33	14,5	125	10	M5	45	44,5	G1/8	38	40	22	G1/8
N204-F00	135	102	33	14,5	125	10	M5	45	44,5	G1/8	38	40	22	G1/4
N108-F19-OX1	93	59	33	14,5	82	10	M5	45	44,5	-	38	69	22	G1/8
N104-F19-OX1	93	59	33	14,5	82	10	M5	45	44,5	-	38	69	22	G1/4

Flow diagrams



Flow diagram for models:
N204-F00 - N104-F00 = ———
N208-F00 - N108-F00 = - - - - -

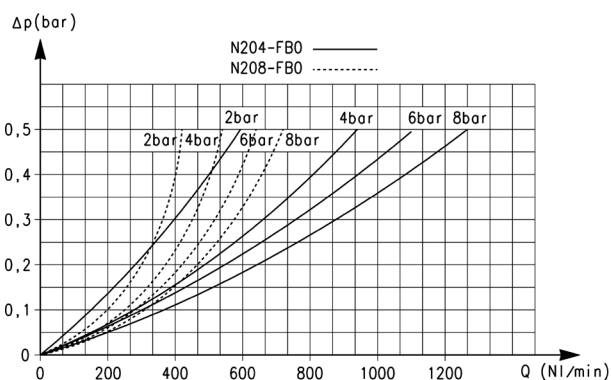
ΔP = Pressure drop (bar)
Q = Flow (NI/min)



Flow diagram for models:
N204-F10 = ———
N208-F10 = - - - - -

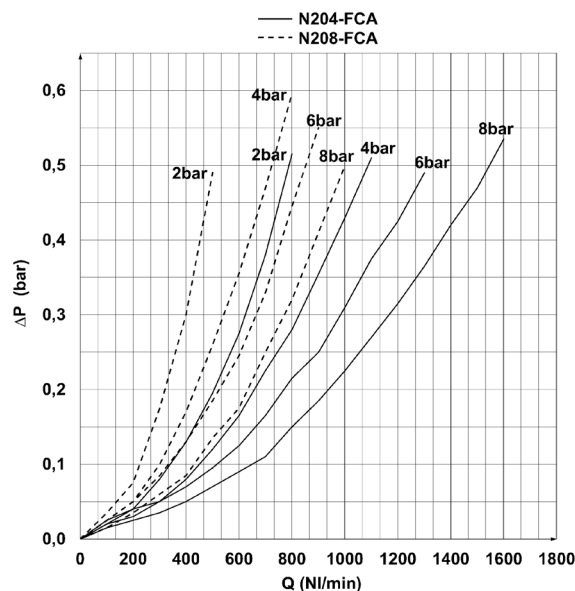
ΔP = Pressure drop (bar)
Q = Flow (NI/min)

Flow diagrams



Flow diagram for models:
N204-FB0 = ———
N208-FB0 = - - - - -

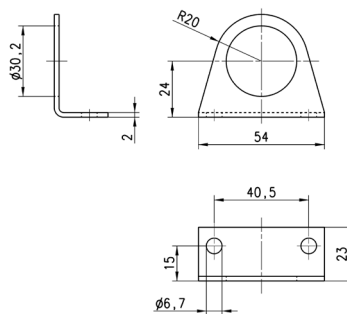
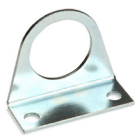
ΔP = Pressure drop (bar)
Q = Flow (NI/min)



Flow diagram for models:
N204-FCA = ———
N208-FCA = - - - - -

ΔP = Pressure drop (bar)
Q = Flow (NI/min)

Mounting bracket Mod. C114-ST



For regulators and filter-regulators (G1/4 - G1/8)

Material:
zinc-plated steel

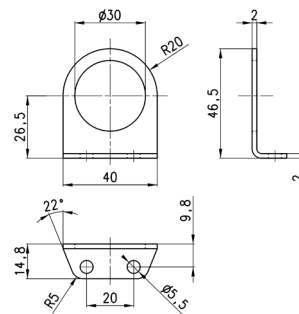
Supplied with:
1x bracket

Mod.
C114-ST

AIR TREATMENT

9

Mounting bracket Mod. C114-ST/1



For regulators and filter-regulators (G1/4 - G1/8)

Material:
zinc-plated steel

Supplied with:
1x bracket

Mod.
C114-ST/1

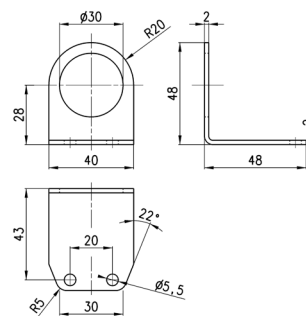
Mounting bracket Mod. C114-ST/2



For regulators and filter-regulators (G1/4 - G1/8)

Material:
zinc-plated steel

Supplied with:
1x bracket



Mod.
C114-ST/2

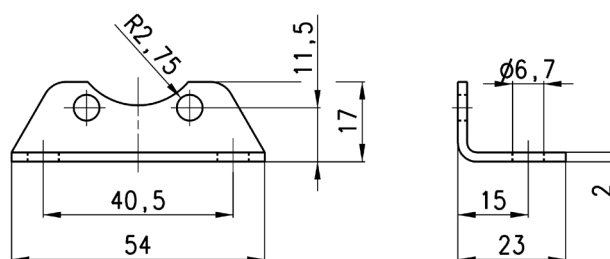
Mounting bracket Mod. N204-ST



For filters and lubricators

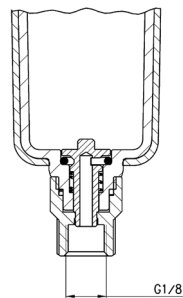
Materials: zinc-plated steel
bracket and screws

The kit is supplied with:
1x bracket
2x screws M5X6



Mod.
N204-ST

Semi-automatic manual drain Type 0

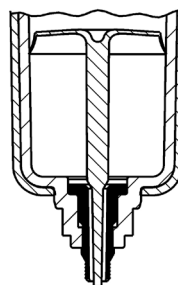


Mod. filter	Bowl with semiautomatic manual drain
N10...-F	N1-F71
N10...-D	N1-F71
N10...-FB	N1-F71
N20...-F	N2-F71
N20...-D	N2-F71
N20...-FB	N2-F71
MC104-F	MC1-F71
MC104-D	MC1-F71
MC104-FB	MC1-F71
MC202-F	MC2-F71
MC202-D	MC2-F71
MC202-FB	MC2-F71
MC238-F	MC2-F71
MC238-D	MC2-F71
MC238-FB	MC2-F71
MX2...-F	MX2-F2-P
MX2...FR	MX2-F2-P
MX2...-FC	MX2-F2-P
MX3...-F	MX3-F2-P
MX3...-FR	MX3-F2-P
MX3...-FC	MX3-F2-P
MD1-F0..	MD1-FSP01
MD1-F1..	MD1-FSP04
MD1-FR0..	MD1-FSP01
MD1-FR1..	MD1-FSP04
MD1-FC0..	MD1-FCSP01
MD1-FC1..	MD1-FCSP04

AIR TREATMENT

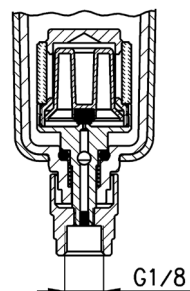
9

Depressurisation drain (Type 4)



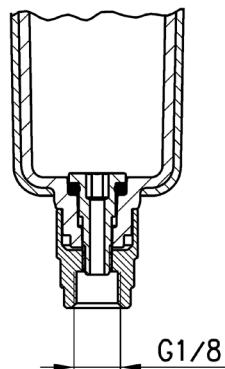
Mod. filter	Bowl with depressurization drain
N20...-F	N2-F71/2
N20...-D	N2-F71/2
N20...-FB	N2-F71/2
MC104-F	MC1-F71/2
MC104-D	MC1-F71/2
MC104-FB	MC1-F71/2

Depressurisation drain, protected (Type 5)



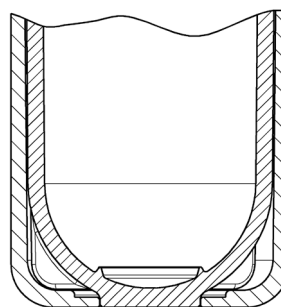
Mod. filter	Bowl with depressurization drain, protected
N20...-F	N2-F71/1
N20...-D	N2-F71/1
N20...-FB	N2-F71/1
MC104-F	MC1-F71/1
MC104-D	MC1-F71/1
MC104-FB	MC1-F71/1
MC202-F	MC2-F71/1
MC202-D	MC2-F71/1
MC202-FB	MC2-F71/1
MC238-F	MC2-F71/1
MC238-D	MC2-F71/1
MC238-FB	MC2-F71/1
MX2...-F	MX2-F2/3-P
MX2...FR	MX2-F2/3-P
MX2...-FC	MX2-F2/3-P
MX3...-F	MX3-F2/3-P
MX3...-FR	MX3-F2/3-P
MX3...-FC	MX3-F2/3-P
MD1-F0..	MD1-FSP03
MD1-F1..	MD1-FSP06
MD1-FR0..	MD1-FSP03
MD1-FR1..	MD1-FSP06
MD1-FC0..	MD1-FCSP03
MD1-FC1..	MD1-FCSP06

Bowl without drain (Type 8)



Mod. filter	Bowl without drain (1/8 port)
N10...-F	N1-F71-1/8
N10...-D	N1-F71-1/8
N10...-FB	N1-F71-1/8
N20...-F	N2-F71-1/8
N20...-D	N2-F71-1/8
N20...-FB	N2-F71-1/8
MC104-F	MC1-F71-1/8
MC104-D	MC1-F71-1/8
MC104-FB	MC1-F71-1/8
MC202-F	MC2-F71-1/8
MC202-D	MC2-F71-1/8
MC202-FB	MC2-F71-1/8
MC238-F	MC2-F71-1/8
MC238-D	MC2-F71-1/8
MC238-FB	MC2-F71-1/8
MX2...-F	MX2-F2/2-P
MX2...-FR	MX2-F2/2-P
MX2...-FC	MX2-F2/2-P
MX3...-F	MX3-F2/2-P
MX3...-FR	MX3-F2/2-P
MX3...-FC	MX3-F2/2-P
MD1-F0..	MD1-FSP02
MD1-F1..	MD1-FSP05
MD1-FR0..	MD1-FSP02
MD1-FR1..	MD1-FSP05
MD1-FC0..	MD1-FCSP02
MD1-FC1..	MD1-FCSP05

Closed bowl



Mod. filter	Closed bowl
N20...-FCA	N2-L71
MC104-FCA	MC1-L71
MC202-FCA	MC2-L71
MC238-FCA	MC2-L71
MX2...-FCA	MX2-L2-P
MX3...-FCA	MX3-L2-P
MD1-FCA..	MD1-FCASP01

Surface filtersac



Mod. filter	Filtering element 25 μ
N10...-F	C104-F20/3
N10...-D	C104-F20/3
N20...-F	C104-F20/3
N20...-D	C104-F20/3
MC104-F	C104-F20/3
MC104-D	C104-F20/3
MC202-F	C238-F11/3
MC202-D	C238-F11/3
MC238-F	C238-F11/3
MC238-D	C238-F11/3
MX2...-F	C238-F11/3
MX2...FR	C238-F11/3
MX3...-F	MX3-F7
MX3...-FR	MX3-F7
MD1-F0..*	C104-F20/3
MD1-FR0..*	C104-F20/3

Surface filters



Mod. filter	Filtering element 5 μ
N10...-F	C104-F21/3
N10...-D	C104-F21/3
N20...-F	C104-F21/3
N20...-D	C104-F21/3
MC104-F	C104-F21/3
MC104-D	C104-F21/3
MC202-F	C238-F12/3
MC202-D	C238-F12/3
MC238-F	C238-F12/3
MC238-D	C238-F12/3
MX2...-F	C238-F12/3
MX2...FR	C238-F12/3
MX3...-F	MX3-F8
MX3...-FR	MX3-F8
MD1-F1..*	C104-F21/3
MD1-FR1..*	C104-F21/3