

# ACTIVATED CARBON FILTERS

## SERIES MX

MX2 ports: G3/8, G1/2, G3/4 - MX3 ports: G3/4, G1  
 Modular  
 Bowl with technopolymer cover and bayonet-type mounting



- Removal of compressed air oil, liquid, and gas components through the activated carbon
- Quality of delivered air according to ISO 8573-1:2010, Class [1:7:1]
- Bowl locking system reducing the risk of accidents
- Visual blockage indicator

MX is the new series of air treatment components realized by Camozzi, characterized by a modern, linear and compact design, offering high performances. The perfect integration between metal alloys and technopolymers has allowed the realization of a reliable product, light and strong at the same time. Thanks to a new concept of modularity, moreover, the mounting of components has become easier.

The Series MX has been realized to offer a multi-sector solution that guarantees saving in terms of installation time, space and costs.

### General Data

<b>Construction</b>	Modular, compact with activated carbon filtering element
<b>Materials</b>	See TABLE OF MATERIALS on the following page
<b>Ports</b>	MX2: G3/8 - G1/2 - G3/4 MX3: G3/4 - G1
<b>Mounting</b>	Vertical in-line Wall-mounting (by means of clamps)
<b>Working temperature</b>	10°C ÷ 40°C (t max = 60°C)
<b>Quality of delivered air according to ISO 8573-1:2010</b>	Class [1:7:1]
<b>Draining of condensate</b>	No draining
<b>Nominal flow</b>	See FLOW DIAGRAMS on the following pages
<b>Filtering element</b>	Activated carbon
<b>Residual oil content</b>	< 0,003 mg/m <sup>3</sup>
<b>Fluid</b>	Compressed air
<b>Pre-filtering</b>	It is recommended to use a filter with residual oil of 0,01mg/m <sup>3</sup>

**ACTIVATED CARBON FILTERS**  
**SERIES MX - CODING EXAMPLES**
**Coding Example**

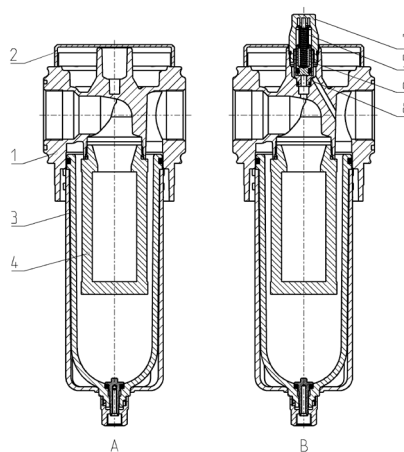
<b>MX</b>	<b>2</b>	<b>-</b>	<b>1/2</b>	<b>-</b>	<b>FCA</b>	<b>1</b>	<b>-</b>	<b>LH</b>
<b>MX</b>	SERIES							
<b>2</b>	SIZE 2 = G3/8 - G1/2 - G3/4 3 = G3/4 - G1							
<b>1/2</b>	PORT 1/2 = G1/2 3/4 = G3/4 1 = G1							
<b>FCA</b>	ACTIVATED CARBON FILTER							
<b>1</b>	VISUAL BLOCKAGE INDICATOR = Not present 1 = Present							
<b>LH</b>	FLOW DIRECTION = From left to right (standard) LH = From right to left							

For the assembly of a single component with fixing flanges or wall-mounting, see the section "FRL Series MX Assembled".

**Activated carbon filters Series MX - materials**

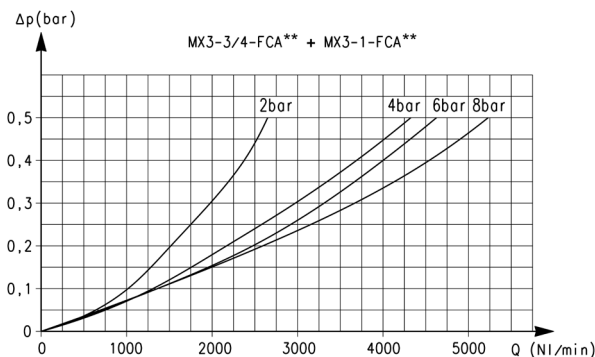
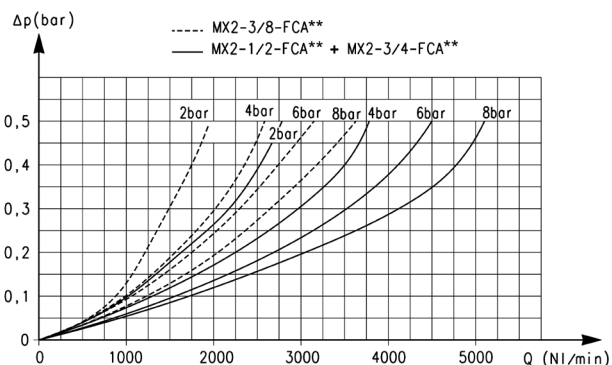
A = Filter

B = Filter with visual blockage indicator



Parts	Materials
1 = Body	Aluminium
2 = Covering	Polyacetal
3 = Bowl / bowl cover	Polycarbonate/Polyamide
4 = Filtering element	Activated carbon
5 = Upper spring	Stainless steel
6 = Piston	Anodized aluminium
7 = Viewer	Polycarbonate
8 = Indicator body	Brass
Seals	NBR

### Flow diagrams



\* Reference diagram for MX2

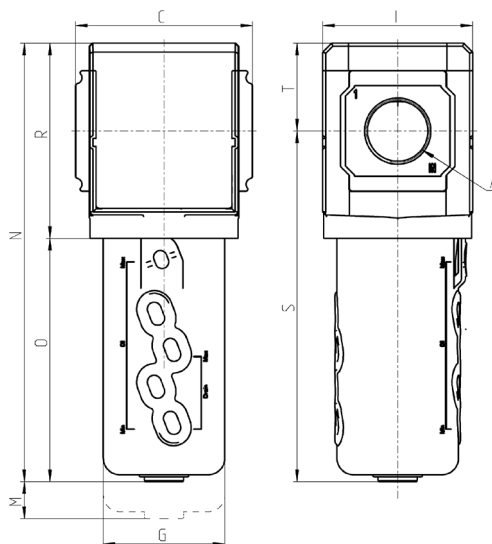
Δp = Pressure drop (bar)  
Q = Flow (NL/min)

\*\* Reference diagram for MX3

Δp = Pressure drop (bar)  
Q = Flow (NL/min)

### Activated carbon filters Series MX - dimensions

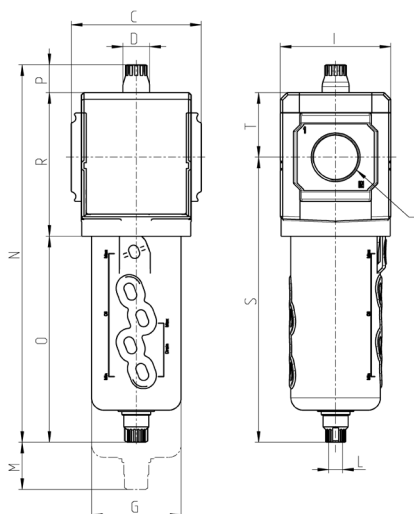
FC01 = Activated carbon filter



Mod.	A	C	G	I	M	N	O	R	S	T	Weight [kg]
MX2-3/8-FCA	G3/8	70	55,3	68	89,5	189,5	104,5	85	152	37,5	0,5
MX2-1/2-FCA	G1/2	70	55,3	68	89,5	189,5	104,5	85	152	37,5	0,5
MX2-3/4-FCA	G3/4	70	55,3	68	89,5	189,5	104,5	85	152	37,5	0,5
MX3-3/4-FCA	G3/4	89,5	61,5	76	107	222	123	99	177,5	44,5	0,8
MX3-1-FCA	G1	89,5	61,5	76	107	222	123	99	177,5	44,5	0,8

**ACTIVATED CARBON FILTERS**  
**SERIES MX - DIMENSIONS**
**Activated carbon filters Series MX - dimensions**

FC02 = Activated carbon filter with visual blockage indicator



Mod.	A	C	D	G	I	M	N	O	P	R	S	T	Weight [kg]
MX2-3/8-FCA1	G3/8	70	18,5	55,3	68	115	208,5	104,5	19,5	85	152	37,5	0,5
MX2-1/2-FCA1	G1/2	70	18,5	55,3	68	115	208,5	104,5	19,5	85	152	37,5	0,5
MX2-3/4-FCA1	G3/4	70	18,5	55,3	68	115	208,5	104,5	19,5	85	152	37,5	0,5
MX3-3/4-FCA1	G3/4	89,5	18,5	61,5	76	130	241	123	19,5	99	177,5	44,5	0,8
MX3-1-FCA1	G1	89,5	18,5	61,5	76	130	241	123	19,5	99	177,5	44,5	0,8

AIR TREATMENT

9

**Rapid clamp kit**

**Materials:**  
 Technopolymer clamp, NBR O-ring, zinc-plated steel nuts and screws.

 The MX2-X kit is supplied with:  
 1x Rapid clamp,  
 1x O-ring OR 3125 \*;  
 2x Hexagonal nuts M5;  
 2x Screws M5x69.

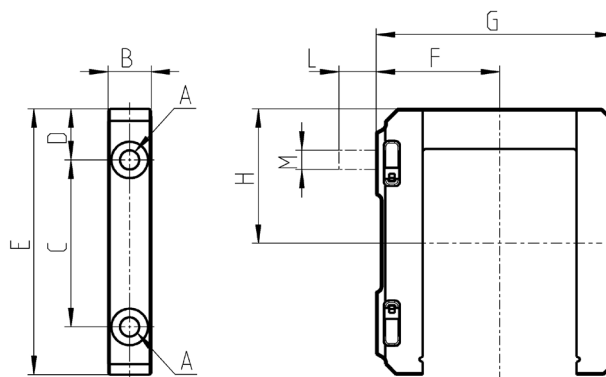
 The MX2-Z kit is supplied with:  
 1x Rapid clamp,  
 1x O-ring OR 3125 \*;  
 1x Hexagonal nut M5;  
 1x Screw M5x69;  
 1x Screw M5x85 for wall fixing.

\*It can be ordered separately (cod. 160-39-11/19).

 The MX3-X kit is supplied with:  
 1x Rapid clamp,  
 1x O-ring OR 38X2,8 \*\*;  
 2x Square nuts M6;  
 2x Screws M6x75.

 The MX3-Z kit is supplied with:  
 1x Rapid clamp,  
 1x O-ring OR 38X2,8 \*\*;  
 1x Square nut M6,  
 1z Screw M6x75;  
 1x Screw M6x90 for wall fixing.

\*\*It can be ordered separately (OR 38X2,8 NBR).



Mod.	A	B	C	D	E	F	G	H	L	M	Notes
MX2-X	5,2	12	46	14	73,5	37,5	70,5	37	-	-	
MX2-Z	5,2	12	46	14	73,5	37,5	70,5	37	14	M5	Kit with wall fixing screw
MX3-X	6,2	14	54	16,5	86	40	77	43,5	-	-	
MX3-Z	6,2	14	54	16,5	86	40	77	43,5	13	M6	Kit with wall fixing screw

## Rapid clamp kit with wall fixing brackets



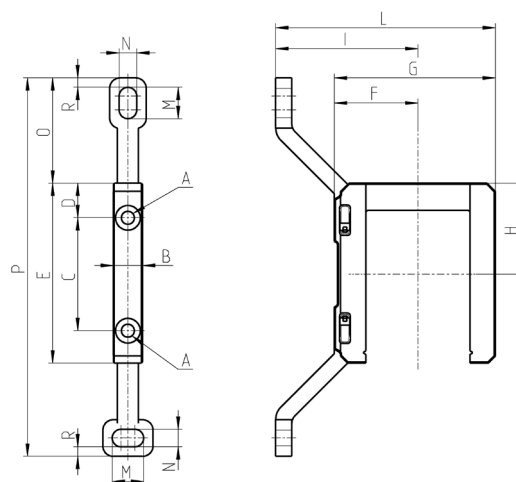
**Materials:**  
technopolymer clamp, NBR  
O-ring, zinc-plated steel  
nuts and screws.

The MX2-Y kit is supplied with:  
1x rapid wall clamp;  
1x O-ring OR 3125 \*\*;  
2x hexagonal nuts;  
2x screws M5x69.

\*\* It can be ordered separately (cod. 160-39-11/19).

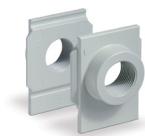
The kit MX3-Y is supplied with:  
1x wall rapid clamp;  
1x O-ring 38X2,8 \*\*;  
2x square nuts M6;  
2x screws M6x75.

\*\* It can be also separately ordered (OR 38X2,8 NBR).



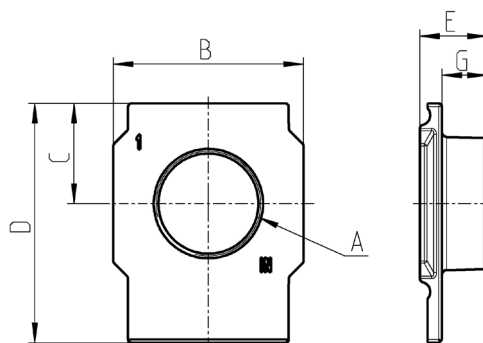
Mod.	A	B	C	D	E	F	G	H	I	L	M	N	O	P	R
MX2-Y	5,2	12	46	14	73,5	32,5	70,5	37	70,5	103	12	6,5	42	152	4
MX3-Y	6,2	14	54	16,5	86	40	77	43,5	68	105	15	8,4	50,5	181	4,5

## Terminal flanges (IN/OUT)



**Materials:**  
painted aluminium flanges.

Supplied with:  
1x flange INLET side  
1x flange OUTLET side

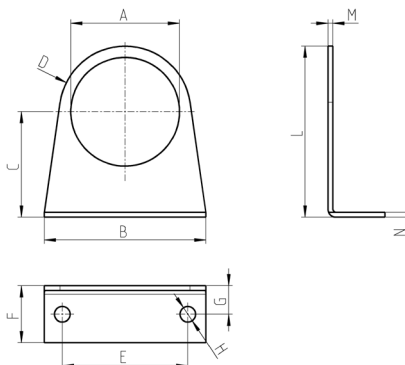


Mod.	A	B	C	D	E	G
MX2-3/8-FL	G3/8	50	26,5	63,5	17	11
MX2-1/2-FL	G1/2	50	26,5	63,5	17	11
MX2-3/4-FL	G3/4	50	26,5	63,5	17	11
MX3-3/4-FL	G3/4	58	30,5	73	20,5	13,5
MX3-1-FL	G1	58	30,5	73	20,5	13,5

## Fixing bracket for regulators



Supplied with:  
1x zinc-plated steel bracket

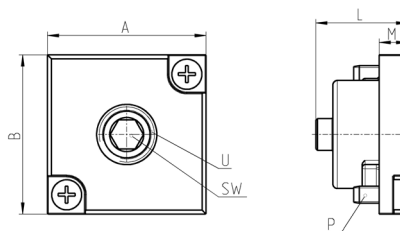


Mod.	A	B	C	D	E	F	G	H	L	M	N
MX2-S	Ø47,2	73	60,5	R29,5	54	25	15	Ø6,2	90	2,5	2,5
MX3-S	Ø57,2	85	55,5	R34,5	66	30	15	Ø8,2	90	2,5	2,5

## Block for pressure gauge fixing



Supplied with:  
1x block  
1x grain  
2x screws  
1x seal

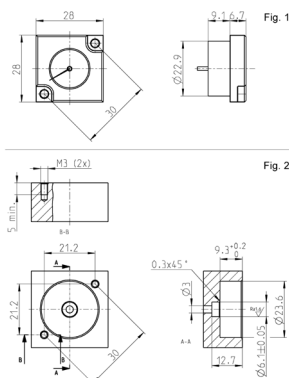


Mod.	A	B	L	M	P	U	SW
MX2-R26/1-P	28	28	16,5	5	M3x7	1/8	5
MX3-R26/1-P	28	28	16,5	5	M3x7	1/4	6

## Built-in pressure gauge

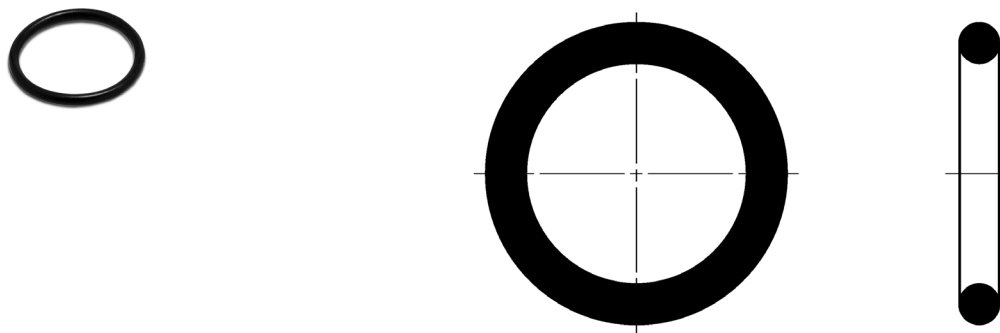


Supplied with:  
1x pressure gauge  
1x seal  
2x screws



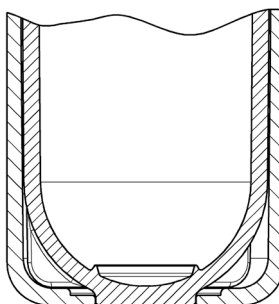
Mod.	Range
MX3-R34/W-P	0 ÷ 4 bar
MX3-R31/W-P	0 ÷ 6 bar
MX3-R32/W-P	0 ÷ 10 bar
MX3-R30/W-P	0 ÷ 12 bar

### O-ring for assembling



Mod.	O-ring	For assembly
160-39-11/19	OR 3125	MX2
OR 38x2,8 NBR	OR 38x2,8	MX3

### Closed bowl



Mod. filter	Closed bowl
N20...-FCA	N2-L71
MC104-FCA	MC1-L71
MC202-FCA	MC2-L71
MC238-FCA	MC2-L71
MX2..-FCA	MX2-L2-P
MX3..-FCA	MX3-L2-P
MD1-FCA..	MD1-FCASP01

### Activated carbon filter



Mod. filter	Activated carbon
N20...-FCA	MX1-F11
MC104-FCA	MX1-F11
MC202-FCA	MX2-F11
MC238-FCA	MX2-F11
MX2..-FCA	MX2-F11
MX3..-FCA	MX3-F11
MD1-FCA..*	MD1-F11