

# TAKE-OFF BLOCKS

## SERIES MD

Module with interchangeable cartridges: threaded (1/8, 1/4, 3/8) or integrated with super-rapid fitting for tube with  $\varnothing$  6, 8 and 10 mm (5 outlets)  
Intermediate junction cartridge (3 outlets)  
Intermediate junction cartridge with non-return valve



- Compact design
- Utilities orientation
- Cartridge with nonreturn valve function
- Power supply block for treatment units mounted on opposite sides

The take-off block can be positioned as desired among the other blocks of the air treatment unit and allows to draw in air from different sides. The intermediate cartridge, that can also be supplied with a non-return valve, enables to draw in a reduced quantity of air. The take-off block enables to connect two air treatment units that can be mounted on both sides of the block.

### General Data

<b>Construction</b>	Modular, compact
<b>Ports - Take-off block</b>	With interchangeable cartridges: 1/8, 1/4 and 3/8 threaded or integrated with super-rapid fitting for tube with $\varnothing$ 6, 8 and 10 mm
<b>Ports - Joining cartridge with derivation</b>	3/8
<b>Ports - Joining cartridge with VNR</b>	3/8
<b>Derivations - Joining cartridge</b>	2x1/8 + 1x3/8
<b>Fixing - Take-off block</b>	In-line Wall-mounting by means of through holes in the body or with a support bracket
<b>Working temperature</b>	-5°C ÷ 50°C
<b>Working pressure</b>	0 ÷ 16 bar
<b>Nominal flow at 6 bar with <math>\Delta p = 1</math> bar</b>	MD1-B00-1/8 = 1300 NL/min MD1-B00-1/4 = 2300 NL/min MD1-B00-3/8 = 3400 NL/min
<b>Fluid</b>	Compressed air

## TAKE-OFF BLOCKS

## SERIES MD - CODING EXAMPLES

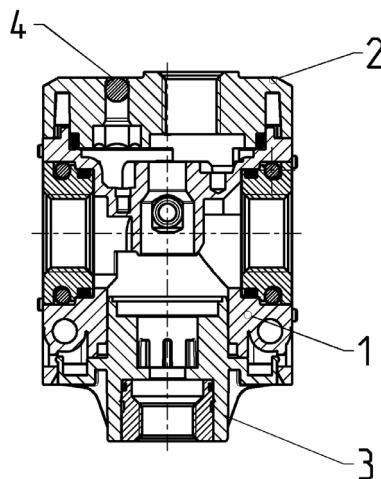
## Coding Example

<b>MD</b>	<b>1</b>	<b>-</b>	<b>B</b>	<b>00</b>	<b>-</b>	<b>1/8</b>
<b>MD</b>	<b>SERIES</b>					
<b>1</b>	<b>DIMENSION</b> 1 = 42 mm					
<b>B</b>	<b>TAKE-OFF BLOCK</b>					
<b>00</b>	<b>DESIGN TYPE</b> 00 = 5 outlets 01 = 3 outlets (only without cartridges) 02 = Increased inlet					
<b>1/8</b>	<b>PORTS (IN - OUT) *</b> = Without cartridges 1/8 = G1/8 1/4 = G1/4 3/8 = G3/8 6 = Tube Ø6 8 = Tube Ø8 10 = Tube Ø10					

\* If the inlet (IN) cartridge is different from the outlet (OUT) cartridge, both dimensions shall be indicated.  
Example: MD1-B00-3/8-10.

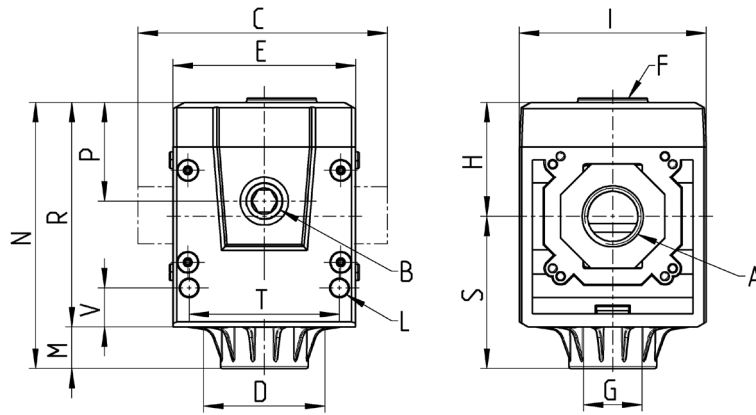
## Series MD take-off block - materials

PARTS	MATERIALS
1 = Body	Polyamide
2 = Covering	Polyamide
3 = Plug	Polyamide
4 = Sphere	Stainless steel
Seals	NBR



### Take-Off block (5 ways) Mod. MD1-B00

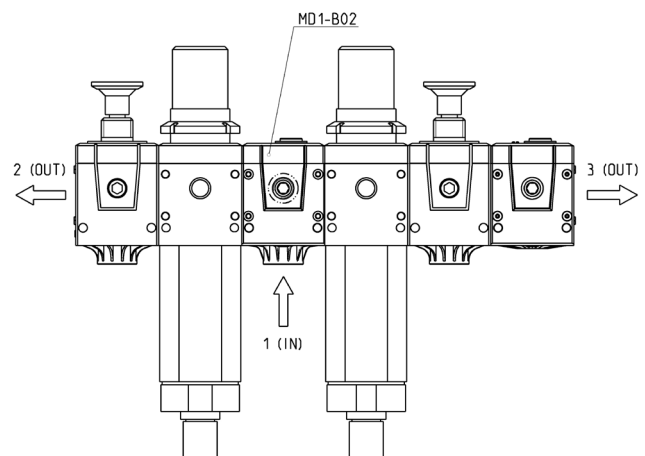
Outlets locations: B (front and rear) G ; F ; ABL01 = Take-off block



Mod.	A	B	C	D	E	F	G	H	I	L	M	N	P	R	S	T	V	Weight [kg]
MD1-B00	-	G1/8	42	28,5	42	G1/8	G1/8	26,2	43	Ø4	9,5	61,2	22,7	51,7	35,1	34,6	9	0,2
MD1-B00-1/8	G1/8	G1/8	42	28,5	42	G1/8	G1/8	26,2	43	Ø4	9,5	61,2	22,7	51,7	35,1	34,6	9	0,2
MD1-B00-1/4	G1/4	G1/8	42	28,5	42	G1/8	G1/8	26,2	43	Ø4	9,5	61,2	22,7	51,7	35,1	34,6	9	0,2
MD1-B00-3/8	G3/8	G1/8	42	28,5	42	G1/8	G1/8	26,2	43	Ø4	9,5	61,2	22,7	51,7	35,1	34,6	9	0,2
MD1-B00-6	Ø6	G1/8	47	28,5	42	G1/8	G1/8	26,2	43	Ø4	9,5	61,2	22,7	51,7	35,1	34,6	9	0,2
MD1-B00-8	Ø8	G1/8	62	28,5	42	G1/8	G1/8	26,2	43	Ø4	9,5	61,2	22,7	51,7	35,1	34,6	9	0,2
MD1-B00-10	Ø10	G1/8	67	28,5	42	G1/8	G1/8	26,2	43	Ø4	9,5	61,2	22,7	51,7	35,1	34,6	9	0,2
MD1-B02	-	G1/8	42	28,5	42	G1/8	G1/4	26,2	43	Ø4	9,5	61,2	22,7	51,7	35,1	34,6	9	0,2

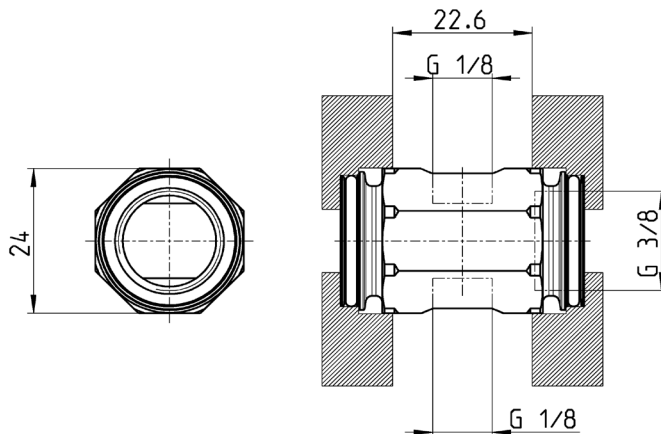
### Use of the take-off block MD1-B02

The take-off block MD1-B02 is particularly suitable when Series MD1 modules have to be supplied through the same pressure source. The modules which are connected to the left side are of LH kind.



**Take-Off block (3 outlets) Mod. MD1-B01**

Supplied with:  
 1x intermediate joining cartridge with derivation  
 4x zinc-plated white special screws Ø4,5 TC/RC



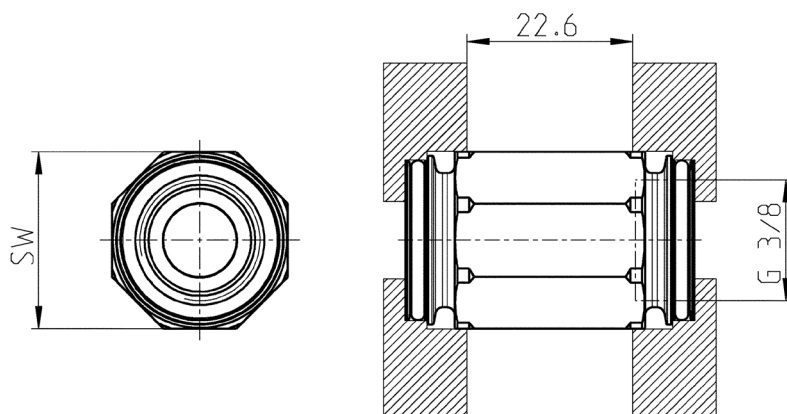
Mod.
MD1-B01

AIR TREATMENT

9

**Intermediate joining cartridge with non return valve Mod. MD1-VNR**

Supplied with:  
 1x intermediate joining cartridge with non return valve  
 4x zinc-plated white special screws Ø4,5 TC/RC



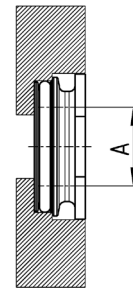
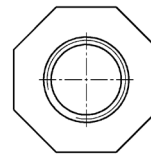
Mod.
MD1-VNR

## Threaded cartridges



**Supplied with:**

2x nickel-plated threaded cartridges  
4x special white zinc-plated screws  $\varnothing 4,5$  TC/RC



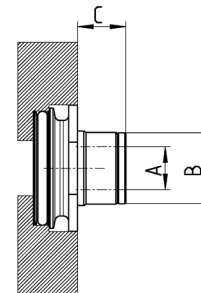
Mod.	A
MD1-A-1/8	G1/8
MD1-A-1/4	G1/4
MD1-A-3/8	G3/8
MD1-A-1/8TF	1/8 NPTF
MD1-A-1/4TF	1/4 NPTF
MD1-A-3/8TF	3/8 NPTF

## Integrated cartridges with super-rapid fitting



**Supplied with:**

2x integrated nickel-plated cartridges with super-rapid fitting  
4x special white zinc-plated screws  $\varnothing 4,5$  TC/RC



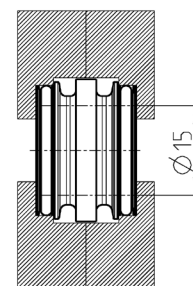
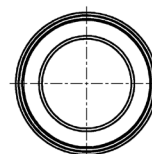
Mod.	A	B	C
MD1-A-6	$\varnothing 6$	12,7	8,5
MD1-A-8	$\varnothing 8$	14,2	10
MD1-A-10	$\varnothing 10$	16,5	12,5
MD1-A04TF	$\varnothing 1/4''$	12,7	8,5
MD1-A-05TF	$\varnothing 5/16''$	14,2	10
MD1-A-06TF	$\varnothing 3/8''$	16,5	12,5

## Intermediate joining cartridge



**Supplied with:**

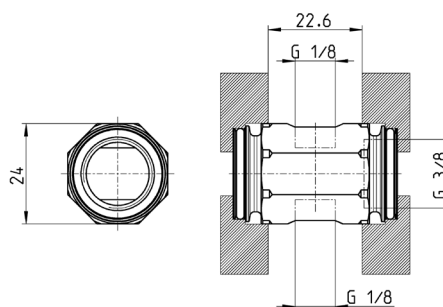
1x intermediate joining cartridge  
4x special white zinc-plated screws  $\varnothing 4,5$  TC/RC



Mod.
MD1-C

## Screws for wall mounting


**Supplied with:**

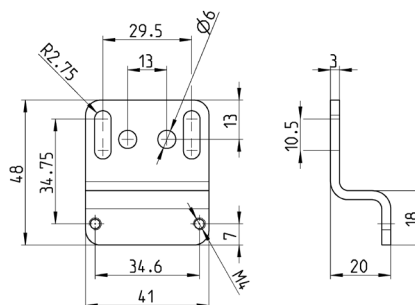
 2x white zinc-plated screws  
 M4x50

**Mod.**

MD1-D

## Rear bracket

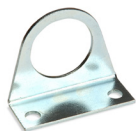
AIR TREATMENT


**Supplied with:**

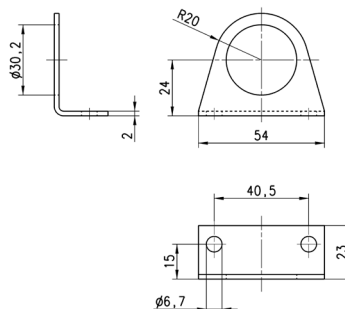
 1x zinc-plated bracket  
 2x white zinc-plated screws  
 M4x50

**Mod.**

MD1-ST/1

## Mounting bracket Mod. C114-ST


**For regulators and filter-regulators (G1/4 - G1/8)**

 Material:  
 zinc-plated steel

 Supplied with:  
 1x bracket

**Mod.**

C114-ST

## Mounting bracket Mod. C114-ST/1



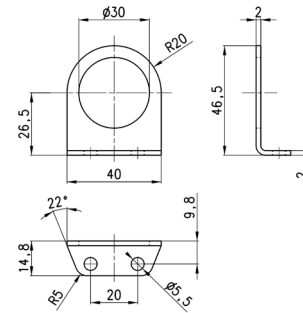
For regulators and filter-regulators (G1/4 - G1/8)

Material:  
zinc-plated steel

Supplied with:  
1x bracket

**Mod.**

**C114-ST/1**



## Mounting bracket Mod. C114-ST/2



For regulators and filter-regulators (G1/4 - G1/8)

Material:  
zinc-plated steel

Supplied with:  
1x bracket

**Mod.**

**C114-ST/2**

