

SOFT START VALVES

SERIES MD

Ports with interchangeable cartridges: threaded (1/8, 1/4, 3/8) or integrated with super-rapid fitting for tube with \varnothing 6, 8 and 10 mm
Modular assembly



- Security function to maintain the command sequence
- Opening of the main air path at about 50% of the value of the inlet pressure
- Upper air intake to connect a pressure switch or to extend switching time
- Additional air intakes with the same characteristics of the outlet air (line)

The soft start valves are used to avoid the sudden movement of pneumatic actuators. Feeding them pneumatically is enough to begin the phase of the pressure gradual increase in the system. By means of a regulation screw, it is possible to determine the time the valve needs to reach the 50% of the inlet pressure. Once this value is reached, the valve opens completely the passage.

The blanked connection on the upper side allows either the time increase to fill the system through a small additional volume or the connection of a pressure switch.

General Data

Construction	Modular, compact, poppet-type
Ports	With interchangeable cartridges: 1/8, 1/4 and 3/8 threaded, integrated with super-rapid fitting for tube with \varnothing 6, 8 and 10 mm
Fixing	In-line Wall-mounting by means of through hole in the body or with a support bracket
Working temperature	-5°C ÷ 50°C
Working pressure	2 ÷ 10 bar
Nominal flow at 6 bar with ΔP 1 bar	MD1-AV-1/8 = 1000 NL/min MD1-AV-1/4 = 1350 NL/min MD1-AV-3/8 = 1500 NL/min
Fluid	Compressed air

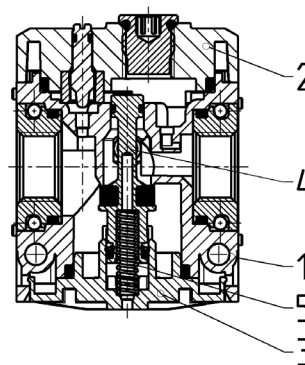
SOFT START VALVES
SERIES MD - CODING EXAMPLES
Coding Example

MD	1	-	AV	-	1/8
MD	SERIES				
1	DIMENSION 1 = 42 mm				
AV	SOFT START VALVE				
1/8	PORTS (IN - OUT) * = Without cartridges 1/8 = G1/8 1/4 = G1/4 3/8 = G3/8 6 = Tube Ø6 8 = Tube Ø8 10 = Tube Ø10				

* If the inlet (IN) cartridge is different from the outlet (OUT) cartridge, both dimensions shall be indicated.
 Example: MD1-AV-1/4-1/8.

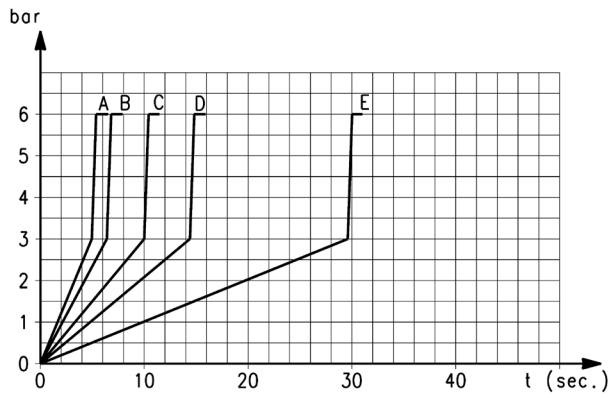
Series MD soft start valves - materials

PARTS	MATERIALS
1 = Body	Polyamide
2 = Covering	Polyamide
3 = Plug	Polyamide
4 = Poppet	Brass
5 = Spring	Stainless steel
Seals	NBR

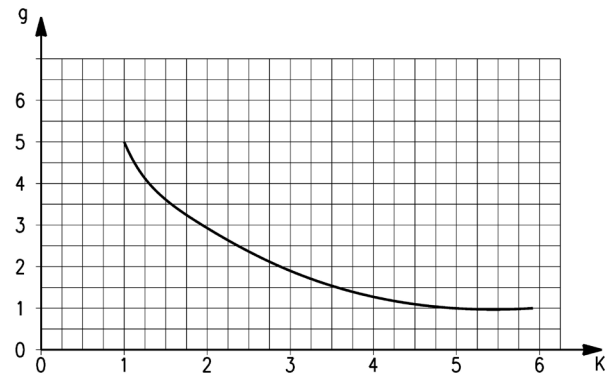


MD1 diagrams for pressurisation times

MD1-AV-...



MD1-AV-...



Pressurisation times as to the number of turns of the regulation screw, with downstream volume of 5 litres. A = 5 turns; B = 4 turns; C = 3 turns; D = 2 turns; E = 1 turn. K = number of turns of the regulation screw required to obtain the required pressurisation time with an inlet pressure of 6 bar. Variations of the inlet pressure can cause deviations of the pressure time by $\pm 20\%$. $K = t/V$ where: V = volume of the downstream system in litres; t = desired pressuring time in seconds.

Example:

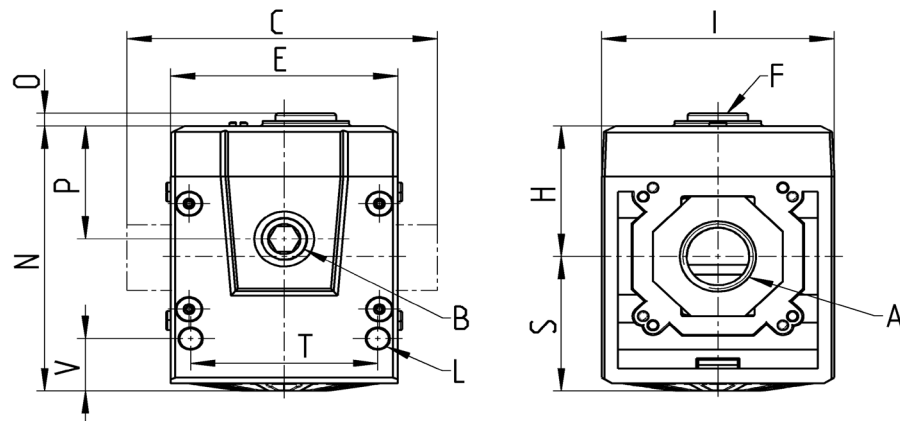
V = 5 litres

t = 16 seconds

 $K = 16/5 = 3,2$

Using in the graph this value K, the number of turns of the regulation screw will be approx. 0,8.

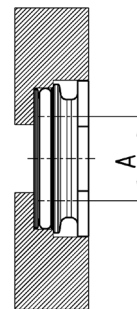
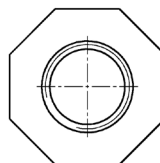
Series MD soft start valves - dimensions



Mod.	A	B	C	E	F	H	I	L	N	O	P	S	T	V	Weight [kg]
MD1-AV	-	G1/8	42	42	G1/8	26,2	43	Ø4	53,2	2,5	22,7	27	34,6	10,5	0,2
MD1-AV-1/8	G1/8	G1/8	42	42	G1/8	26,2	43	Ø4	53,2	2,5	22,7	27	34,6	10,5	0,2
MD1-AV-1/4	G1/4	G1/8	42	42	G1/8	26,2	43	Ø4	53,2	2,5	22,7	27	34,6	10,5	0,2
MD1-AV-3/8	G3/8	G1/8	42	42	G1/8	26,2	43	Ø4	53,2	2,5	22,7	27	34,6	10,5	0,2
MD1-AV-6	Ø6	G1/8	47	42	G1/8	26,2	43	Ø4	53,2	2,5	22,7	27	34,6	10,5	0,2
MD1-AV-8	Ø8	G1/8	62	42	G1/8	26,2	43	Ø4	53,2	2,5	22,7	27	34,6	10,5	0,2
MD1-AV-10	Ø10	G1/8	67	42	G1/8	26,2	43	Ø4	53,2	2,5	22,7	27	34,6	10,5	0,2

SOFT START VALVES
SERIES MD - ACCESSORIES
Threaded cartridges

Supplied with:

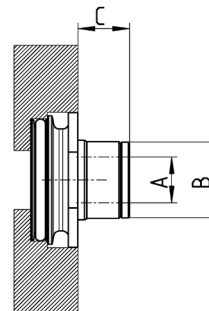
 2x nickel-plated threaded cartridges
 4x special white zinc-plated screws $\varnothing 4,5$ TC/RC


Mod.	A
MD1-A-1/8	G1/8
MD1-A-1/4	G1/4
MD1-A-3/8	G3/8
MD1-A-1/8TF	1/8 NPTF
MD1-A-1/4TF	1/4 NPTF
MD1-A-3/8TF	3/8 NPTF

Integrated cartridges with super-rapid fitting

AIR TREATMENT

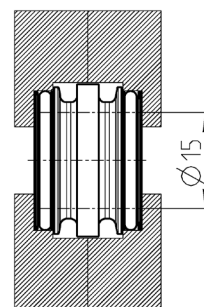
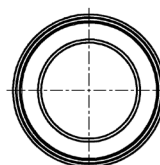

9
Supplied with:

 2x integrated nickel-plated cartridges with super-rapid fitting
 4x special white zinc-plated screws $\varnothing 4,5$ TC/RC


Mod.	A	B	C
MD1-A-6	$\varnothing 6$	12,7	8,5
MD1-A-8	$\varnothing 8$	14,2	10
MD1-A-10	$\varnothing 10$	16,5	12,5
MD1-A04TF	$\varnothing 1/4"$	12,7	8,5
MD1-A-05TF	$\varnothing 5/16"$	14,2	10
MD1-A-06TF	$\varnothing 3/8"$	16,5	12,5

Intermediate joining cartridge

Supplied with:

 1x intermediate joining cartridge
 4x special white zinc-plated screws $\varnothing 4,5$ TC/RC


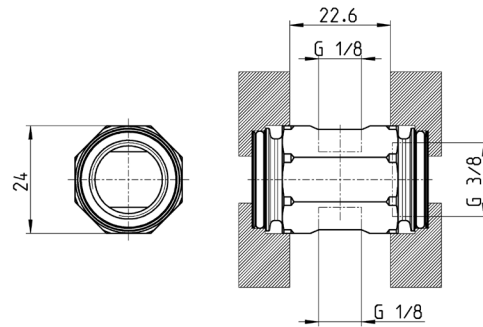
Mod.
MD1-C

Screws for wall mounting



Supplied with:

2x white zinc-plated screws
M4x50



Mod.

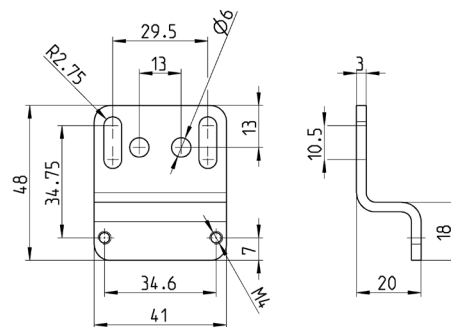
MD1-D

Rear bracket



Supplied with:

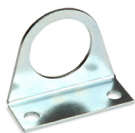
1x zinc-plated bracket
2x white zinc-plated screws
M4x50



Mod.

MD1-ST/1

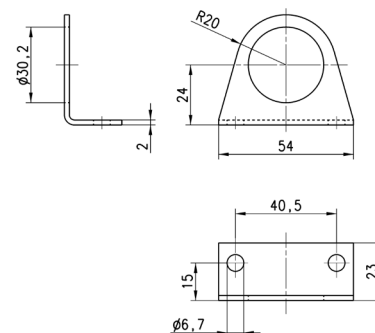
Mounting bracket Mod. C114-ST



For regulators and filter-regulators (G1/4 - G1/8)

Material:
zinc-plated steel

Supplied with:
1x bracket



Mod.

C114-ST

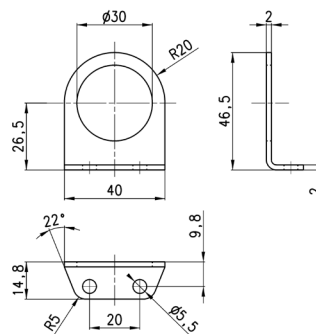
Mounting bracket Mod. C114-ST/1



For regulators and filter-regulators (G1/4 - G1/8)

Material:
zinc-plated steel

Supplied with:
1x bracket



Mod.
C114-ST/1

AIR TREATMENT

9

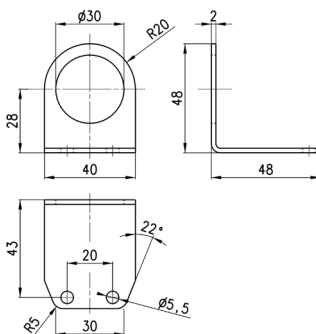
Mounting bracket Mod. C114-ST/2



For regulators and filter-regulators (G1/4 - G1/8)

Material:
zinc-plated steel

Supplied with:
1x bracket



Mod.
C114-ST/2