

LUBRICATORS

SERIES MD

Ports with interchangeable cartridges: threaded (1/8, 1/4, 3/8) or integrated with super-rapid fitting for tube with \varnothing 6, 8 and 10 mm
Modular assembly
Bowl with technopolymer cover and bayonet-type mounting



- Regulation screw
- Ability to refill the oil even with system under pressure
- High flow
- Check of the oil level through plastic cover openings
- Bowl locking system reducing the risk of accidents
- Additional air intakes with the same characteristics of the outlet air (line)

The lubricator allows the nebulization of lubricating oil which is necessary to the functioning of components in specific conditions of use.

By means of a regulation screw the amount of oil can be properly adjusted in order to avoid unnecessary overdoses.

General Data

Construction	Modular, compact
Materials	See TABLE OF MATERIALS on the following page
Ports	With interchangeable cartridges: 1/8, 1/4 and 3/8 threaded or integrated with super-rapid fitting for tube with \varnothing 6, 8 and 10 mm
Oil capacity	40 cm ³
Oil refilling	Even during use
Mounting	In vertical position by means of through holes in the body
Working temperature	-5°C ÷ 50°C up to 16 bar
Oil for lubrication	Use ISO VG32 oils. Once applied, the lubrication should never be interrupted
Working pressure	0 ÷ 16 bar
Min. air consumption for lubrication at 1 bar	15 NL/min
Min. air consumption for lubrication at 6 bar	25 NL/min
Nominal flow	See FLOW DIAGRAMS on the following pages
Fluid	Compressed air

LUBRICATORS
SERIES MD - CODING EXAMPLES

Coding Example

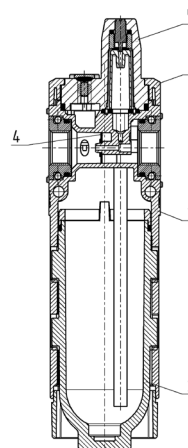
MD	1	-	L	00	1/8	-
MD	SERIES					
1	DIMENSION 1 = 42 mm					
L	LUBRICATOR					
00	DESIGN TYPE 00 = Oil mist with refill valve 10 = Oil mist without refill valve					
1/8	PORTS (IN - OUT) * = Without ports 1/8 = G1/8 1/4 = G1/4 3/8 = G3/8 6 = Tube Ø6 8 = Tube Ø8 10 = Tube Ø10 * If the inlet (IN) cartridge is different from the outlet (OUT) cartridge, both dimensions shall be indicated. Example: MD1-L00-1/4-1/8					

AIR TREATMENT

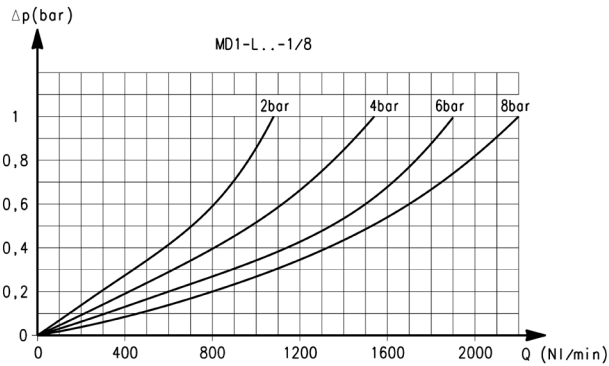
9

Series MD lubricators - materials

Parts	Materials
1 = Body	Polyamide
2 = Tank	Polycarbonate
3 = Covering	Polyamide
4 = Diaphragm	NBR
5 = Visual blockage indicator	Polycarbonate
Seals	NBR

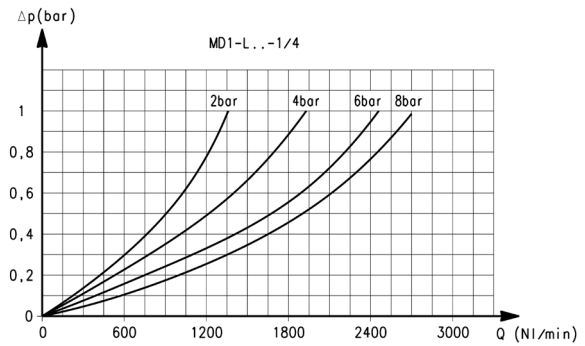


Flow diagrams



Ports with interchangeable 1/8 threaded cartridges

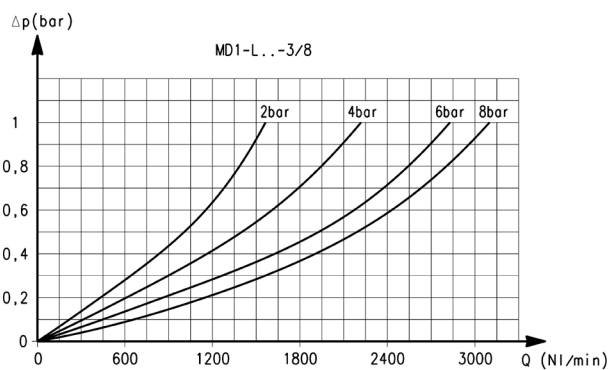
Δp = Pressure drop (bar)
Q = Flow (NL/min)



Ports with interchangeable 1/4 threaded cartridges

Δp = Pressure drop (bar)
Q = Flow (NL/min)

Flow diagram

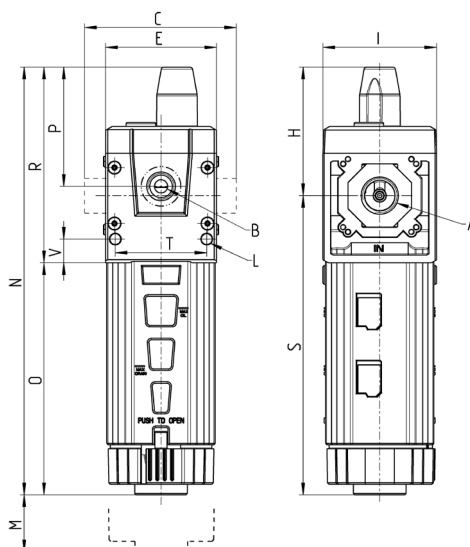
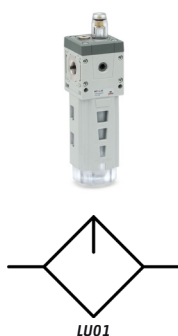


Ports with interchangeable 3/8 threaded cartridges

Δp = Pressure drop (bar)
Q = Flow (NL/min)

LUBRICATORS
SERIES MD - DIMENSIONS
Series MD lubricators - dimensions

LU01 = Lubricator

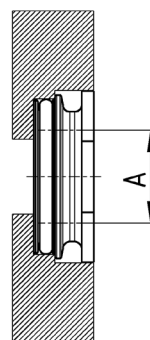
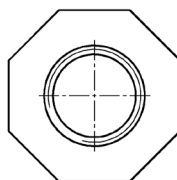


Mod.	A	B	C	E	H	I	L	M	N	O	P	R	S	T	V	Weight [kg]
MD1-L00	-	G1/8	42	42	48,7	43	Ø4	75	162,2	88	45,2	74,2	113,5	34,6	9	0,2
MD1-L00-1/8	G1/8	G1/8	42	42	48,7	43	Ø4	75	162,2	88	45,2	74,2	113,5	34,6	9	0,2
MD1-L00-1/4	G1/4	G1/8	42	42	48,7	43	Ø4	75	162,2	88	45,2	74,2	113,5	34,6	9	0,2
MD1-L00-3/8	G3/8	G1/8	42	42	48,7	43	Ø4	75	162,2	88	45,2	74,2	113,5	34,6	9	0,2
MD1-L00-6	Ø6	G1/8	47	42	48,7	43	Ø4	75	162,2	88	45,2	74,2	113,5	34,6	9	0,2
MD1-L00-8	Ø8	G1/8	62	42	48,7	43	Ø4	75	162,2	88	45,2	74,2	113,5	34,6	9	0,2
MD1-L00-10	Ø10	G1/8	67	42	48,7	43	Ø4	75	162,2	88	45,2	74,2	113,5	34,6	9	0,2

AIR TREATMENT

9
Threaded cartridges

Supplied with:

 2x nickel-plated threaded cartridges
 4x special white zinc-plated screws Ø4,5 TC/RC


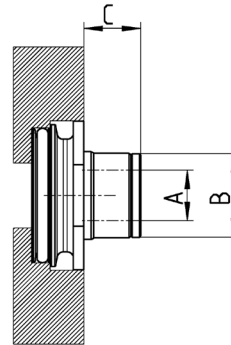
Mod.	A
MD1-A-1/8	G1/8
MD1-A-1/4	G1/4
MD1-A-3/8	G3/8
MD1-A-1/8TF	1/8 NPTF
MD1-A-1/4TF	1/4 NPTF
MD1-A-3/8TF	3/8 NPTF

Integrated cartridges with super-rapid fitting



Supplied with:

2x integrated nickel-plated cartridges with super-rapid fitting
 4x special white zinc-plated screws $\varnothing 4,5$ TC/RC



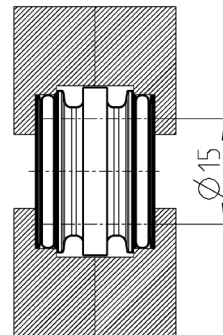
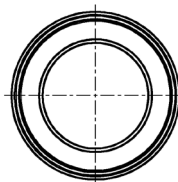
Mod.	A	B	C
MD1-A-6	$\varnothing 6$	12,7	8,5
MD1-A-8	$\varnothing 8$	14,2	10
MD1-A-10	$\varnothing 10$	16,5	12,5
MD1-A04TF	$\varnothing 1/4"$	12,7	8,5
MD1-A-05TF	$\varnothing 5/16"$	14,2	10
MD1-A-06TF	$\varnothing 3/8"$	16,5	12,5

Intermediate joining cartridge



Supplied with:

1x intermediate joining cartridge
 4x special white zinc-plated screws $\varnothing 4,5$ TC/RC



Mod.

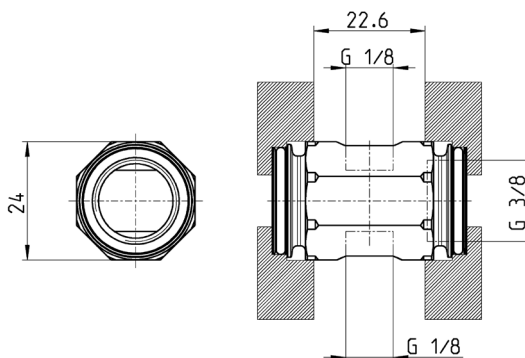
MD1-C

Screws for wall mounting



Supplied with:

2x white zinc-plated screws
M4x50



Mod.	
MD1-D	

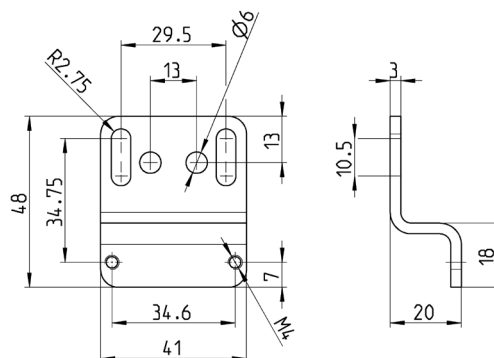
Rear bracket

AIR TREATMENT



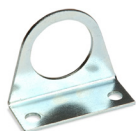
Supplied with:

1x zinc-plated bracket
2x white zinc-plated screws
M4x50



Mod.	
MD1-ST/1	

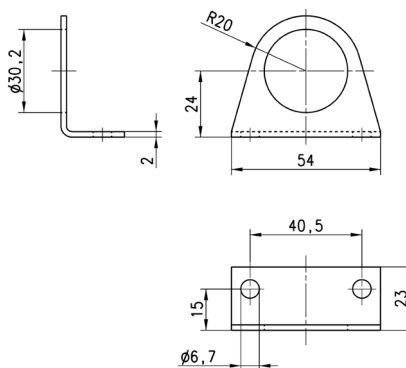
Mounting bracket Mod. C114-ST



For regulators and filter-regulators (G1/4 - G1/8)

Material:
zinc-plated steel

Supplied with:
1x bracket



Mod.	
C114-ST	

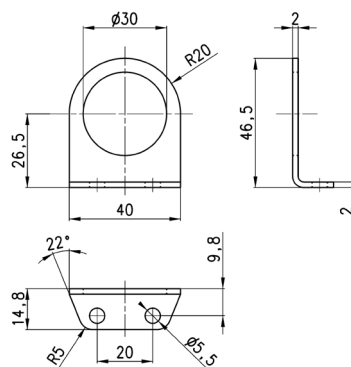
Mounting bracket Mod. C114-ST/1



For regulators and filter-regulators (G1/4 - G1/8)

Material:
zinc-plated steel

Supplied with:
1x bracket



Mod.

C114-ST/1

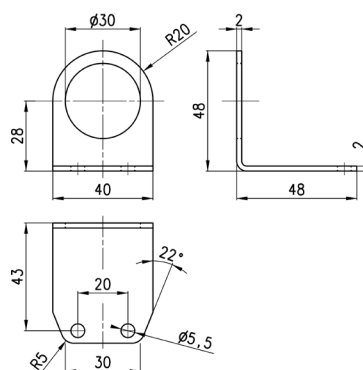
Mounting bracket Mod. C114-ST/2



For regulators and filter-regulators (G1/4 - G1/8)

Material:
zinc-plated steel

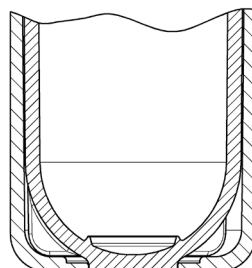
Supplied with:
1x bracket



Mod.

C114-ST/2

Closed bowl



Mod. filter	Closed bowl
N20...-FCA	N2-L71
MC104-FCA	MC1-L71
MC202-FCA	MC2-L71
MC238-FCA	MC2-L71
MX2...-FCA	MX2-L2-P
MX3...-FCA	MX3-L2-P
MD1-FCA..	MD1-FCASP01