

LUBRICATORS

SERIES MC

Ports G1/4, G3/8 and G1/2
Modular
With metal bowl and bayonet-type mounting



- Adjustment screw
- Check of the oil level through plastic cover openings

Series MC lubricators are available with ports G1/4, G3/8 and G1/2.
The bowls of these lubricators are made of metal and are equipped with a transparent viewer.
The oil flow can be monitored through the small transparent cap and regulated by means of the proper adjusting screw.

General Data

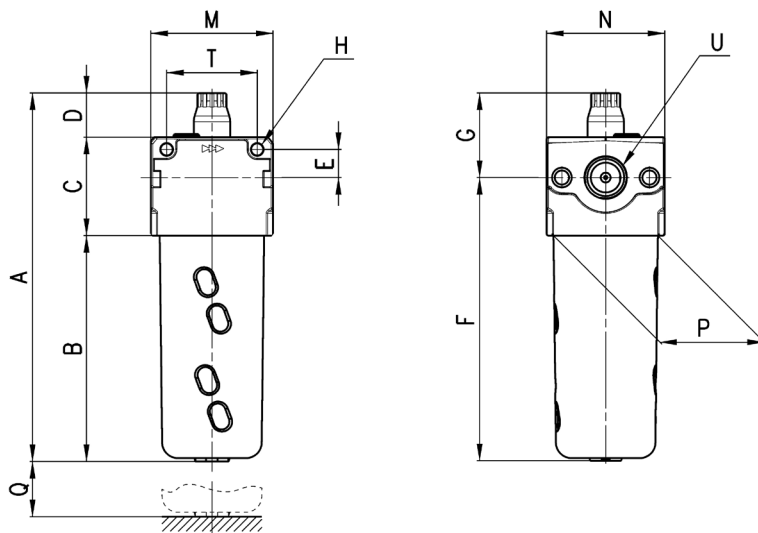
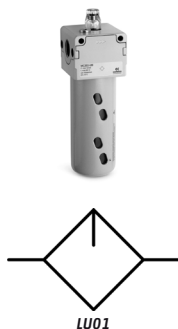
Construction	Modular compact		
Materials	Zama, NBR, technopolymer		
Ports	G1/4	G3/8	G1/2
Oil capacity	37 cm ³	170 cm ³	170 cm ³
Weight	0,338 kg	0,712 kg	0,674 kg
Mounting	Vertical in-line or wall-mounting		
Working temperature	-5°C ÷ 50°C at 10 bar (with the dew point of the fluid lower than 2°C at the min. working temperature)		
Oil refilling	Without pressure (G1/4) also during use (G3/8 - G1/2)		
Oil for lubrication	Use ISO VG32 oils. Once applied, the lubrication should never be interrupted		
Finishing	Enamelled		
Working pressure	0 ÷ 16 bar		
Min. air consumption for lubr (NL/min)	G1/4	8 (NL/min) at 1 bar	15 (NL/min) at 6 bar
at 1 bar	8 (NL/min) at 1 bar	8	8,5
at 6 bar	15 (NL/min) at 6 bar	17,5	15,5
Nominal flow	See FLOW DIAGRAMS on the following pages		
Fluid	Compressed air		

Coding Example

M	2	02	-	L	00
M	SERIES				
2	SIZE 1 = G1/4 2 = G3/8 - G1/2				
02	PORTS 04 = G1/4 38 = G3/8 02 = G1/2				
L	LUBRICATOR				
00	DESIGN TYPE 00 = Atomized oil				

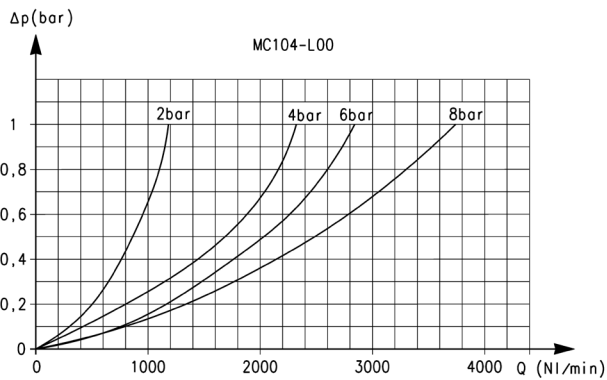
Lubricators Series MC

LU01 = Lubricator



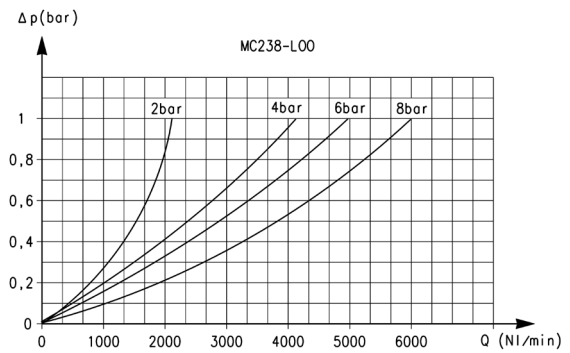
Mod.	A	B	C	D	E	F	G	H	M	N	P	Q	T	U
MC104-L00	148	83	40	25	11	107	41	4,5	45	45	37	84	35	G1/4
MC238-L00	187	115	50	22	14	144	43	5,5	62	60	53	117	46	G3/8
MC202-L00	187	115	50	22	14	144	43	5,5	62	60	53	117	46	G1/2

Flow diagrams



Flow diagram for model: MC104-L00

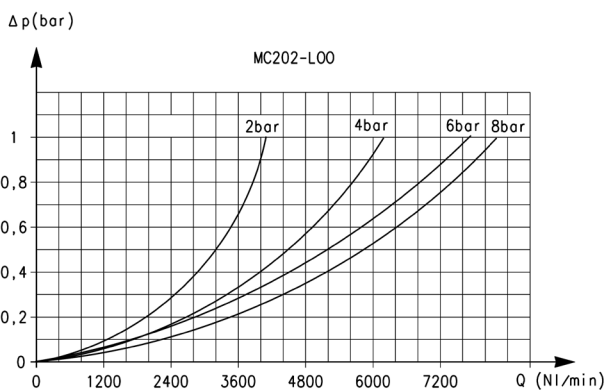
ΔP = Pressure drop (bar)
 Q = Flow (NI/min)



Flow diagram for model: MC238-L00

ΔP = Pressure drop (bar)
 Q = Flow (NI/min)

Flow diagram



Flow diagram for model: MC202-L00

ΔP = Pressure drop (bar)
 Q = Flow (NI/min)

Terminal flanges (Kit A)



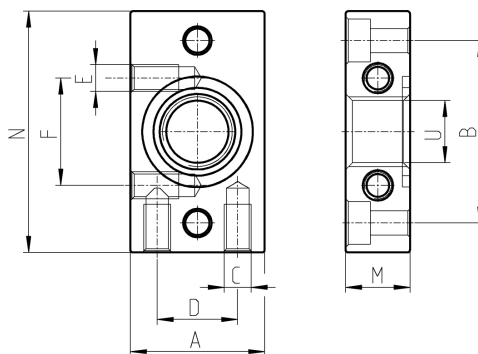
The kit MC104-FL is supplied with:

- 1x left flange,
- 1x right flange;
- 4x screws M4x14;
- 2x O-Ring 2068.

Each of the kits MC202-FL and MC238-FL is supplied with:

- 1x left flange,
- 1x right flange;
- 4x screws M5x14;
- 2x O-Ring 3100.

Materials:
 painted aluminium flanges,
 zinc-plated steel screws and
 NBR O-ring.



Mod.	A	B	C	D	E	F	N	M	U	Size
MC104-FL	25	34	M5	15	M5	20	45	12	G1/4	1
MC238-FL	35	44,5	M5	20	-	-	60	14	G3/8	2
MC202-FL	35	44,5	M5	20	-	-	60	14	G1/2	2

AIR TREATMENT

9

Mounting bracket for (Kit B)

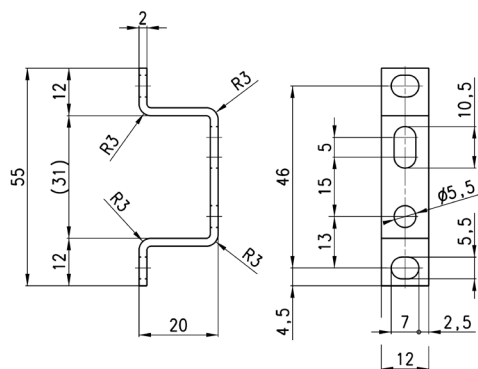


The kit MC104-ST is supplied with:

- 2x terminal brackets
- 4x screws M5x10.

Mounting bracket for terminals 1/4, 3/8, 1/2.

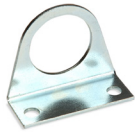
Materials:
 zinc-plated steel brackets
 and screws.



Mod.
MC104-ST

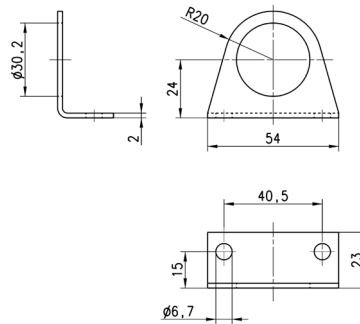
Mounting bracket Mod. C114ST

For regulators and filter-regulators MC1



Supplied with:
1x bracket

Material:
zinc-plated steel



Mod.

C114-ST

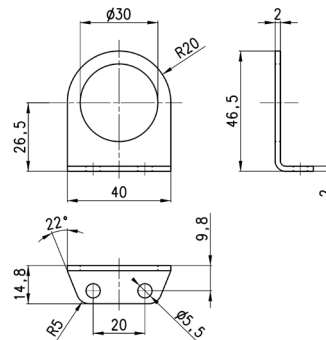
Mounting bracket Mod. 114-ST/1

For regulators and filter-regulators MC1



Supplied with:
1x bracket

Material:
zinc-plated steel



Mod.

C114-ST/1

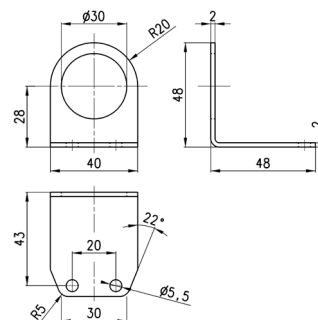
Mounting bracket C114-ST/2

For regulators and filter-regulators MC1



Supplied with:
1x bracket

Material:
zinc-plated steel



Mod.

C114-ST/2

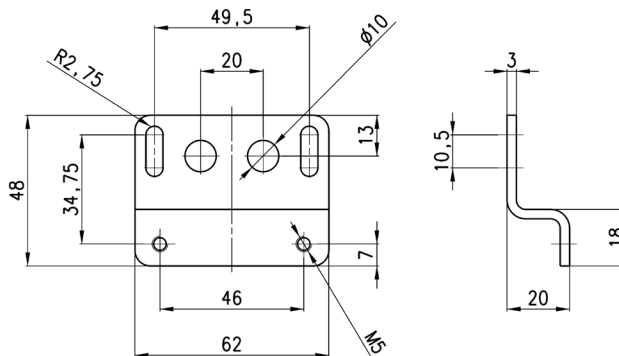
Mounting bracket Mod. C238-ST/1

For MC2



Supplied with:
 1x bracket
 2x screws M5X65.

Materials:
 zinc-plated steel bracket
 and screws.



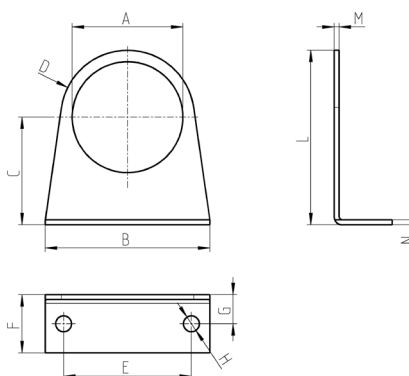
Mod.	
C238-ST/1	

Fixing bracket for regulators

For regulators MC2



Supplied with:
 1x zinc-plated steel bracket



Mod.	A	B	C	D	E	F	G	H	L	M	N
MX2-S	047,2	73	60,5	R29,5	54	25	15	06,2	90	2,5	2,5

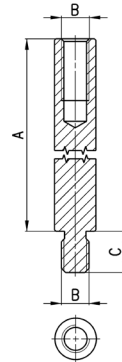
Tie-rods for assembling (Kit C)



The kit MC1-TMF is supplied with:
2x male/female tie-rods
1x O-ring 2068.

The kit MC2-TMF is supplied with:
2x male/female tie-rods
1x O-ring 3100.

Materials:
nickel-plated steel tie-rods
and NBR O-ring.



Mod.	A	B	C	Size
MC1-TMF	45	M4	6	1
MC2-TMF	62	M5	6	2

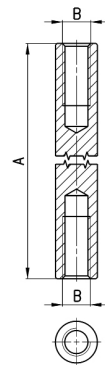
Tie-rods for assembling (Kit D)



The kit MC1-TFF is supplied with:
2x female tie-rods.

The kit MC2-TFF is supplied with:
2x female tie-rods.

Materials:
nickel-plated steel tie-rods.



Mod.	A	B	Size
MC1-TFF	44	M4	1
MC2-TFF	61	M5	2

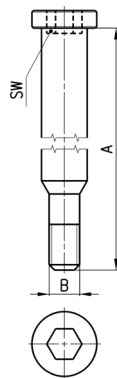
Screws for assembling (Kit E)



The kit MC1-VM is supplied with:
 2x male screws
 1x O-ring 2068.

The kit MC2-VM is supplied with:
 2x male screws
 1x O-ring 3100.

Materials:
 zinc-plated steel screws and
 NBR O-ring.



Mod.	A	B	SW	Size
MC1-VM	48,5	M4	3	1
MC2-VM	65,5	M5	4	2

AIR TREATMENT

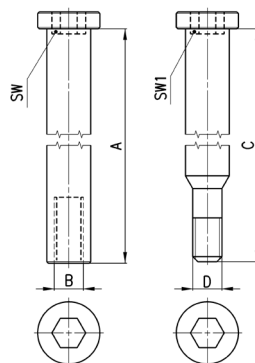
9

Screws for assembling (Kit F)



The kit is supplied with:
 2x male screws
 2x female screws
 1x O-ring (OR 2068 for MC1-VMF; OR 3100 for MC2-VMF).

Materials:
 zinc-plated steel male
 screws, nickel-plated steel
 female screws and NBR
 O-ring.



Mod.	A	B	C	D	SW	SW1	Size
MC1-VMF	42	M4	48,5	M4	3	3	1
MC2-VMF	59	M5	68,5	M5	4	4	2

Screws (Kit G) to assemble 2 bodies type "M"



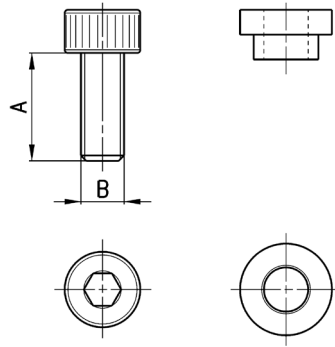
The kit MC1-VMD is supplied with:

- 4x screws M4X10
- 4x spacers
- 2x O-ring 2068.

The kit MC2-VMD is supplied with:

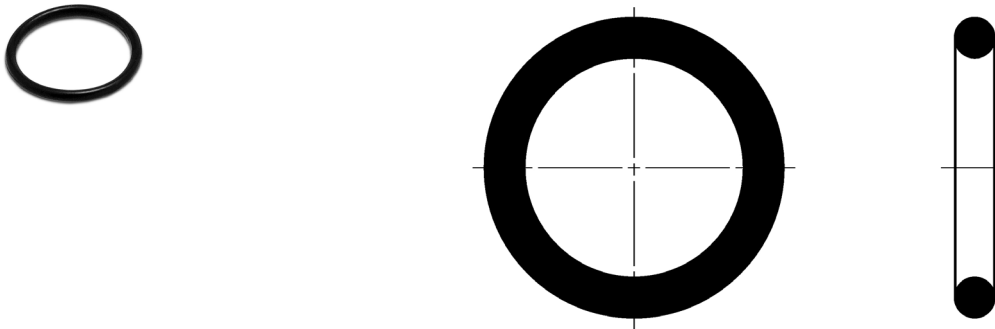
- 4x screws M5X12
- 4x spacers
- 2x O-ring 3100.

Materials:
zinc-plated steel screws,
brass spacers and NBR
O-ring.



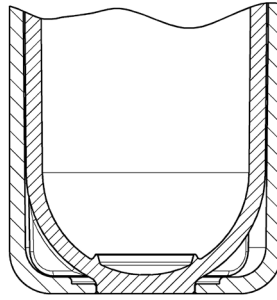
Mod.	A	B	Size	
MC1-VMD	10	M4	1	*
MC2-VMD	12	M5	2	*

O-ring for assembling



Mod.	O-ring	For assembly
160-39-11/19	OR 3125	MX2
OR 38x2,8 NBR	OR 38x2,8	MX3

Closed bowl



Assembled with Activated carbon filter.

Mod. filter	Closed bowl
N20...-FCA	N2-L71
MC104-FCA	MC1-L71
MC202-FCA	MC2-L71
MC238-FCA	MC2-L71
MX2..-FCA	MX2-L2-P
MX3..-FCA	MX3-L2-P
MD1-FCA..	MD1-FCASP01