

FILTERS

SERIES MC

Ports G1/4, G3/8 and G1/2
 Modular
 Metal bowl and bayonet-type mounting



- Removal of impurities and condensate
- Quality of delivered air according to ISO 8573-1:2010, Classes [7:8:4] and [6:8:4]
- Manual, automatic or depressuring drain

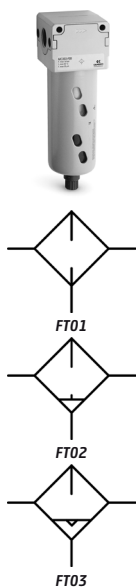
Series MC filters are available with ports G1/4, G3/8 and G1/2. Bowls are made of metal with a transparent sight glass and have a condensate drain valve which can provide either a manual or semi-automatic function.

General Data

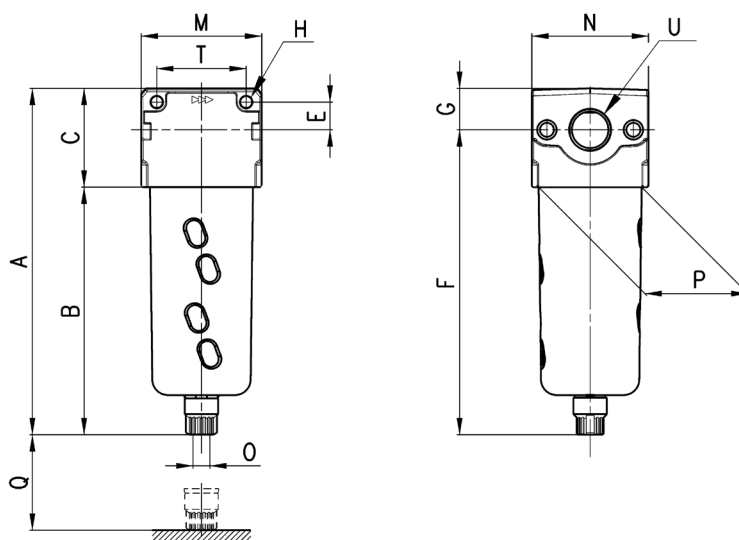
Construction	Compact modular with filtering element in HDPE		
Materials	Zama, NBR, tecnopolymer		
Ports	G1/4	G3/8	G1/2
Max condensate capacity	28 cm ³	72 cm ³	72 cm ³
Weight	0,339 kg	0,718 kg	0,688 kg
Mounting	Vertical in-line or wall-mounting		
Working temperature	-5°C ÷ 50°C at 10 bar (with the dew point of the fluid lower than 2°C at the min. working temperature)		
Quality of delivered air according to ISO 8573-1:2010	Class [6:8:4] with 5µm filtering element Class [7:8:4] with 25µm filtering element		
Draining of condensate	Semi-automatic manual, automatic protected depressurisation, direct G1/8 exhaust		
Finishing	Enamelled		
Working pressure	With standard drain and protected depressurisation 0,3 ÷ 16 bar With depressurisation 0,3 ÷ 10 bar With automatic drain 1,5 ÷ 12 bar for G3/8 and G1/2		
Nominal flow	See FLOW DIAGRAMS on the following pages		
Fluid	Compressed air		

FILTERS
SERIES MC - CODING EXAMPLES
Coding Example

MC	2	02	-	F	0	0
MC	SERIES					
2	SIZE 1 = G1/4 2 = G3/8 - G1/2					
02	PORTS 04 = G1/4 38 = G3/8 02 = G1/2					
F	F = Filter					
0	FILTERING ELEMENT 0 = 25µm (standard) 1 = 5µm					
0	DRAINING OF CONDENSATE (further details in the dedicated section) 0 = Normal - semiautomatic (standard) 3 = Automatic drain (only for G3/8 and G1/2) 4 = Depressurisation (only G1/4) 5 = Depressurisation, protected 8 = No drain, port 1/8					

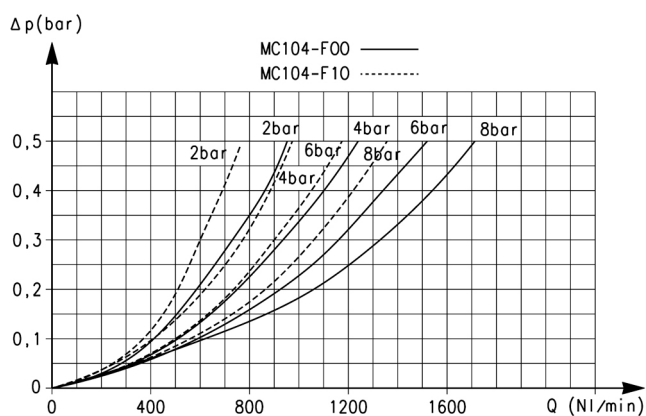
Filters Series MC


FT01 = Filter without drain with threaded port
 FT02 = Filter with semiautomatic manual drain
 FT03 = Filter with automatic drain



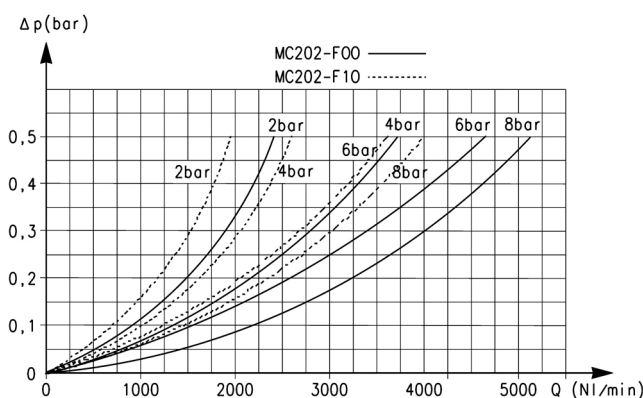
Mod.	A	B	C	E	F	G	H	M	N	O	P	Q	T	U
MC104-F00	143	102	41	11	126,5	16,5	4,5	45	45	G1/8	37	58	35	G1/4
MC238-F00	184	133	51	14	163	21	5,5	62	60	G1/8	53	72	46	G3/8
MC202-F00	184	133	51	14	163	21	5,5	62	60	G1/8	53	72	46	G1/2

Flow diagrams for filters Series MC, G1/4 - G3/8 ports



Flow diagram for models:
MC238-F00 and MC238-F10

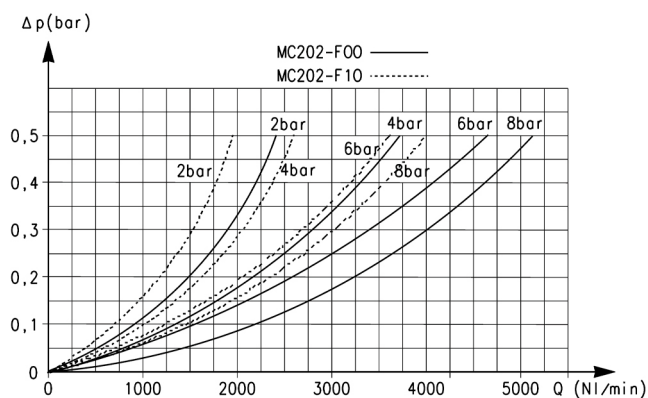
ΔP = Pressure drop (bar)
Q = Flow (NL/min)



Flow diagram for models:
MC104-F00 and MC104-F10

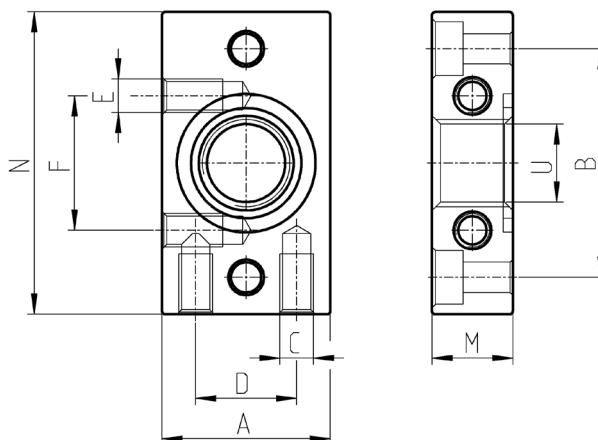
ΔP = Pressure drop (bar)
Q = Flow (NL/min)

Flow diagram for filters Series MC, G1/2 ports



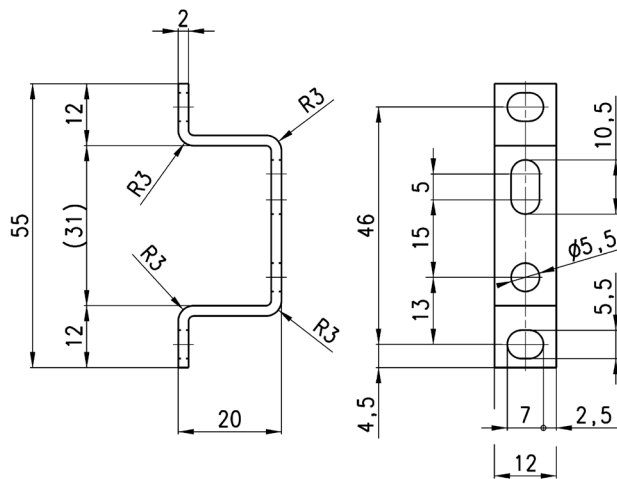
Flow diagram for models:
MC202-F00 and MC202-F10

ΔP = Pressure drop (bar)
Q = Flow (NL/min)

Terminal flanges (Kit A)


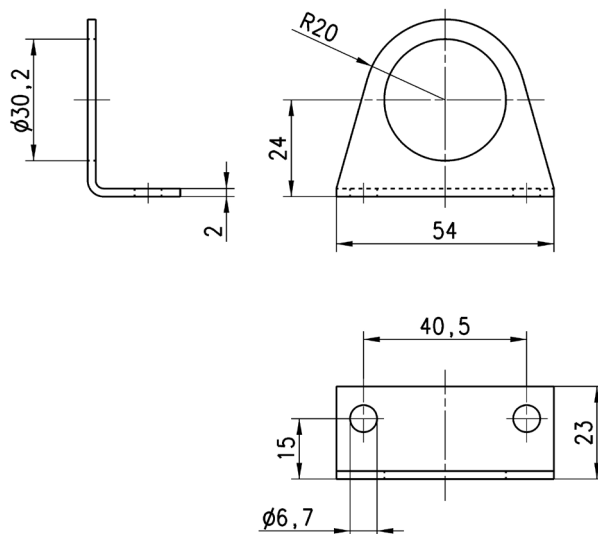
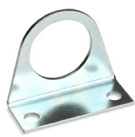
Mod.	A	B	C	D	E	F	N	M	U	Size
MC104-FL	25	34	M5	15	M5	20	45	12	G1/4	1
MC238-FL	35	44,5	M5	20	-	-	60	14	G3/8	2
MC202-FL	35	44,5	M5	20	-	-	60	14	G1/2	2

AIR TREATMENT

Mounting bracket for (Kit B)


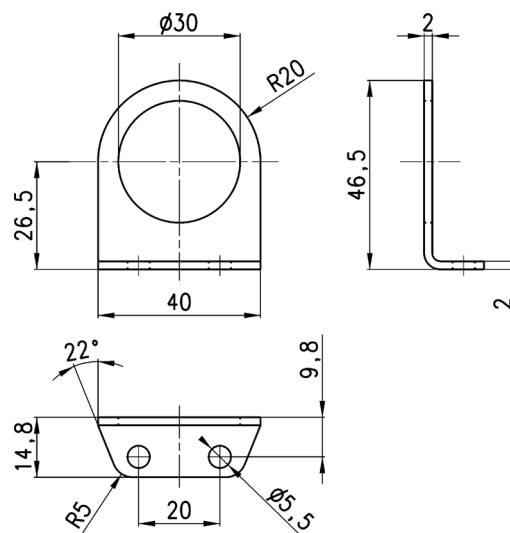
Mod.
MC104-ST

Mounting bracket Mod. C114ST



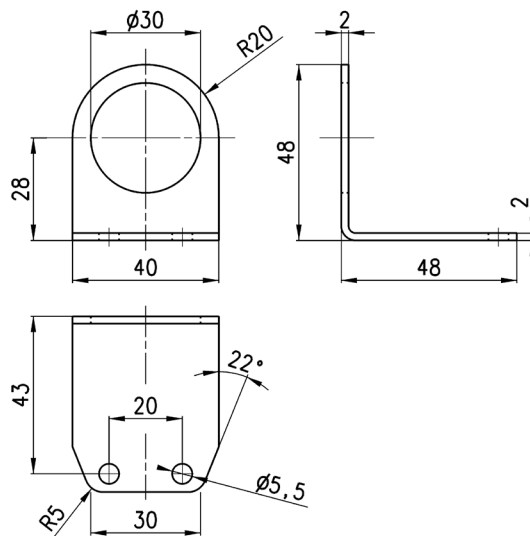
Mod.
C114-ST

Mounting bracket Mod. 114-ST/1



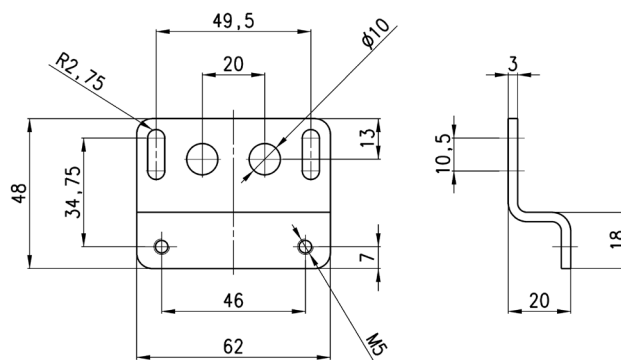
Mod.
C114-ST/1

Mounting bracket C114-ST/2



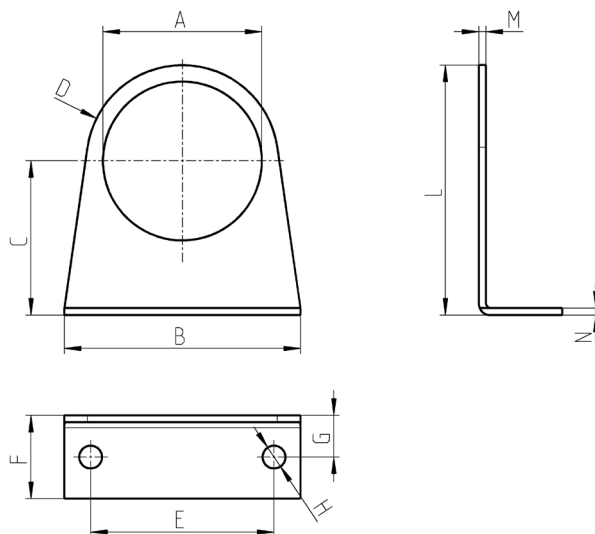
Mod.
C114-ST/2

Mounting bracket Mod. C238-ST/1



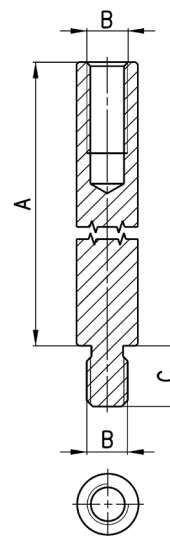
Mod.
C238-ST/1

Fixing bracket for regulators



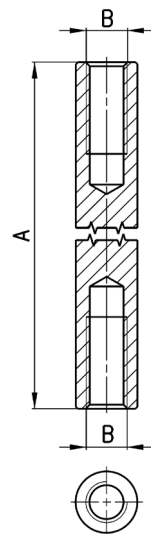
Mod.	A	B	C	D	E	F	G	H	L	M	N
MX2-S	Ø47,2	73	60,5	R29,5	54	25	15	Ø6,2	90	2,5	2,5

Tie-rods for assembling (Kit C)



Mod.	A	B	C	Size
MC1-TMF	45	M4	6	1
MC2-TMF	62	M5	6	2

Tie-rods for assembling (Kit D)

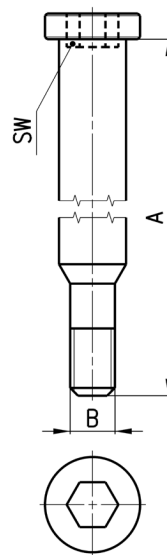


Mod.	A	B	Size
MC1-TFF	44	M4	1
MC2-TFF	61	M5	2

AIR TREATMENT

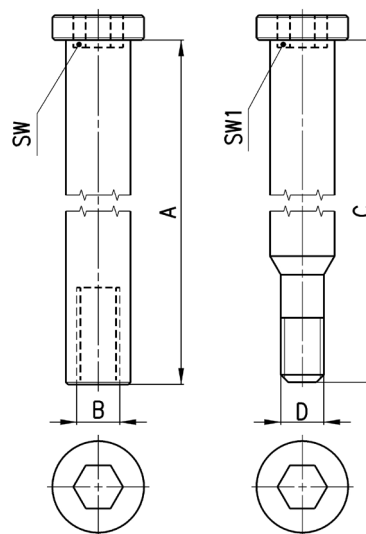
9

Screws for assembling (Kit E)



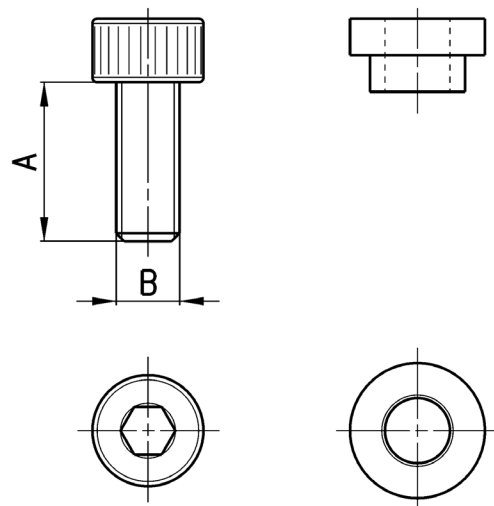
Mod.	A	B	SW	Size
MC1-VM	48,5	M4	3	1
MC2-VM	65,5	M5	4	2

Screws for assembling (Kit F)



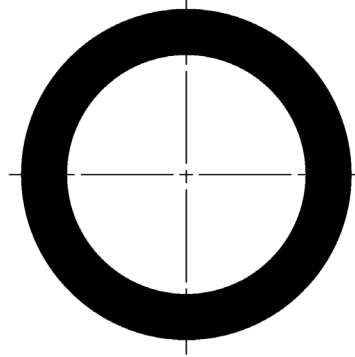
Mod.	A	B	C	D	SW	SW1	Size
MC1-VMF	42	M4	48,5	M4	3	3	1
MC2-VMF	59	M5	68,5	M5	4	4	2

Screws (Kit G) to assemble 2 bodies type "M"



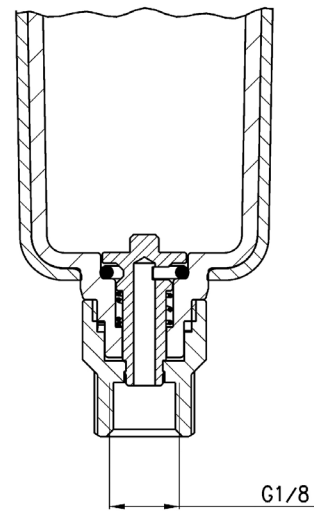
Mod.	A	B	Size
MC1-VMD	10	M4	1 *
MC2-VMD	12	M5	2 *

O-ring for assembling



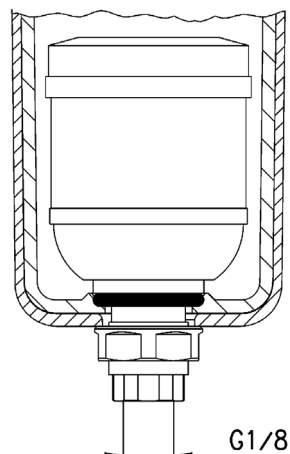
Mod.	O-ring	For assembly
160-39-11/19	OR 3125	MX2
OR 38x2,8 NBR	OR 38x2,8	MX3

Semi-automatic manual drain Type 0



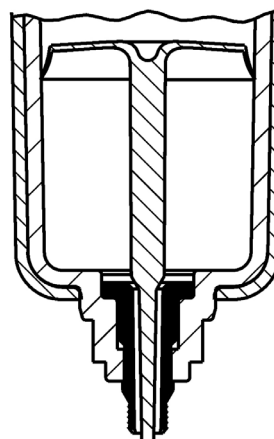
Mod. filter	Bowl with semiautomatic manual drain
N10...-F	N1-F71
N10...-D	N1-F71
N10...-FB	N1-F71
N20...-F	N2-F71
N20...-D	N2-F71
N20...-FB	N2-F71
MC104-F	MC1-F71
MC104-D	MC1-F71
MC104-FB	MC1-F71
MC202-F	MC2-F71
MC202-D	MC2-F71
MC202-FB	MC2-F71
MC238-F	MC2-F71
MC238-D	MC2-F71
MC238-FB	MC2-F71
MX2...-F	MX2-F2-P
MX2...FR	MX2-F2-P
MX2...-FC	MX2-F2-P
MX3...-F	MX3-F2-P
MX3...-FR	MX3-F2-P
MX3...-FC	MX3-F2-P
MD1-F0..	MD1-FSP01
MD1-F1..	MD1-FSP04
MD1-FR0..	MD1-FSP01
MD1-FR1..	MD1-FSP04
MD1-FC0..	MD1-FCSP01
MD1-FC1..	MD1-FCSP04

Automatic drain (Type 3)



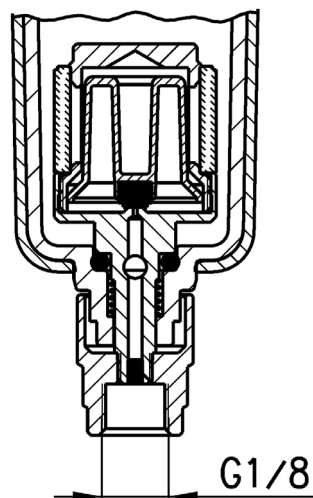
Mod. filter	Bowl with automatic drain
MC202-F	MC2-F71/3
MC202-D	MC2-F71/3
MC202-FB	MC2-F71/3
MC238-F	MC2-F71/3
MC238-D	MC2-F71/3
MC238-FB	MC2-F71/3
MX2...-F	MX2-F2/1-P
MX2...FR	MX2-F2/1-P
MX2...-FC	MX2-F2/1-P
MX3...-F	MX3-F2/1-P
MX3...-FR	MX3-F2/1-P
MX3...-FC	MX3-F2/1-P
MD1-F0..	MD1-FSP08
MD1-F1..	MD1-FSP07
MD1-FR0..	MD1-FSP08
MD1-FR1..	MD1-FSP07

Depressurisation drain (Type 4)

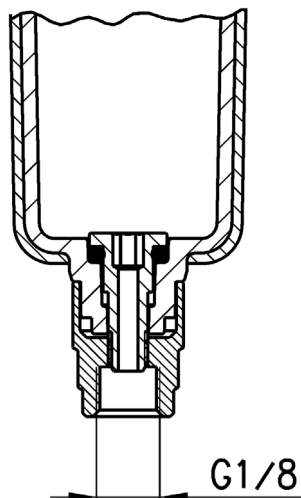


Mod. filter	Bowl with depressurization drain
N20...-F	N2-F71/2
N20...-D	N2-F71/2
N20...-FB	N2-F71/2
MC104-F	MC1-F71/2
MC104-D	MC1-F71/2
MC104-FB	MC1-F71/2

Depressurisation drain, protected (Type 5)

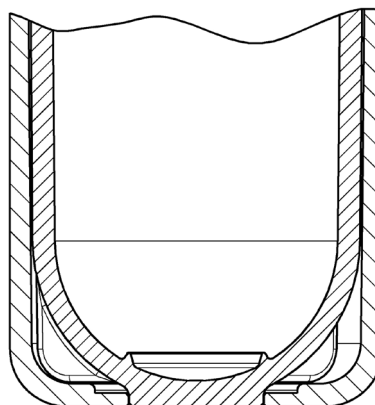


Mod. filter	Bowl with depressurization drain, protected
N20...-F	N2-F71/1
N20...-D	N2-F71/1
N20...-FB	N2-F71/1
MC104-F	MC1-F71/1
MC104-D	MC1-F71/1
MC104-FB	MC1-F71/1
MC202-F	MC2-F71/1
MC202-D	MC2-F71/1
MC202-FB	MC2-F71/1
MC238-F	MC2-F71/1
MC238-D	MC2-F71/1
MC238-FB	MC2-F71/1
MX2...-F	MX2-F2/3-P
MX2...-FR	MX2-F2/3-P
MX2...-FC	MX2-F2/3-P
MX3...-F	MX3-F2/3-P
MX3...-FR	MX3-F2/3-P
MX3...-FC	MX3-F2/3-P
MD1-F0..	MD1-FSP03
MD1-F1..	MD1-FSP06
MD1-FR0..	MD1-FSP03
MD1-FR1..	MD1-FSP06
MD1-FC0..	MD1-FCSP03
MD1-FC1..	MD1-FCSP06

Bowl without drain (Type 8)


Mod. filter	Bowl without drain (1/8 port)
N10...-F	N1-F71-1/8
N10...-D	N1-F71-1/8
N10...-FB	N1-F71-1/8
N20...-F	N2-F71-1/8
N20...-D	N2-F71-1/8
N20...-FB	N2-F71-1/8
MC104-F	MC1-F71-1/8
MC104-D	MC1-F71-1/8
MC104-FB	MC1-F71-1/8
MC202-F	MC2-F71-1/8
MC202-D	MC2-F71-1/8
MC202-FB	MC2-F71-1/8
MC238-F	MC2-F71-1/8
MC238-D	MC2-F71-1/8
MC238-FB	MC2-F71-1/8
MX2...-F	MX2-F2/2-P
MX2...FR	MX2-F2/2-P
MX2...FC	MX2-F2/2-P
MX3...-F	MX3-F2/2-P
MX3...-FR	MX3-F2/2-P
MX3...-FC	MX3-F2/2-P
MD1-F0..	MD1-FSP02
MD1-F1..	MD1-FSP05
MD1-FR0..	MD1-FSP02
MD1-FR1..	MD1-FSP05
MD1-FC0..	MD1-FCSP02
MD1-FC1..	MD1-FCSP05

Closed bowl



Mod. filter	Closed bowl
N20...-FCA	N2-L71
MC104-FCA	MC1-L71
MC202-FCA	MC2-L71
MC238-FCA	MC2-L71
MX2...-FCA	MX2-L2-P
MX3...-FCA	MX3-L2-P
MD1-FCA..	MD1-FCASP01

Surface filters



Mod. filter	Filtering element 25 μ
N10...-F	C104-F20/3
N10...-D	C104-F20/3
N20...-F	C104-F20/3
N20...-D	C104-F20/3
MC104-F	C104-F20/3
MC104-D	C104-F20/3
MC202-F	C238-F11/3
MC202-D	C238-F11/3
MC238-F	C238-F11/3
MC238-D	C238-F11/3
MX2...-F	C238-F11/3
MX2...FR	C238-F11/3
MX3...-F	MX3-F7
MX3...-FR	MX3-F7
MD1-F0..*	C104-F20/3
MD1-FR0..*	C104-F20/3

Surface filters



Mod. filter	Filtering element 5 μ
N10...-F	C104-F21/3
N10...-D	C104-F21/3
N20...-F	C104-F21/3
N20...-D	C104-F21/3
MC104-F	C104-F21/3
MC104-D	C104-F21/3
MC202-F	C238-F12/3
MC202-D	C238-F12/3
MC238-F	C238-F12/3
MC238-D	C238-F12/3
MX2...-F	C238-F12/3
MX2...FR	C238-F12/3
MX3...-F	MX3-F8
MX3...-FR	MX3-F8
MD1-F1.. *	C104-F21/3
MD1-FR1.. *	C104-F21/3