

# PRESSURE MICROREGULATORS

## SERIES M

Ports G1/8, G1/4



- Versions with calibrated or blocked regulators are available
- Versions with certified diaphragms and seals materials are available on request

Series M pressure regulator is available with G1/8 and G1/4 ports.

Its design incorporates a diaphragm and relieving so as to allow decremental adjustments as well.

Microregulators are available with different regulation types: non-relieving, very sensitive self-relieving (through a light air leak) and VS (valve with fast draining).

The VS version is used when a regulator should be inserted between the valve and cylinder, or capacity, without any negative influence on the exhaust.

### General Data

<b>Construction</b>	Diaphragm type
<b>Materials</b>	Brass body, stainless steel spring, NBR O-ring ; or EPDM, according to the version
<b>Ports</b>	G1/8 - G1/4
<b>Weight</b>	0,235 Kg
<b>Pressure gauge ports</b>	G1/8
<b>Mounting</b>	In-line or panel mounting (in any position)
<b>Working temperature</b>	-5°C ÷ 50°C (with the dew point of the fluid lower than 2°C at the min. working temperature)
<b>Inlet pressure</b>	0 ÷ 16 bar
<b>Outlet pressure</b>	0,5 ÷ 10 bar (standard) 0,5 ÷ 2 bar 0,5 ÷ 4 bar 0,5 ÷ 7 bar
<b>Secondary pressure (relieving)</b>	With relieving (standard) Without relieving
<b>Fluid</b>	Compressed Air / Water / Oxygen - for use with other fluids, please contact our technicians

PRESSURE MICROREGULATORS  
 SERIES M - CODING EXAMPLES

## Coding Example

<b>M</b>	<b>0</b>	<b>04</b>	<b>-</b>	<b>R</b>	<b>T</b>	<b>0</b>	<b>2</b>	<b>-</b>	<b>VS</b>	<b>-</b>	<b>LH</b>
<b>M</b>	SERIES										
<b>0</b>	SIZE										
<b>04</b>	PORTS 08 = G1/8 04 = G1/4										
<b>R</b>	REGULATOR										
<b>T</b>	OPERATING PRESSURE 0 = 0,5 ÷ 10 bar (standard) 1 = 0,5 ÷ 4 bar 2 = 0,5 ÷ 2 bar 7 = 0,5 ÷ 7 bar T = Calibrated * B = Locked *										
<b>0</b>	DESIGN TYPE 0 = Self relieving 1 = Non relieving 5 = Relieving with precise setting										
<b>2</b>	PRESSURE GAUGE ** = Without pressure gauge (standard) 1 = With pressure gauge 0-2,5 with working pressure 0,5 ÷ 2 bar 2 = With pressure gauge 0-6 with working pressure 0,5 ÷ 4 bar 3 = With pressure gauge 0-10 with working pressure 0,5 ÷ 7 bar 4 = With pressure gauge 0-12 with working pressure 0,5 ÷ 10 bar										
<b>VS</b>	REGULATION TYPE (OPTIONS) = Without high relief flow (standard) VS = High relief flow E-OX1 = version for use with oxygen, no relieving, no pressure gauge, only 0÷10 bar, materials suitable for use with oxygen H = version for use with water, no relieving, no pressure gauge, only 0÷10 bar, body in non-nickel-plated brass and seals in EPDM										
<b>LH</b>	FLOW DIRECTION = From left to right (standard) LH = From right to left										

\* If the regulator is calibrated or locked, after the regulation type add the inlet pressure "■" and the outlet pressure "●"

INLET PRESSURE: ■ = Enter the SUPPLY pressure value

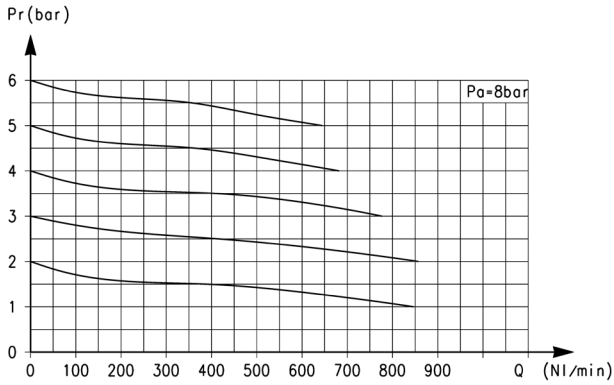
OUTLET PRESSURE: ● = Enter the OUTLET pressure value for the LOCKED regulator or the maximum value of the ADJUSTABLE pressure for the CALIBRATED regulator

Example of a calibrated regulator with Inlet Pressure = 6,3 bar and Outlet Pressure = 4,5 bar  
 Complete part number: M04-RT0-6,3-4,5.

\*\* The pressure gauges are supplied disassembly mod. M043-P..

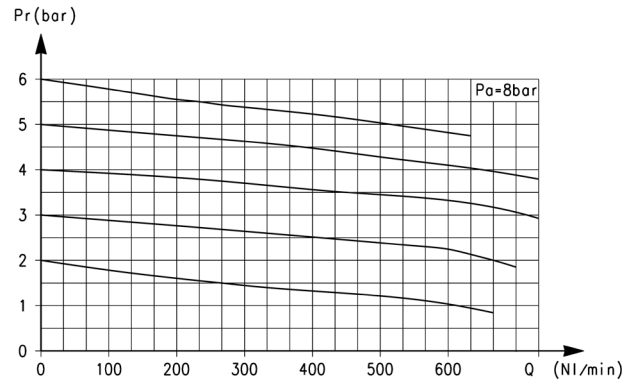
## Flow diagrams

### M004-R00



Flow diagram for models: M004-R00  
Pa = Inlet pressure (bar)  
Pr = Regulated pressure (bar)  
Qn = Flow (NL/min)

### M008-R00

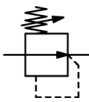


Flow diagram for models: M008-R00  
Pa = Inlet pressure (bar)  
Pr = Regulated pressure (bar)  
Qn = Flow (NL/min)

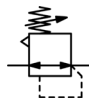
## Pneumatic symbols

- PR01 = Reg. without relieving
- PR02 = Reg. with relieving
- PR03 = Reg. with relieving and by-pass valve
- PR04 = Reg. without relieving with by-pass valve
- PR05 = Reg. without relieving with pressure gauge
- PR06 = Reg. with relieving and pressure gauge
- PR07 = Reg. with relieving, by-pass valve and pressure gauge
- PR08 = Reg. without relieving with by-pass valve and pressure gauge

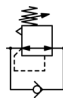
PR01



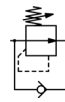
PR02



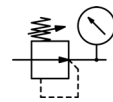
PR03



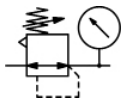
PR04



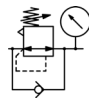
PR05



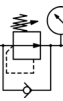
PR06

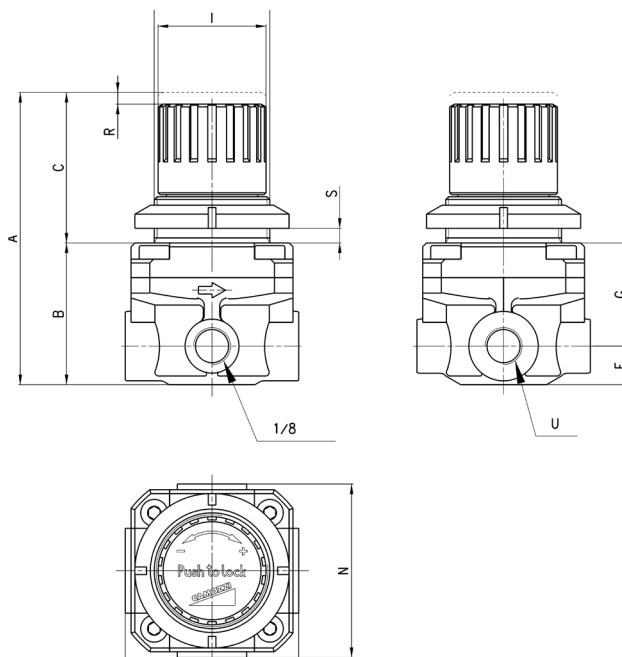


PR07



PR08



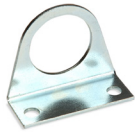
**Series M pressure microregulator**


Mod.	A	B	C	F	G	I	L	M	N	R	S	U	
<b>M008-R00</b>	76	37	39	10	27	28	M30x1,5	45	45	3	0 + 6	G1/8	
<b>M004-R00</b>	76	37	39	10	27	28	M30x1,5	45	45	3	0 + 6	G1/4	
<b>M008-R01-E-OX1</b>	76	37	39	10	27	28	M30x1,5	45	45	3	0 + 6	G1/8	*
<b>M004-R01-E-OX1</b>	76	37	39	10	27	28	M30x1,5	45	45	3	0 + 6	G1/4	*
<b>M008-R01-H</b>	76	37	39	10	27	28	M30x1,5	45	45	3	0 + 6	G1/8	*
<b>M008-R01-H</b>	76	37	39	10	27	28	M30x1,5	45	45	3	0 + 6	G1/4	*

\* = Available on demand

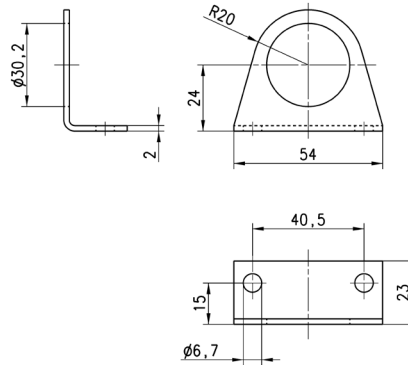
### Mounting bracket Mod. C114-ST

For regulators and filter-regulators (G1/4 - G1/8)



Supplied with:  
 1x bracket

**Material:**  
 zinc-plated steel



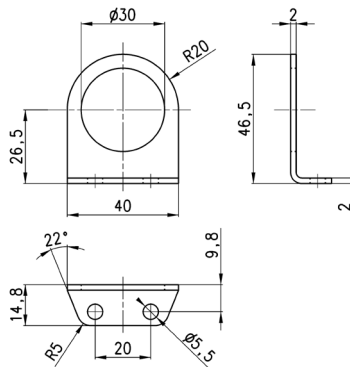
<b>Mod.</b>
C114-ST

### Mounting bracket Mod. 114-ST/1

For regulators and filter-regulators (G1/4 - G1/8)



**Material:**  
 zinc-plated steel



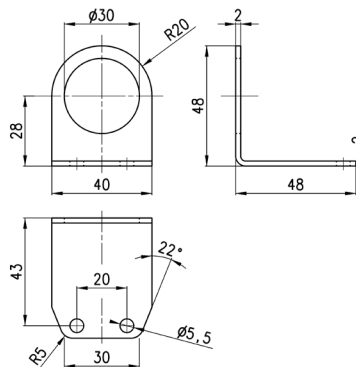
<b>Mod.</b>
C114-ST/1

### Mounting bracket Mod. C114-ST/2

For regulators and filter-regulators (G1/4 - G1/8)



**Material:**  
 zinc-plated steel



<b>Mod.</b>
C114-ST/2