

MICRO PRESSURE REGULATORS

SERIES CLR

Ports G1/4, G1/8
With banjo stem with or without relieving
Available with or without banjo



- Extremely lightweight
- Compact
- In-line or console mounting

Series CLR micro pressure regulators are available with G1/8 and G1/4 connections. A piston with or without relieving and VS function (by-pass valve) has been incorporated into its design. The body is in brass, while the connection fitting is in technopolymer which guarantees maximum lightness. They can be supplied with or without banjo and can be console mounted.

With a threaded top part of the body both direct mounting to a valve outlet (1/8 and 1/4 threads) and console mounting are easily facilitated. The pressure is precisely regulated simply by turning the polymer knob with a locking nut available to set the desired output.

General Data

Construction	Piston
Materials	Brass body, technopolymer banjo, stainless steel spring; NBR O-ring
Ports	G1/8 - G1/4
Weight	0,035 Kg
Mounting	In-line or panel mounting (in any position)
Working temperature	-5°C ÷ 50°C (with the dew point of the fluid lower than 2°C at the min. working temperature)
Inlet pressure	2 ÷ 10 bar
Outlet pressure	0,5 ÷ 10 bar
Nominal flow	See FLOW DIAGRAMS on the following pages
Secondary pressure (relieving)	With relieving (standard) Without relieving (all regulators are provided with high relief flow VS function)
Fluid	Compressed air

MICRO PRESSURE REGULATORS
SERIES CLR - CODING EXAMPLES

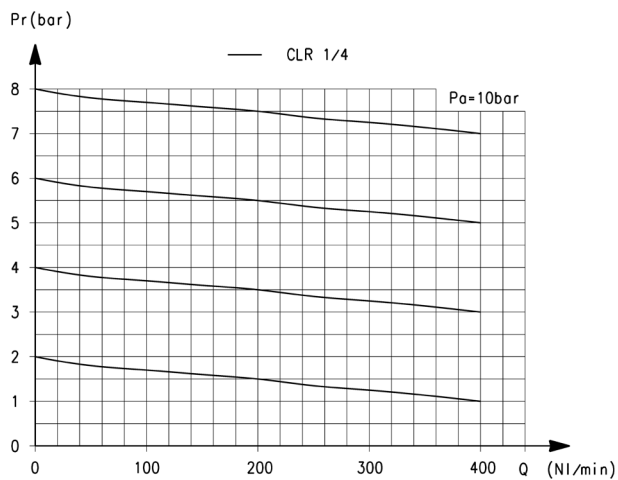
Coding Example

CL	R	1/8	-	01	-	4
CL	SERIES					
R	REGULATOR					
1/8	PORTS 1/8 = G1/8 1/4 = G1/4					
01	DESIGN TYPE = With relieving 01 = Without relieving					
4	TUBE = Without banjo 4 = Single technopolymer banjo with tube diameter Ø4 mm (only CLR 1/8) 6 = Single technopolymer banjo with tube diameter Ø6 mm 8 = Single technopolymer banjo with tube diameter Ø8 mm 1/8L = Single metal banjo with thread G1/8 (only CLR 1/8) 1/8D = Double metal banjo with double thread G1/8 (only CLR 1/8)					

AIR TREATMENT

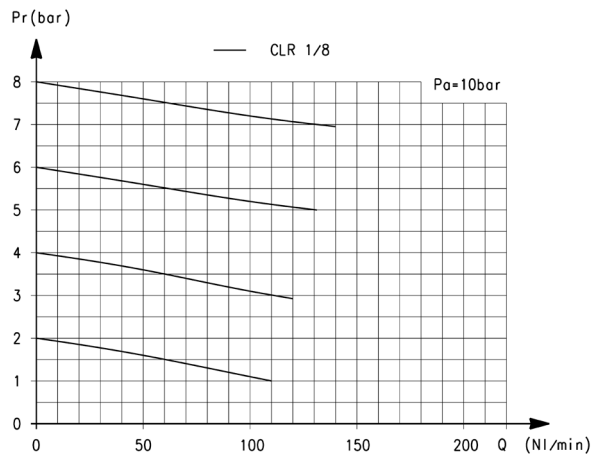
9

Flow diagrams at 6 bar with ΔP1



Pa = Inlet pressure (bar)
 Pr = Regulated pressure (bar)
 Q = Flow (NI/min)

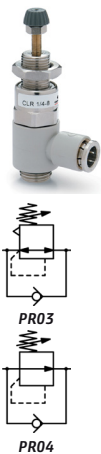
CLR 1/4-6 = 209 NI/min
 CLR 1/4-8 = 310 NI/min



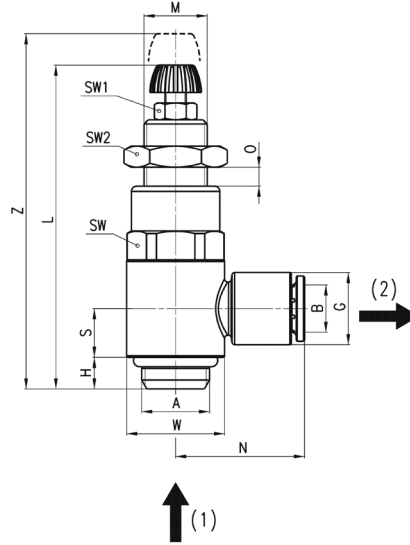
Pa = Inlet pressure (bar)
 Pr = Regulated pressure (bar)
 Q = Flow (NI/min)

CLR 1/8-4 = 90 NI/min
 CLR 1/8-6 = 120 NI/min
 CLR 1/8-8 = 120 NI/min

Micro pressure regulators with banjo



PR03 = Regulator with relieving and by-pass valve
 PR04 = Regulator without relieving and with by-pass valve



(1) = Inlet pressure
 (2) = Regulated pressure

Mod.	A	B	G	H	L	M	N	O	S	W	SW	SW1	SW2	Z
CLR 1/8-4	G1/8	4	11,6	5	52	M11x1	21	0 ÷ 6,5	7,75	14	14	7	14	59
CLR 1/8-6	G1/8	6	11,6	5	52	M11x1	21	0 ÷ 6,5	7,75	14	14	7	14	59
CLR 1/8-8	G1/8	8	13,9	5	52	M11x1	22,5	0 ÷ 6,5	7,75	14	14	7	14	59
CLR 1/4-6	G1/4	6	13,9	6	59,5	M12x1	24,5	0 ÷ 8	9,25	18,6	17	7	17	68
CLR 1/4-8	G1/4	8	13,9	6	59,5	M12x1	24,5	0 ÷ 8	9,25	18,6	17	7	17	68

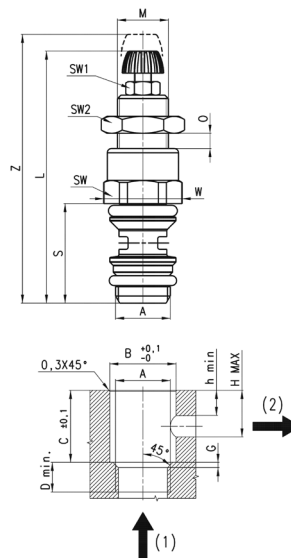
AIR TREATMENT

9

Series CLR Micro pressure regulators without banjo



PR03 = Regulator with relieving and by-pass valve
 PR04 = Regulator without relieving and with by-pass valve

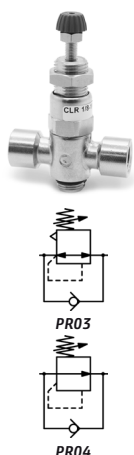


(1) = Inlet pressure
 (2) = Regulated pressure

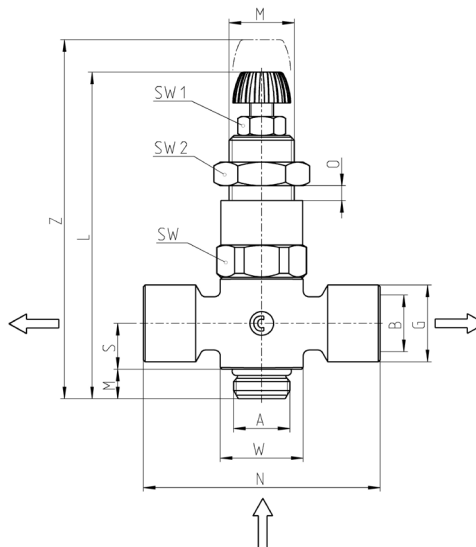
Mod.	A	B	C	D min.	G	h min.	H MAX	L	M	O	S	W	SW	SW1	SW2	Z
CLR 1/8	G1/8	11	15,5	6	1	5,5	10	52	M11x1	0 ÷ 6,5	20,5	15,2	14	7	14	59
CLR 1/4	G1/4	15,65	18,5	7	1,25	7	12	59,5	M12x1	0 ÷ 8	24,5	18,5	17	7	17	68

MICRO PRESSURE REGULATORS
SERIES CLR - DIMENSIONS

Series CLR Micro pressure regulators with double banjo



PR03 = Regulator with relieving and by-pass valve
PR04 = Regulator without relieving and with by-pass valve



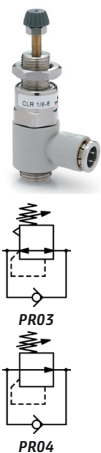
(1) = Inlet pressure
(2) = Regulated pressure

Mod.	A	B	G	H	L	M	N	O	S	W	SW	SW1	SW2	Z
CLR 1/8-1/BD	G1/8	G1/8	13	5	52	M11x1	40	0 + 6,5	7,75	14	14	7	14	59

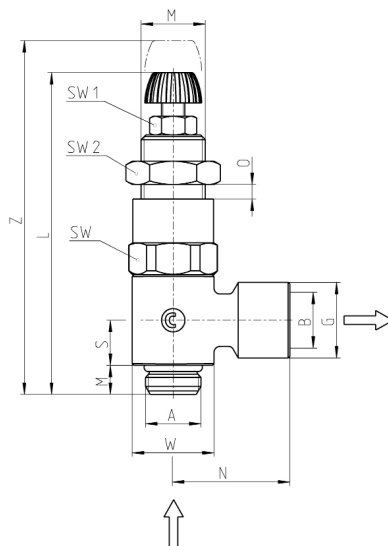
AIR TREATMENT

9

Series CLR Micro pressure regulators with banjo



PR03 = Regulator with relieving and by-pass valve
PR04 = Regulator without relieving and with by-pass valve



(1) = Inlet pressure
(2) = Regulated pressure

Mod.	A	B	G	H	L	M	N	O	S	W	SW	SW1	SW2	Z
CLR 1/8-1/8L	G1/8	G1/8	13	5	52	M11x1	20	0 + 6,5	7,75	14	14	7	14	59