

STAINLESS STEEL CYLINDERS

SERIES 90

Single- and double-acting, cushioned, magnetic
 ø 32, 40, 50, 63, 80, 100 and 125 mm



- In compliance with ISO 15552 standard and with the previous DIN/ISO 6431 - VDMA 24562 standard
- Clean design
- Stainless steel AISI 316
- End-stroke cushioning

The Series 90 cylinders can be used in critical applications in which a high corrosion resistance is required (for example off-shore, marine, food).

This series of cylinders is normally equipped with end of stroke buffers with adjustable pneumatic cushioning.

Moreover, they are equipped with a mechanical cushioning that makes the impact of the piston less noisy as it reaches the end of the stroke.

General Data

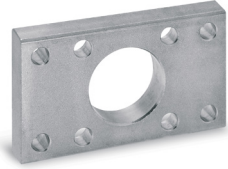
Construction	with tie-rods
Operation	single-acting or double-acting
Design	ISO 15552
Materials	- end blocks, barrel and rod in stainless steel AISI 316 - seals in NBR - plastic guiding element, NSF H1-certified lubricant
Mountings	several types of cylinders mounting brackets available
Strokes min. max	10 ÷ 800 mm
Operating temperature	0°C ÷ 80°C (with dry air - 20°C)
Operating pressure	1 ÷ 10 bar
Speed	10 ÷ 1000 mm/sec (no load)
Fluid	Filtered air, without lubrication. If lubricated air is used, it is recommended to use oil ISOVG32. Once applied the lubrication should never be interrupted.

Accessories

Foot mount Mod. B



Front and rear flange Mod. D-E



Rear trunnion, female Mod. C-H



Rear trunnion, male Mod. L



Tight rear female tr. bracket Mod. CR



Male tr. bracket with swivel ball joint Mod. R



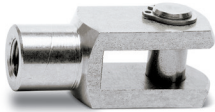
90° male tr. bracket + sw. ball joint Mod. ZCR



90° male trunnion Mod. ZC



Rod fork end Mod. G INOX



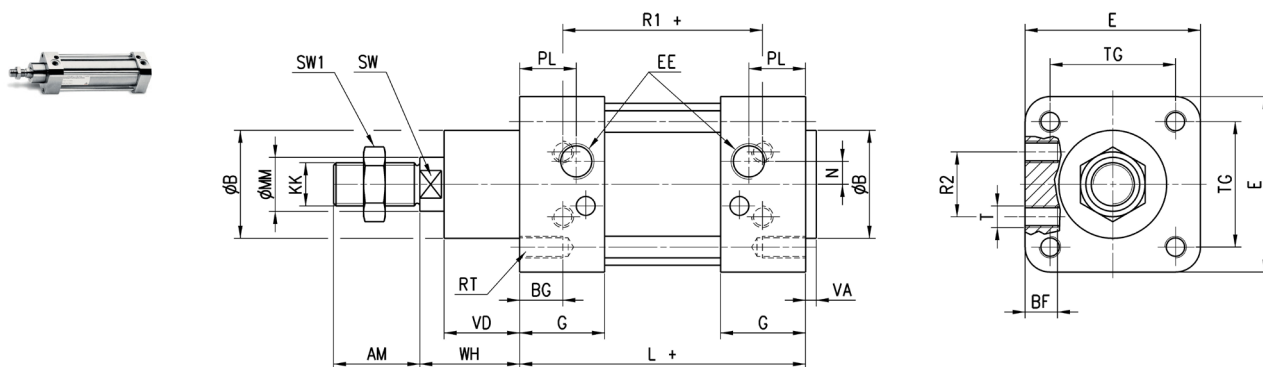
Anti-rotation clevis pin Mod. SR-90



Clevis pin Mod. S-90



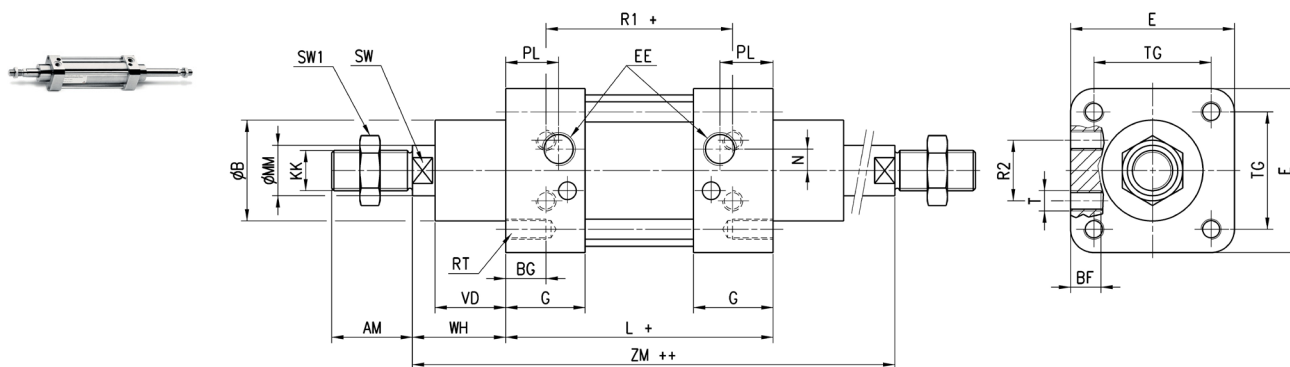
Cylinders Series 90



+= add the stroke

Ø	AM	B	BF	BG	E	EE	G	KK	L	MM	N	PL	RT	R1	R2	SW	SW1	T	TG	VA	VD	WH
32	22	30	10	16	45	G1/8	28	M10x1,25	94	12	4,5	14	M6	64	16	10	17	M5	32,5	4	20	26
40	24	35	10	16	55	G1/4	31,5	M12x1,25	105	16	5,5	16	M6	70	21	13	19	M6	38	4	22	30
50	32	40	12	16	65	G1/4	31,5	M16x1,5	106	20	8,5	21	M8	74	24	17	24	M8	46,5	4	28	37
63	32	45	12	16	80	G3/8	35	M16x1,5	121	20	8,5	22	M8	85	33	17	24	M8	56,5	4	28	37
80	40	45	15	16	95	G3/8	36	M20x1,5	128	25	8,5	23	M10	92	34	21	30	M10	72	4	34	46
100	40	55	15	16	115	G1/2	41	M20x1,5	138	25	10	26	M10	100	58	21	30	M10	89	4	38	51
125	54	60	24	20	140	G1/2	45	M27x2	160	32	12,5	30	M12	110	65	27	41	M12	110	5	50	65

Cylinders Series 90 - through-rod


 += add the stroke once
 ++ add the stroke twice

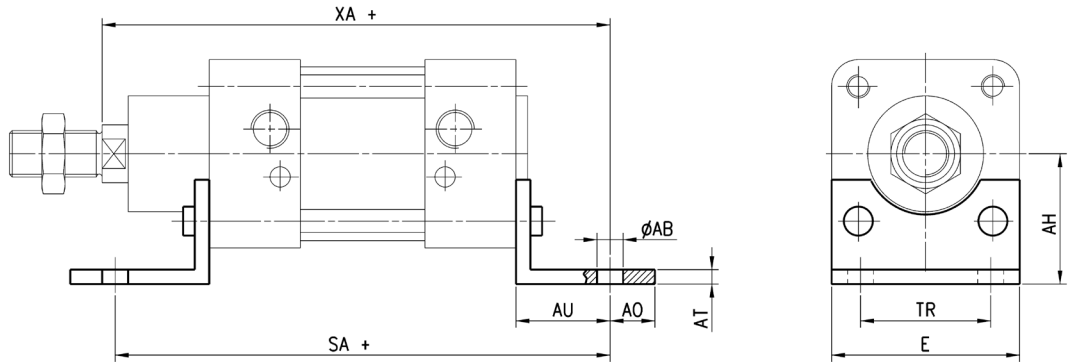
Ø	AM	B	BF	BG	E	EE	G	KK	L	MM	N	PL	RT	R1	R2	SW	SW1	T	TG	VD	WH	ZM
32	22	30	10	16	45	G1/8	28	M10x1,25	94	12	4,5	14	M6	64	16	10	17	M5	32,5	20	26	146
40	24	35	10	16	55	G1/4	31,5	M12x1,25	105	16	5,5	16	M6	70	21	13	19	M6	38	22	30	165
50	32	40	12	16	65	G1/4	31,5	M16x1,5	106	20	8,5	21	M8	74	24	17	24	M8	46,5	28	37	180
63	32	45	12	16	80	G3/8	35	M16x1,5	121	20	8,5	22	M8	85	33	17	24	M8	56,5	28	37	195
80	40	45	15	16	95	G3/8	36	M20x1,5	128	25	8,5	23	M10	92	34	21	30	M10	72	34	46	220
100	40	55	15	16	115	G1/2	41	M20x1,5	138	25	10	26	M10	100	58	21	30	M10	89	38	51	240
125	54	60	24	20	140	G1/2	45	M27x2	160	32	12,5	30	M12	110	65	27	41	M12	110	50	65	290

Foot mount Mod. B INOX



Material: Stainless steel 316

Supplied with:
 2x feet
 4x screws



+ = add the stroke

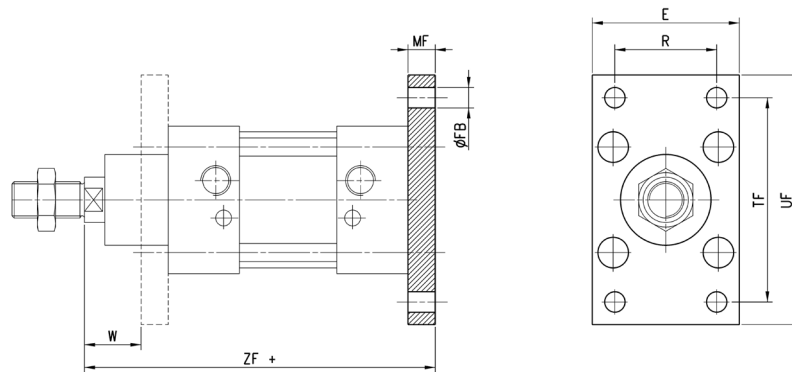
Mod.	Ø	øAB	AH	AO	AT	AU	E	TR	SA+	XA+
B-90-32	32	7	32	11	4	24	45	32	142	144
B-90-40	40	9	36	8	4	28	52	36	161	163
B-90-50	50	9	45	15	5	32	65	45	170	175
B-90-63	63	9	50	13	5	32	75	50	185	190
B-90-80	80	12	63	14	6	41	95	63	210	215
B-90-100	100	14	75	16	6	41	115	75	220	230
B-90-125	125	16	90	25	8	45	140	90	250	270

Front and rear flange Mod. D-E INOX



Material: Stainless steel 316

Supplied with:
 1x flange
 4x screws



+ = add the stroke

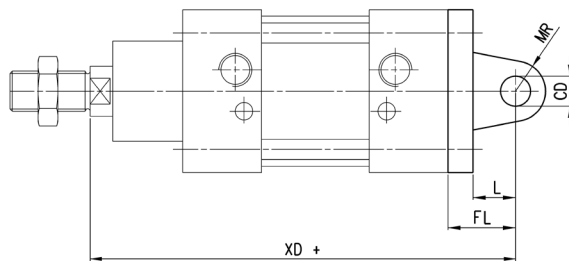
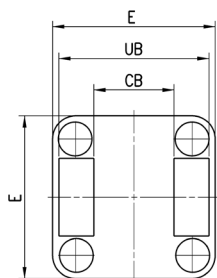
Mod.	Ø	E	øFB	MF	TF	UF	W	ZF+	R
D-E-90-32	32	45	7	10	64	80	16	130	32
D-E-90-40	40	52	9	10	72	90	20	145	36
D-E-90-50	50	65	9	12	90	110	25	155	45
D-E-90-63	63	75	9	12	100	120	25	170	50
D-E-90-80	80	95	12	15	126	150	30	190	63
D-E-90-100	100	115	14	15	150	170	35	205	75
D-E-90-125	125	140	16	20	180	205	45	245	90

STAINLESS STEEL CYLINDERS
SERIES 90 - ACCESSORIES

PNEUMATIC ACTUATION

1
Front or rear female trunnion Mod. C-H INOX

Material: Stainless Steel 316

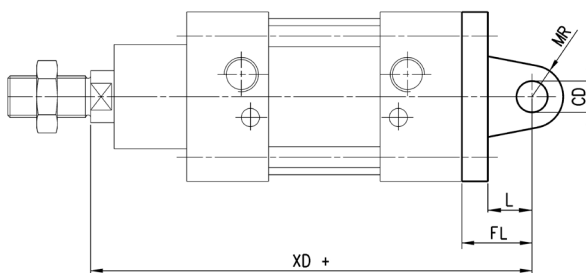
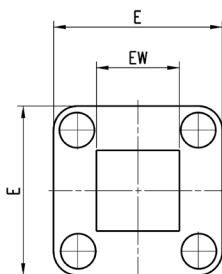
 Supplied:
 1x female trunnion
 4x screws


+ = add the stroke

Mod.	∅	CB	CD	E	FL	L	MR	UB	XD+
C-H-90-32	32	26	10	45	22	12	10	45	142
C-H-90-40	40	28	12	55	25	15	12	52	161
C-H-90-50	50	32	12	65	27	17	12	60	170
C-H-90-63	63	40	16	75	32	20	16	70	185
C-H-90-80	80	50	16	95	36	22	16	90	210
C-H-90-100	100	60	20	115	41	25	20	110	230
C-H-90-125	125	70	25	140	50	30	25	130	275

Male trunnion bracket Mod. L INOX

Material: Stainless Steel 316

 Supplied:
 1x male trunnion
 4x screws


+ = add the stroke

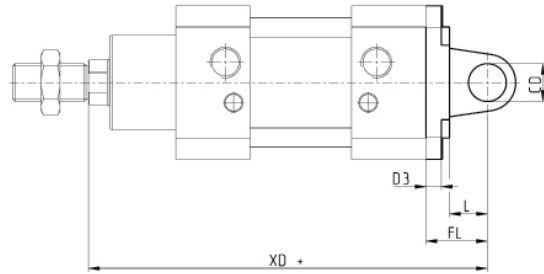
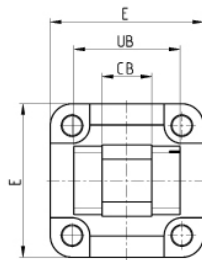
Mod.	∅	EW	CD	E	FL	L	MR	XD+
L-90-32	32	26	10	45	22	12	10	142
L-90-40	40	28	12	55	25	15	12	161
L-90-50	50	32	12	65	27	17	12	170
L-90-63	63	40	16	75	32	20	16	185
L-90-80	80	50	16	95	36	22	16	210
L-90-100	100	60	20	115	41	25	20	230
L-90-125	125	70	25	140	50	30	25	275

Tight rear female trunnion bracket Mod. CR



Material: Stainless Steel 316

Supplied with:
1x female trunnion bracket
4x screws



+ = add the stroke

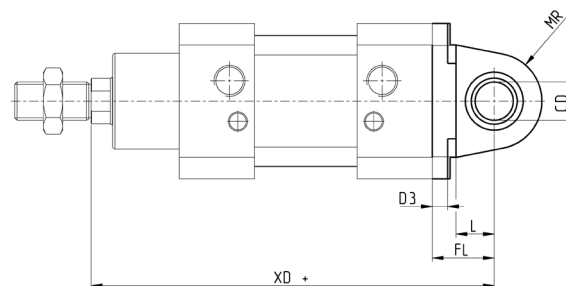
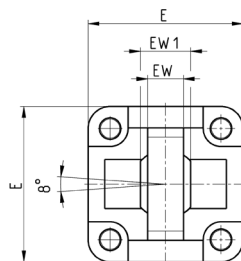
Mod.	Ø	CB	CD	E	FL	L	UB	XD	D3
CR-90-32	32	14	10	45	22	12	34	142	5,5
CR-90-40	40	16	12	55	25	25	40	161	5,5
CR-90-50	50	21	16	65	27	27	45	170	6,5
CR-90-63	63	21	16	75	32	32	51	185	6,5
CR-90-80	80	25	20	95	36	36	65	210	10
CR-90-100	100	25	20	114	41	41	75	230	10
CR-90-125	125	37	30	140	50	50	97	275	10

Male trunnion bracket with swivel ball joint Mod. R



Material: Stainless Steel 316

Supplied with:
1x male trunnion bracket
4x screws



+ = add the stroke

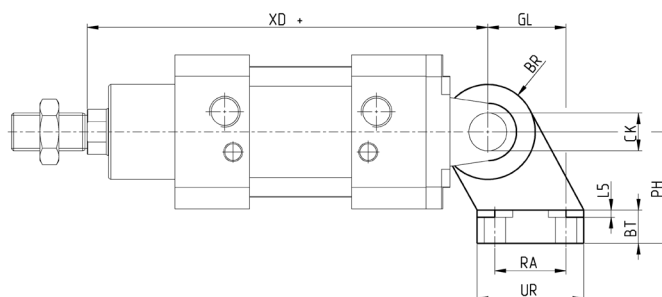
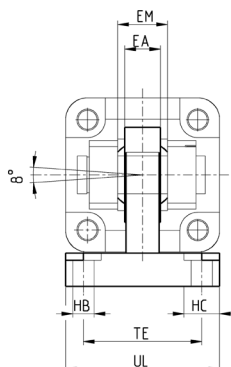
Mod.	Ø	EW	EW1	CD	E	FL	L	MR	XD	D3
R-90-32	32	10,5	14	10	45	22	12	15	142	5,5
R-90-40	40	12	16	12	55	25	15	18	161	5,5
R-90-50	50	15	21	16	65	27	17	20	170	6,5
R-90-63	63	15	21	16	75	32	20	23	185	6,5
R-90-80	80	18	25	20	95	36	22	27	210	10
R-90-100	100	18	25	20	115	41	25	30	230	10
R-90-125	125	25	37	30	140	50	30	40	275	10

STAINLESS STEEL CYLINDERS
SERIES 90 - ACCESSORIES
90° male trunnion bracket with swivel ball joint Mod. ZCR

PNEUMATIC ACTUATION


Material: Stainless Steel 316

 Supplied with:
 1x male trunnion bracket
 4x screws

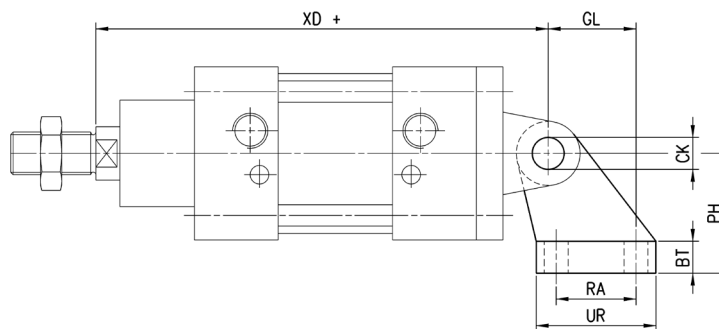
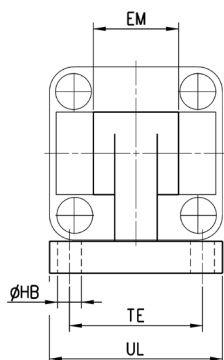
1


+ = add the stroke

Mod.	∅	UL	TE	EA	EM	XD	GL	BR	CK	PH	L5	BT	HB	RA	UR	HC
ZCR-90-32	32	51	38	10,5	14	142	21	15	10	32	1,5	10	6,6	18	31	11
ZCR-90-40	40	54	41	12	16	160	24	18	12	36	1,5	10	6,6	22	35	11
ZCR-90-50	50	65	50	15	21	170	33	20	16	45	1,5	12	9	30	45	15
ZCR-90-63	63	67	52	15	21	190	37	23	16	50	1,5	12	9	35	50	15
ZCR-90-80	80	86	66	18	25	210	47	27	20	63	2,5	14	11	40	60	18
ZCR-90-100	100	96	76	18	25	230	55	30	20	71	2,5	15	11	50	70	18
ZCR-90-125	125	124	94	25	37	275	70	40	30	90	3	20	13,5	60	90	20

90° male trunnion Mod. ZC

Material: Stainless Steel 316

 Supplied with:
 1x male support


+ = add the stroke

Mod.	∅	BT	CK	EM	GL	∅HB	PH	RA	TE	UL	UR	XD+
ZC-90-32	32	8	10	26	21	6,6	32	18	38	51	31	142
ZC-90-40	40	10	12	28	24	6,6	36	22	41	54	35	161
ZC-90-50	50	12	12	32	33	9	45	30	50	65	45	170
ZC-90-63	63	12	16	40	37	9	50	35	52	67	50	185
ZC-90-80	80	14	16	50	47	11	63	40	66	86	60	210
ZC-90-100	100	15	20	60	55	11	71	50	76	96	70	230
ZC-90-125	125	20	25	70	70	14	90	60	94	124	90	275

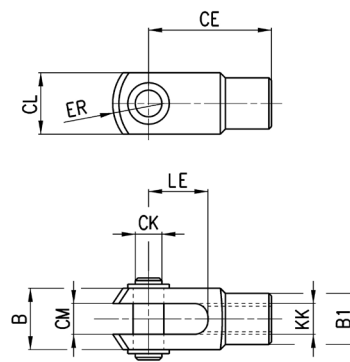
Rod fork end INOX Mod. G



ISO 8140

Material:
stainless steel 303

Mod.	∅	_e CK	LE	CM	CL	ER	CE	KK	B	_e B1
G-90-25-32	32	10	20	10	20	12	40	M10x1,25	26	18
G-90-40	40	12	24	12	24	14	48	M12x1,25	31	20
G-90-50-63	50-63	16	32	16	32	19	64	M16x1,5	39	26
G-90-80-100	80-100	20	40	20	40	25	80	M20x1,5	50	34
G-90-125	125	30	54	30	55	38	110	M27x2	67	48



PNEUMATIC ACTUATION

1

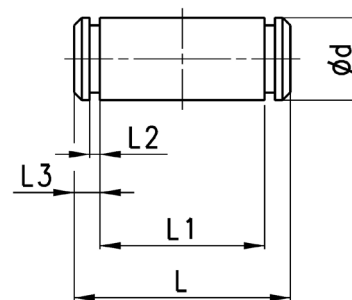
Clevis pin Mod. S INOX



Material: Stainless Steel 303

Supplied with:
1x clevis pin
2x seeger (steel)

Mod.	∅	_e D	L	L1	L2	L3
S-90-32	32	10	53	46	1,1	3
S-90-40	40	12	60	53	1,1	3
S-90-50	50	12	68	61	1,1	3
S-90-63	63	16	78	71	1,1	3
S-90-80	80	16	98	91	1,1	3
S-90-100	100	20	118	111	1,3	5
S-90-125	125	25	139	132	1,3	4,2



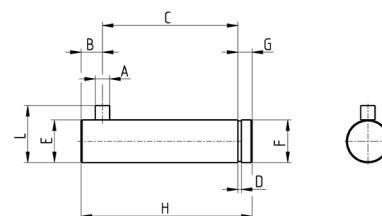
Antirotating clevis pin Mod. SR INOX



Material: Stainless Steel 316

Supplied with:
1x antirotating clevis pin
1x seeger (steel)

Mod.	∅	A	B	C	D	E	F	G	H	L
SR-90-32	32	3	4,5	32,5	1,1	10	9,6	4	41	14
SR-90-40	40	4	6	38	1,1	12	11,5	4	48	16
SR-90-50	50	4	6	43	1,1	16	15,2	5	54	20
SR-90-63	63	4	6	49	1,1	16	15,2	5	60	20
SR-90-80	80	4	6	63	1,3	20	19	6	75	24
SR-90-100	100	4	6	73	1,3	20	19	6	85	24
SR-90-125	125	6	9	94	1,6	30	28,6	7	110	36

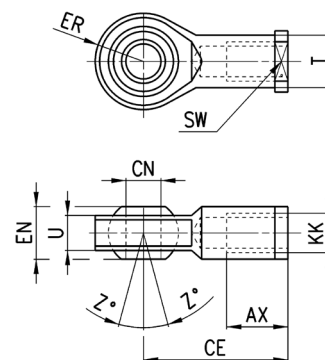


STAINLESS STEEL CYLINDERS
SERIES 90 - ACCESSORIES

PNEUMATIC ACTUATION

1
Swivel ball joint Mod. GA INOX

ISO 8139

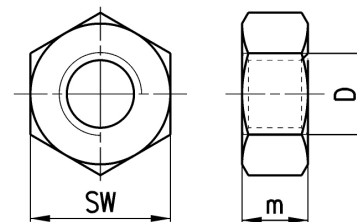
 Materials:
 - stainless steel 304 bracket
 - stainless steel 420
 spherical ring
 - sintered bronze bushing


Mod.	∅	∅ _{CN}	U	EN	ER	AX	CE	KK	∅ _T	Z	SW
GA-90-32	32	10	10,5	14	14	20	43	M10x1,25	15	6,5	17
GA-90-40	40	12	12	16	16	22	50	M12x1,25	17,5	6,5	19
GA-90-50-63	50-63	16	15	21	21	28	64	M16x1,5	22	7,5	22
GA-90-80-100	80-100	20	18	25	21	33	77	M20x1,5	27,5	7	30
GA-90-125	125	30	25	35	35	51	110	M27x2	40	7,5	41

Piston rod nut Mod. U INOX

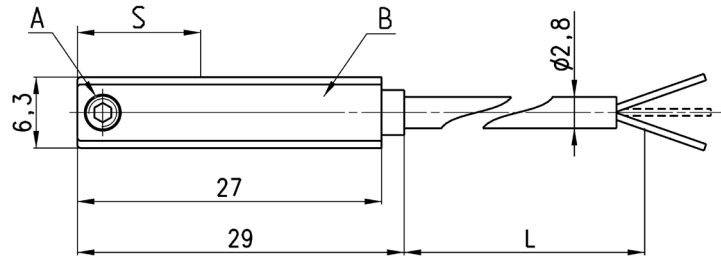
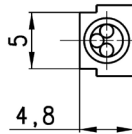
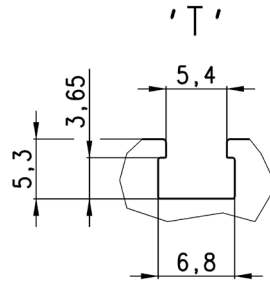
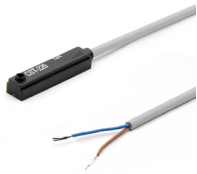
ISO 4035

Material: Stainless Steel 304



Mod.	∅	D	M	SW
U-90-25-32	32	M10x1,25	6	17
U-90-40	40	M12x1,25	7	19
U-90-50-63	50-63	M16x1,5	8	24
U-90-80-100	80-100	M20x1,5	9	30
U-90-125	125	M27x2	12	41

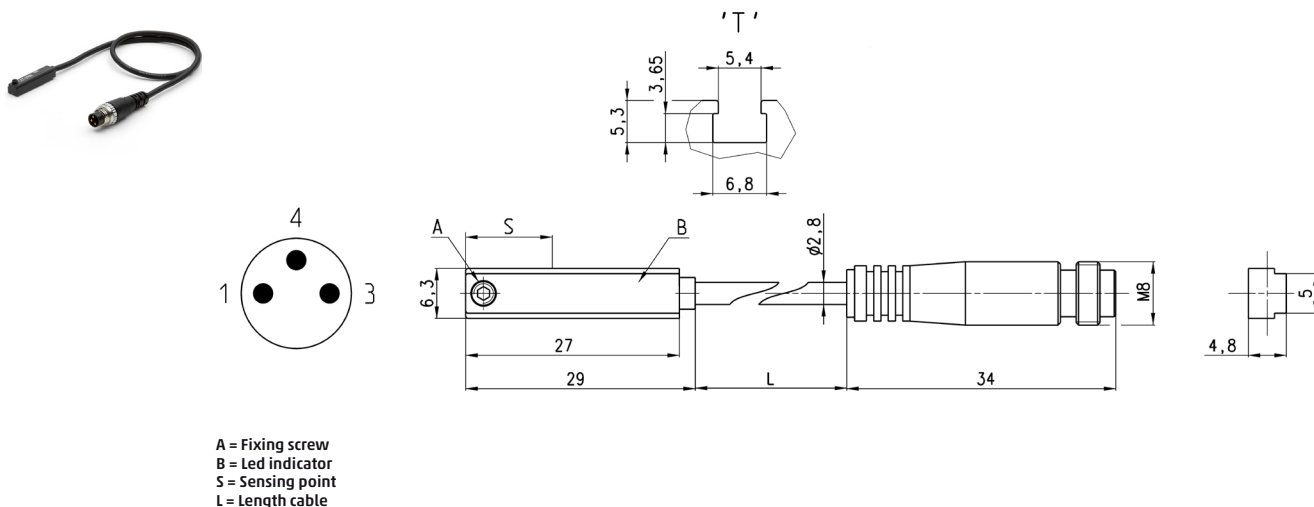
Magnetic proximity switches with 2 or 3 wire cable for T-slot



Mod.	Operation	Connections	Voltage	Output	Max. current	Max Load	Protection	L	S	LED colour
CST-220*	Reed	2 wires	10 ÷ 110 V AC/DC-230 V AC	-	250 mA	10 VA / 8 W	None	2 m	14,5 mm	Yellow
CST-220-5*	Reed	2 wires	10 ÷ 110 V AC/DC-230 V AC	-	250 mA	10 VA / 8 W	None	5 m	14,5 mm	Yellow
CST-220EX	Reed	2 wires	10 ÷ 110 V AC/DC-230 V AC	-	250 mA	10 VA / 8 W	None	2 m	14,5 mm	Yellow
CST-220-5EX	Reed	2 wires	10 ÷ 110 V AC/DC-230 V AC	-	250 mA	10 VA / 8 W	None	5 m	14,5 mm	Yellow
CST-220-12EX	Reed	2 wires	10 ÷ 110 V AC/DC-230 V AC	-	250 mA	10 VA / 8 W	None	12 m	14,5 mm	Yellow
CST-232	Reed	3 wires	5 ÷ 30 V AC/DC	PNP	250 mA	10 VA / 8 W	Against polarity reversing	2 m	14,5 mm	Yellow
CST-232-5	Reed	3 wires	5 ÷ 30 V AC/DC	PNP	250 mA	10 VA / 8 W	Against polarity reversing	5 m	14,5 mm	Yellow
CST-232EX	Reed	3 wires	5 ÷ 30 V AC/DC	PNP	250 mA	10 VA / 8 W	Against polarity reversing	2 m	14,5 mm	Yellow
CST-232-5EX	Reed	3 wires	5 ÷ 30 V AC/DC	PNP	250 mA	10 VA / 8 W	Against polarity reversing and overvoltage	5 m	14,5 mm	Yellow
CST-332	Magnetostrictive	3 wires	10 ÷ 27 V DC	PNP	100 mA	6 W	Against polarity reversing and overvoltage	2 m	7,5 mm	Yellow
CST-332-5	Magnetostrictive	3 wires	10 ÷ 27 V DC	PNP	100 mA	6 W	Against polarity reversing and overvoltage	5 m	7,5 mm	Yellow
CST-332EX	Magnetostrictive	3 wires	10 ÷ 27 V DC	PNP	100 mA	6 W	Against polarity reversing and overvoltage	2 m	7,5 mm	Yellow
CST-332-5EX	Magnetostrictive	3 wires	10 ÷ 27 V DC	PNP	100 mA	6 W	Against polarity reversing and overvoltage	5 m	7,5 mm	Yellow
CST-432	Reed	3 wires	5 ÷ 30 V AC/DC	PNP-NC	250 mA	10 VA / 8 W	Against polarity reversing	2 m	14,5 mm	Yellow
CST-432-5	Reed	3 wires	5 ÷ 30 V AC/DC	PNP-NC	250 mA	10 VA / 8 W	Against polarity reversing	5 m	14,5 mm	Yellow
CST-432EX	Reed	3 wires	5 ÷ 30 V AC/DC	PNP-NC	250 mA	10 VA / 8 W	Against polarity reversing	2 m	14,5 mm	Yellow
CST-432-5EX	Reed	3 wires	5 ÷ 30 V AC/DC	PNP-NC	250 mA	10 VA / 8 W	Against polarity reversing	5 m	14,5 mm	Yellow
CST-532	Hall effect	3 wires	10 ÷ 27 V DC	PNP	100 mA	6 W	Against polarity reversing and overvoltage	2 m	8,5 mm	Yellow
CST-532-5	Hall effect	3 wires	10 ÷ 27 V DC	PNP	100 mA	6 W	Against polarity reversing and overvoltage	5 m	8,5 mm	Yellow
CST-532EX	Hall effect	3 wires	10 ÷ 27 V DC	PNP	100 mA	6 W	Against polarity reversing and overvoltage	2 m	8,5 mm	Yellow
CST-532-5EX	Hall effect	3 wires	10 ÷ 27 V DC	PNP	100 mA	6 W	Against polarity reversing and overvoltage	5 m	8,5 mm	Yellow

*Mod. CST-220, CST-220-5:
in case of polarity reversing the sensor will still be operating, but the LED diode won't turn on.

Magnetic proximity switches with M8 3-pin connector for T-slot



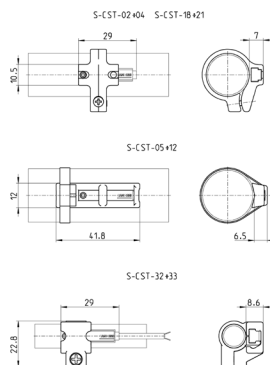
Mod.	Operation	Connection	Voltage	Output	Max. current	Max Load	Protection	L	S	LED colour
CST-250N*	Reed	2 wires M8 male 3 pin	10 ÷ 110 V AC/DC	-	250 mA	10 VA / 8 W	None	0,3 m	14,5 mm	Yellow
CST-250NEX	Reed	2 wires M8 male 3 pin	10 ÷ 110 V AC/DC	-	250 mA	10 VA / 8 W	None	0,3 m	14,5 mm	Yellow
CST-262	Reed	3 wires M8 male 3 pin	5 ÷ 30 V AC/DC	PNP	250 mA	10 VA / 8 W	Against polarity reversing	0,3 m	14,5 mm	Yellow
CST-262EX	Reed	3 wires M8 male 3 pin	5 ÷ 30 V AC/DC	PNP	250 mA	10 VA / 8 W	Against polarity reversing	0,3 m	14,5 mm	Yellow
CST-362	Magneto-resistive	3 wires M8 male 3 pin	10 ÷ 27 V DC	PNP	100 mA	6 W	Against polarity reversing and overvoltage	0,3 m	7,5 mm	Yellow
CST-362EX	Magneto-resistive	3 wires M8 male 3 pin	10 ÷ 27 V DC	PNP	100 mA	6 W	Against polarity reversing and overvoltage	0,3 m	7,5 mm	Yellow
CST-562	Hall effect	3 wires M8 male 3 pin	10 ÷ 27 V DC	PNP	100 mA	6 W	Against polarity reversing and overvoltage	0,3 m	8,5 mm	Yellow
CST-562EX	Hall effect	3 wires M8 male 3 pin	10 ÷ 27 V DC	PNP	100 mA	6 W	Against polarity reversing and overvoltage	0,3 m	8,5 mm	Yellow

*Mod. CST-250N:
in case of polarity reversing the sensor will still be operating, but the LED diode won't turn on.

Adapters for Series CST-CSG sensors



Materials:
technopolymer
(S-CST-02÷04)



Mod.	Cylinders Series	∅
S-CST-06	90, 97, 95	32 (90-97), 25 (95)
S-CST-07	90, 97	40
S-CST-08	90, 97	50
S-CST-09	90, 97	63
S-CST-10	90	80
S-CST-11	90	100
S-CST-12	90	125

Further details can be found in the "Proximity switch" chapter.