

CYLINDERS ALUMINIUM PROFILE

SERIES 61

Single and double-acting, magnetic, cushioned
Standard, low friction, low temperatures and tandem versions
Ø 32, 40, 50, 63, 80, 100, 125 mm



- In compliance with ISO 15552 standard and with the previous DIN/ISO 6431 - VDMA 24562 standard
- Rolled stainless steel rod
- Clean design with adjustable pneumatic cushioning
- Available special versions:
 - Tandem (double thrust and traction forces)
 - Low friction (friction force reduced by over 40%)
 - Low temperature (versions for -40°C and for -50°C)
 - G variant for dusty applications G (highly resistant to dust, cement, resin, mud and wood residue)

Series 61 cylinders comply with the ISO 15552 standards and can be assembled with the entire range of standard accessories. A permanent magnet, mounted on the piston in these cylinders, enables information to be received regarding the piston position by means of proximity switches mounted in grooves along the cylinder profile. These grooves can be covered with a slot cover profile.

This cylinder series is equipped with adjustable end-stroke cushioning. Moreover, they are equipped with a mechanical cushioning in order to reduce the impact of the piston as it reaches the end of the stroke.

General Data

Type of construction	With tie-rods (inside the profile)
Operation	Double-acting, single-acting, tandem Low friction version: double-acting only
Design	ISO 15552
Materials	Standard: AL end-blocks and piston, rolled stainless steel AISI 420B rod, anodized AL profile tube, zinc-plated steel tie-rods and tie-rod nuts, PU seals; Low friction: standard materials with NBR piston seal and NBR rod seal (FKM rod seal on request) Low temperature: standard materials with chrome plated stainless steel AISI 420B rod, brass rod scraper ring, stainless steel AISI 303 nuts, stainless steel AISI 420B tie-rods, PU piston seals and NBR rod seal
Type of mounting	With front / rear flange, foot mounting, with front / rear / centre / swivel trunnion
Stroke min - max	10 ÷ 2500 mm
Working temperature	Standard and low friction: 0°C ÷ 80°C (with dry air -20°C) Low temperature (-40°C version): -40°C ÷ 60°C (with dry air -40°C) Low temperature (-50°C version): -50°C ÷ 60°C (with dry air -50°C)
Working pressure	1 ÷ 10 bar (standard and low temperature); 0,1 ÷ 10 bar (low friction)
Speed	10 ÷ 1000 mm/sec, no load (standard and low temperature) 5 ÷ 1000 mm/sec, no load (low friction)
Fluid	Filtered air, without lubrication. For standard versions only: if lubricated air is used, it is recommended to use oil ISOVG32. Once applied the lubrication should never be interrupted.

Standard strokes

- = Single-acting (standard and low temperature)
- ✕ = Double-acting (standard, low friction and low temperature)

Other strokes up to 2500 mm are available on request.

Ø	25	50	75	80	100	125	150	160	200	250	300	320	400	500
32	■ ✕	■ ✕	■ ✕	✕	✕	✕	✕	✕	✕	✕	✕	✕	✕	✕
40	■ ✕	■ ✕	■ ✕	✕	✕	✕	✕	✕	✕	✕	✕	✕	✕	✕
50	■ ✕	■ ✕	■ ✕	✕	✕	✕	✕	✕	✕	✕	✕	✕	✕	✕
63	■ ✕	■ ✕	■ ✕	✕	✕	✕	✕	✕	✕	✕	✕	✕	✕	✕
80	■ ✕	■ ✕	■ ✕	✕	✕	✕	✕	✕	✕	✕	✕	✕	✕	✕
100		■ ✕	■ ✕	✕	✕	✕	✕	✕	✕	✕	✕	✕	✕	✕
125		✕	✕	✕	✕	✕	✕	✕	✕	✕	✕	✕	✕	✕

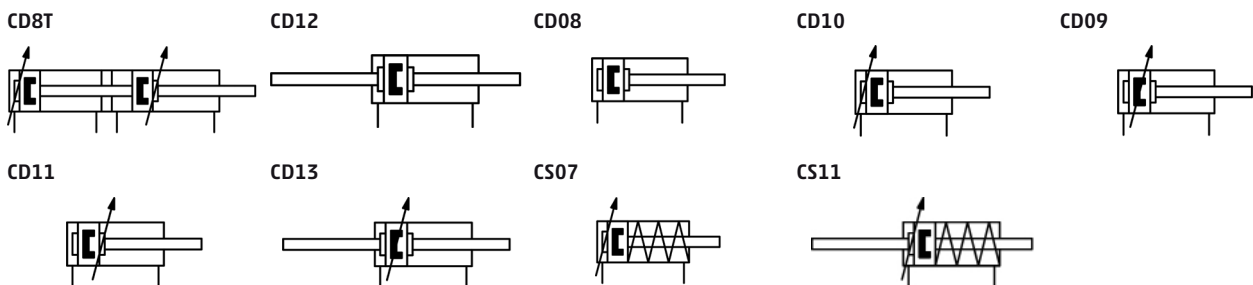
Coding Example

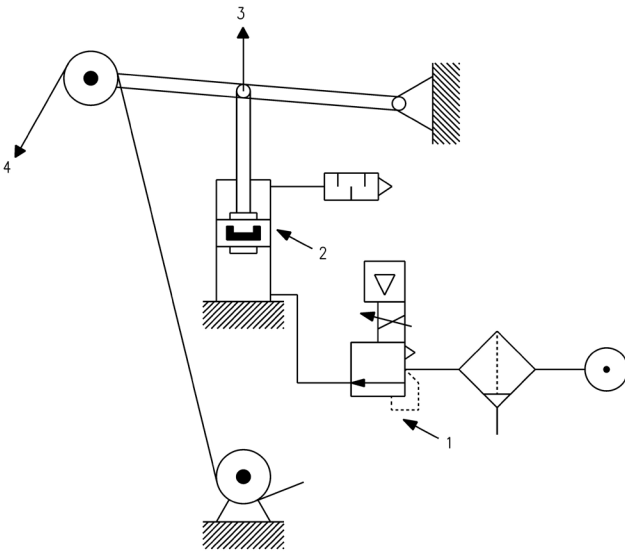
61	M	2	P	050	A	0200
61	SERIES					
M	VERSION M = Standard, magnetic L = Low friction, magnetic					
2	OPERATION 1 = Single-acting, front spring (Ø32 ± Ø100) 2 = Double-acting, front and rear cushioned 3 = Double-acting, no cushion 4 = Double-acting, rear cushioned 5 = Double-acting, front cushioned 6 = Double-acting, through-rod, front and rear cushioned 7 = Single-acting, through-rod 8 = Double-acting, through-rod, no cushion					PNEUMATIC SYMBOLS CS07 CD09 CD08 CD10 CD11 CD13 CS11 CD12
P	MATERIALS P = See the General Data table on the previous page R = Stainless steel AISI 420B tie-rods, stainless steel AISI 303 tie-rod nuts, other materials (see the previous page) C = Rolled stainless steel AISI 303 piston rod, stainless steel AISI 304 piston rod nut U = Rolled stainless steel AISI 303 piston rod, AISI 304 piston-rod nut, AISI 420B tie-rods, AISI 303 tie-rod nuts W = Rolled stainless steel AISI 304 piston rod, AISI304 piston-rod nut, AISI 420B tie-rods, AISI 303 tie-rod nuts Z = Chrome plated stainless steel AISI 420B rod, stainless steel AISI 304 rod nut, stainless steel AISI 420B tie-rods, stainless steel AISI 303 tie-rods nuts, seals for low temperature (-40°C), brass rod scraper Y = Chrome plated stainless steel AISI 420B rod, stainless steel AISI 304 rod nut, stainless steel AISI 420B tie-rods, stainless steel AISI 303 tie-rods nuts, seals for low temperature (-50°C), brass rod scraper					
050	BORE 032 = 32 mm 040 = 40 mm 050 = 50 mm 063 = 63 mm 080 = 80 mm 100 = 100 mm 125 = 125 mm					
A	CONSTRUCTION A = Standard with rod nut RL = Cylinder with rod lock					
0200	STROKE = Standard N = Tandem					
	SEAL OPTIONS = Standard R = NBR rod seal V = FKM rod seal W = All FKM seals +130°C L = Low friction version without rod seal (rear supply only) ** G = With brass rod scraper (chrome plated stainless steel AISI 420B rod, NBR rod seal) ** The possibility to order the cylinder without piston rod seal, further reduces the friction force.					
	PROTECTION OPTIONS = Standard C = PU coated cylinder. Colour: Grey [available on request]					
	ROD LENGTH = Standard (_ _ _) = Rod extended with _ _ _ mm					
	CERTIFICATIONS = Standard EX = ATEX (only for CONSTRUCTION type A)					

All double-acting cylinders are also available in the low friction version.

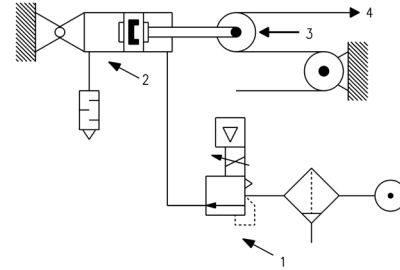
Pneumatic symbols

The pneumatic symbols which have been indicated in the Coding Example are shown below.

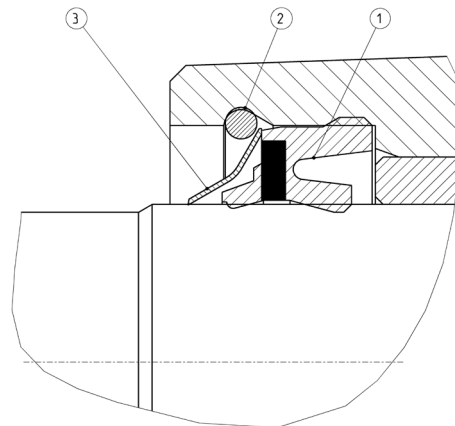
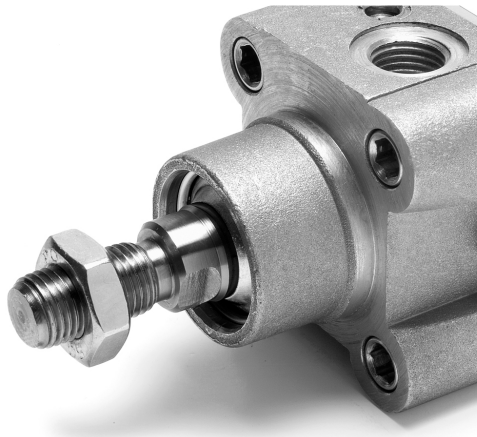


Series 61 low friction cylinders - application examples

Cylinder in thrust

1. Precision pressure regulator or proportional regulator
2. Low friction cylinder
3. Force direction
4. Band


Cylinder in traction

In order to reach the highest performance, it is recommended to connect a precision pressure regulator or a proportional regulator with the low friction cylinder as shown in the drawing.

Series 61 low temperatures cylinders - detail


- 1 = rod seal
- 2 = flexible ring
- 3 = metal scraper

Cylinders accessories Series 61

PNEUMATIC ACTUATION

1

Piston rod socket joint Mod. GY



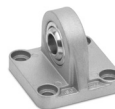
Piston rod lock nut Mod. U



Clevis pin Mod. S



Rear trunnion ball-joint Mod. R



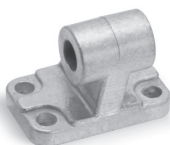
Coupling piece Mod. GKF



Swivel ball joint Mod. GA



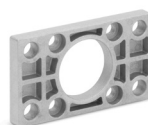
90° male trunnion Mod. ZC



Swivel Combination Mod. C+L+S



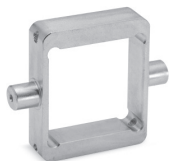
Front and rear flange Mod. D-E



Self aligning rod Mod. GK



Centre trunnion Mod. F



Foot mount Mod. B



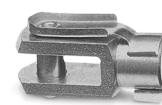
Front female trunnion Mod. H and C-H



Rear female trunnion Mod. C and C-H



Rod fork end Mod. G



Rear trunnion male Mod. L



Key to disassemble cylinders Ø 80 and 100



Counter bracket for trunnion Mod. BF



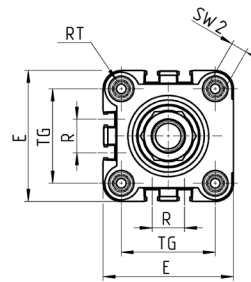
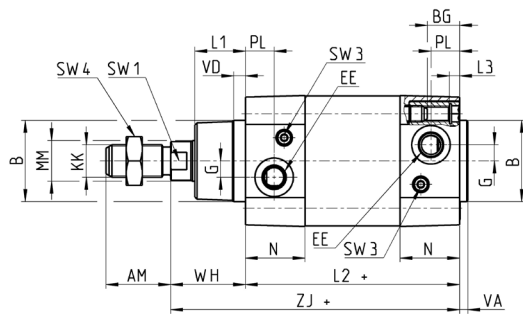
Accessory to mount valves on the cylinder



All accessories are supplied separately, except for piston rod lock nut Mod. U

Cylinders Series 61

The single-acting cylinders, sizes ZJ and L2 are increased by 25 mm.



Ø32-40-50-63-125



SW 2



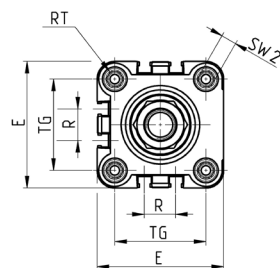
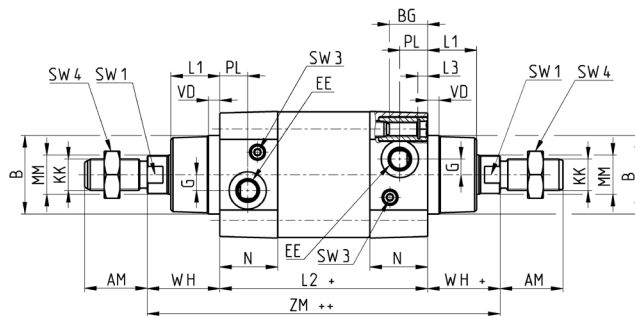
Ø80-100

+ = add the stroke

Ø	MM	KK	B	PL	L1	AM	VA	EE	WH	L2 +	L3	ZJ +	VD	N	R	BG	RT	G	TG	E	SW1	SW2	SW3	SW4	Front/rear cushion stroke
32	12	M10x1,25	30	14	18	22	4	G1/8	26	94	5	120	5	26	13	16	M6	5	32,5	46	10	6	2	17	17 / 12
40	16	M12x1,25	35	15	21	24	4	G1/4	30	105	5	135	5	29	13,5	16	M6	5	38	55	13	6	2	19	20 / 17
50	20	M16x1,5	40	15	25	32	4	G1/4	37	106	5	143	6	29,5	16	16	M8	8	46,5	64,5	17	8	3	24	15 / 14
63	20	M16x1,5	45	21	26	32	4	G3/8	37	121	5	158	6	36,5	28	16	M8	8	56,5	75	17	8	3	24	17 / 16
80	25	M20x1,5	45	21	30	40	4	G3/8	46	128	0	174	7	36	30	19	M10	8	72	93	22	*	5	30	20 / 20
100	25	M20x1,5	55	23	35	40	4	G1/2	51	138	0	189	7	38,5	40	19,5	M10	8	89	110	22	*	5	30	21 / 19
125	32	M27x2	60	23,5	42	54	6	G1/2	65	160	6	225	8	43	50	23	M12	10,5	110	135	27	12	4	41	26 / 25

Cylinders Series 61 - through-rod

The single-acting cylinders sizes ZM and L2 are increased by 25 mm.



Ø32-40-50-63-125



SW 2



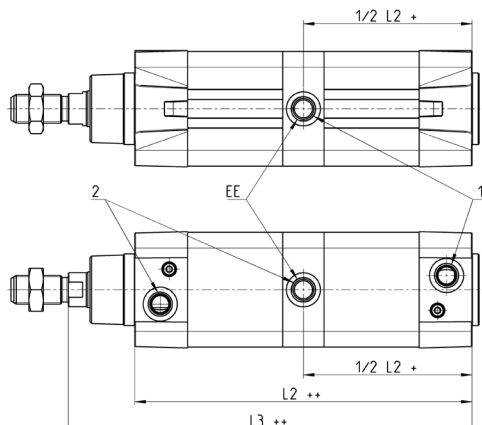
Ø80-100

+ = add the stroke once
 ++ = add the stroke twice

Ø	MM	KK	B	PL	L1	AM	EE	WH	L2 +	L3	ZM ++	VD	N	R	BG	RT	G	TG	E	SW1	SW2	SW3	SW4	Cushioning stroke
32	12	M10x1.25	30	14	18	22	G1/8	26	94	5	146	5	26	13	16	M6	5	32.5	46	10	6	2	17	17
40	16	M12x1.25	35	15	21	24	G1/4	30	105	5	165	5	29	13.5	16	M6	5	38	55	13	6	2	19	20
50	20	M16x1.5	40	15	25	32	G1/4	37	106	5	180	6	29.5	16	16	M8	8	46.5	64.5	17	8	3	24	15
63	20	M16x1.5	45	21	26	32	G3/8	37	121	5	195	6	36.5	28	16	M8	8	56.5	75	17	8	3	24	17
80	25	M20x1.5	45	21	30	40	G3/8	46	128	0	220	7	36	30	19	M10	8	72	93	22	*	5	30	20
100	25	M20x1.5	55	23	35	40	G1/2	51	138	0	240	7	38.5	40	19.5	M10	8	89	110	22	*	5	30	21
125	32	M27x2	60	23.5	42	54	G1/2	65	160	6	290	8	43	50	23	M12	10.5	110	135	27	12	4	41	26

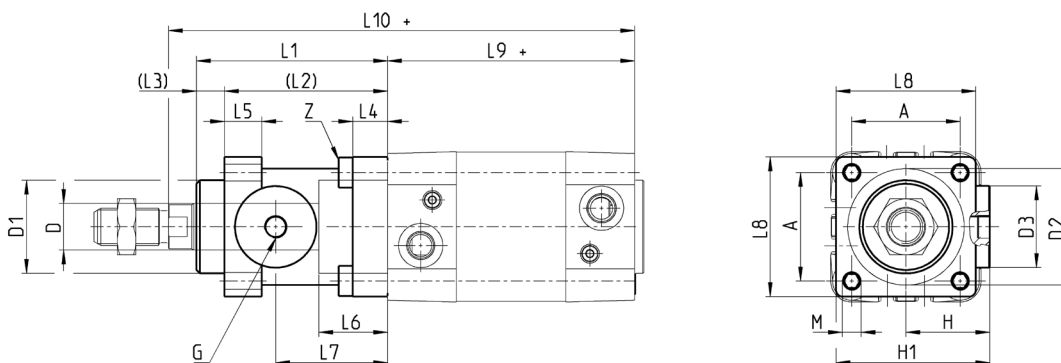
Cylinders Series 61 - tandem version

PNEUMATIC ACTUATION

1


+= add the stroke once
 ++ = add the stroke twice
 1 = cylinder's outlet
 2 = cylinder's return

∅	EE	L2 ++	L3 ++
32	G1/8	172,5	197,5
40	G1/4	191,5	221,5
50	G1/4	188	225
63	G3/8	204	241
80	G3/8	225,5	271,5
100	G1/2	231	282
125	G1/2	264	329

Cylinders Series 61 with rod lock


+= add the stroke

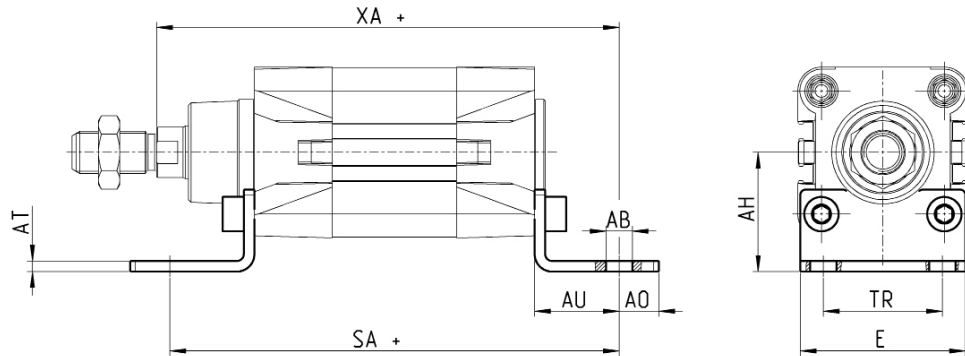
∅	∅D	∅D1	∅D2	∅D3	A	G	H	H1	L1	L2	L3	L4	L5	L6	L7	L8	L9 +	L10 +	M	Z
32	12	30,5	35	25	32,5	M5	25,5	46,5	58	48	10	8	13	20,5	34	45	94	160	M6	M6x20
40	16	35	40	28	38	G1/8	30	53	65	55	10	8	13	22,5	38	50	105	178	M6	M6x20
50	20	40	50	35	46,5	G1/8	36	64	82	70	12	15	16	29,5	48	60	106	200	M8	M6x20
63	20	45	60	38	56,5	G1/8	40	75	82	70	12	15	16	29,5	49,5	70	121	215	M8	M8x30
80	25	45	80	48	72	G1/8	50	95	110	90	20	18	20	35	61	90	128	254	M10	M10x35
100	25	55	100	58	89	G1/8	58	110,5	115	100	15	18	20	39	69	105	138	269	M10	M10x35
125	32	60	130	65	110	G1/8	80	150	167	122	45	22	30	51	86,5	140	160	350	M12	M12x40

Foot mount Mod. B



Material:
zinc plated steel

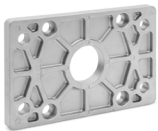
Supplied with:
2x feet mount
4x screws



+ = add the stroke

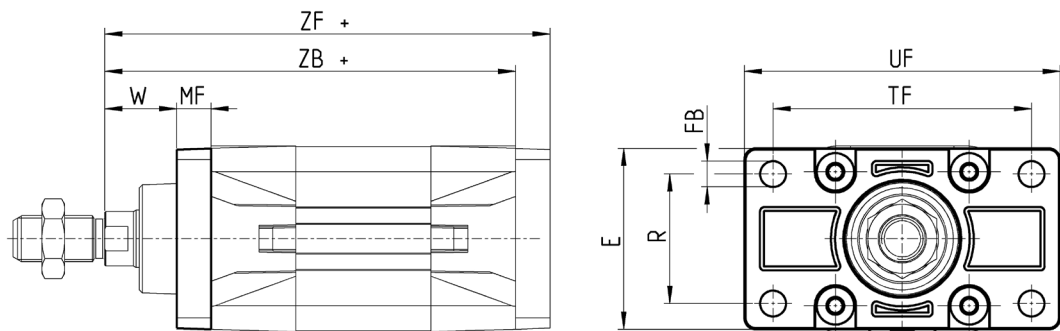
Mod.	Ø	AT	SA +	XA +	TR	E	AB	AH	AO	AU	Torque force
B-41-32	32	4	142	144	32	45	7	32	11	24	5 Nm
B-41-40	40	4	161	163	36	53,5	10	36	15	28	5 Nm
B-41-50	50	4	170	175	45	62,5	10	45	15	32	10 Nm
B-41-63	63	5	185	190	50	73	10	50	15	32	10 Nm
B-41-80	80	6	210	216	63	92	12	63	20	41	15 Nm
B-41-100	100	6	220	230	75	108,5	14,5	71	25	41	15 Nm
B-41-125	125	7	250	270	90	132	16,5	90	25	45	20 Nm

Front flange Mod. D-E



Material:
aluminium for Ø32 ÷ Ø125

Supplied with:
1x flange
4x screws

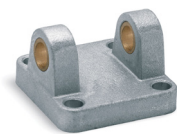


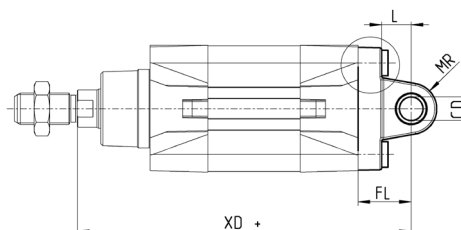
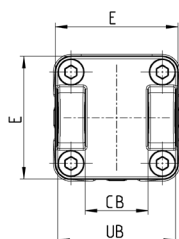
+ = add the stroke

Mod.	Ø	W	MF	ZB +	TF	R	UF	E	FB	ZF +	Torque force
D-E-41-32	32	16	10	120	64	32	80	45	7	130	5 Nm
D-E-41-40	40	20	10	135	72	36	90	52	9	145	5 Nm
D-E-41-50	50	25	12	143	90	45	110	65	9	155	10 Nm
D-E-41-63	63	25	12	158	100	50	120	75	9	170	10 Nm
D-E-41-80	80	30	16	174	126	63	150	95	12	190	15 Nm
D-E-41-100	100	35	16	189	150	75	170	115	14	205	15 Nm
D-E-41-125	125	45	20	225	180	90	220	140	16	245	20 Nm

Rear female trunnion Mod. C

PNEUMATIC ACTUATION

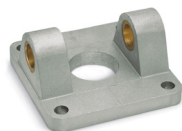

Material:
 aluminium

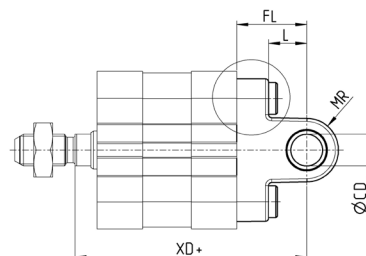
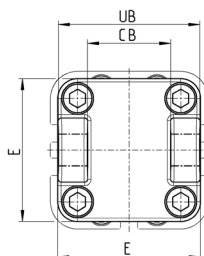
 Supplied with:
 1x female trunnion
 4x screws


Ø 32



Mod.	Ø	CD	L	FL	XD+	MR	E	CB	UB	Torque force
C-41-32	32	10	12,5	22	142	10	47	26	46,5	5 Nm
C-41-40	40	12	16	25	160	12	52	28	52	5 Nm
C-41-50	50	12	16	27	170	12	64	32	60	10 Nm
C-H-41-63	63	16	21	32	190	16	74	40	70	10 Nm
C-H-41-80	80	16	22	36	210	16	94	50	90	15 Nm
C-H-41-100	100	20	27	41	230	20	114	60	110	15 Nm
C-H-41-125	125	25	30	50	275	25	140	70	130	20 Nm

Rear female trunnion Mod. C-H

Material:
 aluminium

 Supplied with:
 1x female trunnion
 4x screws


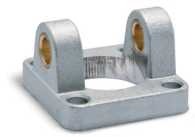
Ø 32



+ = add the stroke

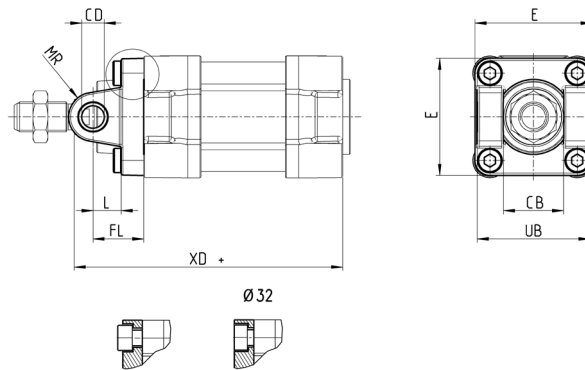
Mod.	Ø	CD	UB	E	XD+	FL	L	CD	MR	Torque force
C-H-41-63	63	40	70	74	190	32	21	16	16	10 Nm
C-H-41-80	80	50	90	94	174	36	22	16	16	15 Nm
C-H-41-100	100	60	110	114	189	41	27	20	20	15 Nm
C-H-41-125	125	70	130	140	225	50	30	25	25	20 Nm

Front female trunnion Mod. H



Material:
aluminium

Supplied with:
1x female trunnion
4x screws



+ = add the stroke

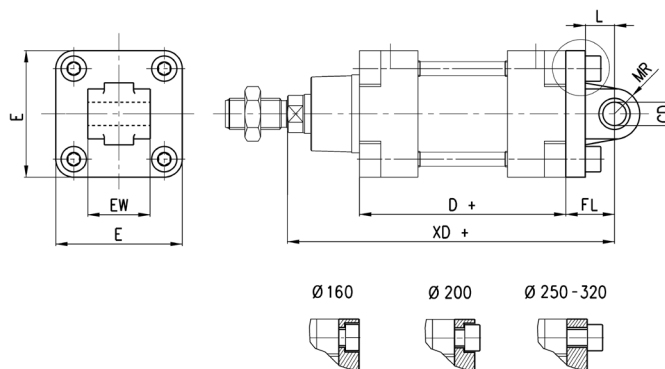
Mod.	Ø	CB	UB	E	XD+	FL	L	CD	MR	Torque force
H-41-32	32	26	46,5	47	120	22	12,5	10	10	5 Nm
H-41-40	40	28	52	52	135	25	16	12	12	5 Nm
H-41-50	50	32	60	64	143	27	16	12	12	10 Nm
H-60-63	63	40	70	74	158	32	21	16	16	10 Nm
C-H-41-80	80	50	90	94	174	36	22	16	16	15 Nm
C-H-41-100	100	60	110	114	189	41	27	20	20	15 Nm
C-H-41-125	125	70	130	140	225	50	30	25	25	20 Nm

Rear male trunnion Mod. L



Material:
aluminium

Supplied with:
1x male trunnion
4x screws



+ = add the stroke

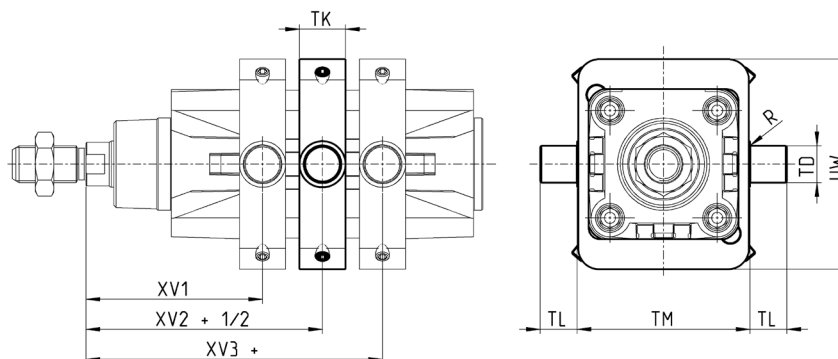
Mod.	Ø	CD	L	FL	XD	MR	E	EW	Torque force
L-41-32	32	10	12,5	22	142	10	47	26	5 Nm
L-41-40	40	12	16	25	160	12	52	28	5 Nm
L-41-50	50	12	16	27	170	12	64	32	10 Nm
L-41-63	63	16	21	32	190	15,5	74	40	10 Nm
L-41-80	80	16	22	36	210	16	94	50	15 Nm
L-41-100	100	20	27	41	230	20	114	60	15 Nm
L-41-125	125	25	30	50	275	25	140	70	20 Nm

Centre trunnion Mod. F

PNEUMATIC ACTUATION


Material:
 zinc-plated steel

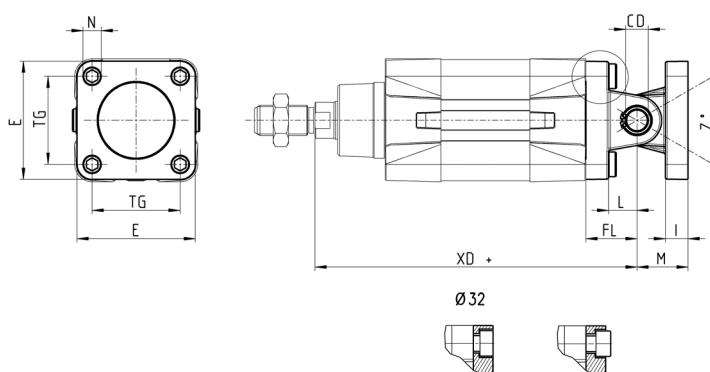
 Supplied with:
 1x centre trunnion
 4x screws
 4x fixing elements

1


+ = add the stroke

Mod.	∅	XV1	XV2	XV3	TM	TK	TD	TL	UW	R
F-61-32	32	61	73	85	50	18	12	12	65	0,1
F-61-40	40	69	82,5	96	63	20	16	16	75	0,15
F-61-50	50	76,5	90	103,5	75	20	16	16	91	0,15
F-61-63	63	86	97,5	109	90	25	20	20	94	0,15
F-61-80	80	94,5	110	125,5	110	25	20	20	130	0,15
F-61-100	100	104,5	120	135,5	132	30	25	25	145	0,2
F-61-125	125	123	145	167	160	30	25	25	155	0,2

Accessory combination Mod. C+L+S

Material:
 aluminium


+ = add the stroke

Mod.	∅	E	TG	$\frac{N}{2}$	XD +	$\frac{CD}{2}$	L	FL	I	M	Z° (max)	Torque force
I-41-32	32	47	32,5	6,5	142	10	12,5	22	9,5	22	30	5 Nm
I-41-40	40	52	38	6,5	160	12	16	25	9	25	40	5 Nm
I-41-50	50	64	46,5	9	170	12	16	27	11	27	25	10 Nm
I-41-63	63	74	56,5	9	190	16	21	32	11	32	36	10 Nm
I-41-80	80	94	72	11	210	16	22	36	14	36	34	15 Nm
I-41-100	100	114	89	11	230	20	27	41	14	41	38	15 Nm
I-41-125	125	140	110	13	275	25	30	50	20	50	30	20 Nm

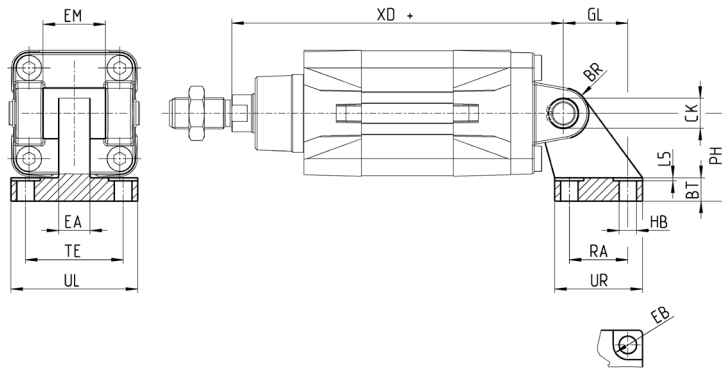
90° male trunnion Mod. ZC



CETOP RP 107P

Material:
aluminium

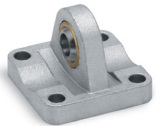
Supplied with:
1x male support



+ = add the stroke

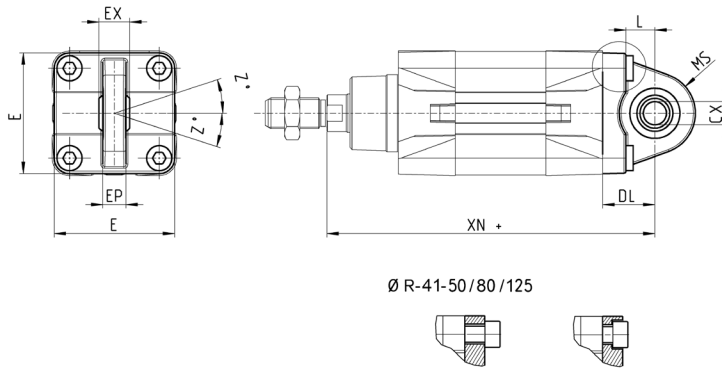
Mod.	∅	EB	CK	HB	XD	TE	UL	EA	GL	L5	RA	EM	UR	PH	BT	BR
ZC-32	32	11	10	6,6	142	38	51	10	21	1,6	18	26	31	32	8	10
ZC-40	40	11	12	6,6	160	41	54	15	24	1,6	22	28	35	36	10	11
ZC-50	50	15	12	9	170	50	65	16	33	1,6	30	32	45	45	12	13
ZC-63	63	15	16	9	190	52	67	16	37	1,6	35	40	50	50	14	15
ZC-80	80	18	16	11	210	66	86	20	47	2,5	40	50	60	63	14	15
ZC-100	100	18	20	11	230	76	96	20	55	2,5	50	60	70	71	17	19
ZC-125	125	20	25	14	275	94	124	30	70	3,2	60	70	90	90	20	22,5

Trunnion ball-joint Mod. R



Material:
aluminium

Supplied with:
1x trunnion ball joint
4x screws



+ = add the stroke

Mod.	∅	CX	L	DL+	XN+	MS	E	EX	EP	Z	Torque force
R-41-32	32	10	12	22	142	16	45	14	10,5	4	5 Nm
R-41-40	40	12	15	25	160	19	52	16	12	4	5 Nm
R-41-50*	50	12	15	27	170	21	62,5	16	12	4	10 Nm
R-50	50	16	16	27	170	21,5	65	21	15	4	10 Nm
R-41-63	63	16	20	32	190	24	75	21	15	4	10 Nm
R-41-80*	80	16	24	36	210	28	92	21	15	4	15 Nm
R-80	80	20	22	36	210	28,5	95	25	18	4	15 Nm
R-41-100	100	20	25	41	230	30	115	25	18	4	15 Nm
R-41-125	125	30	30	50	275	40	140	37	25	4	20 Nm

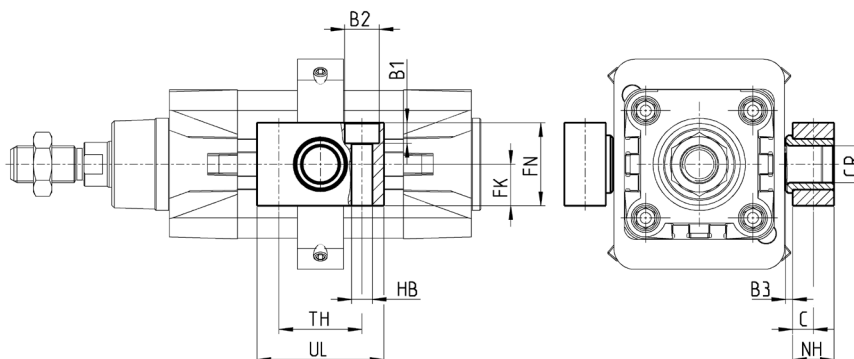
* This trunnion doesn't comply with the ISO 15552 standard.

Counter bracket for centre trunnion Mod. BF

PNEUMATIC ACTUATION

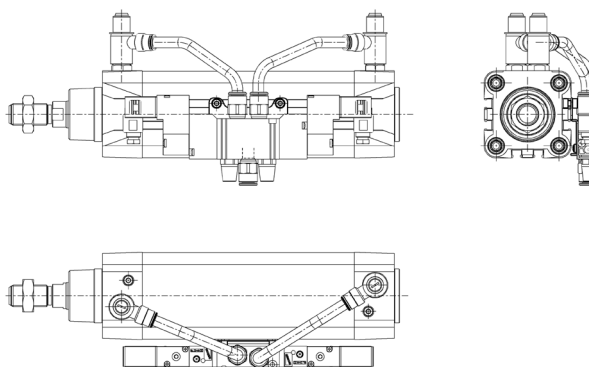
1

Material:
 aluminium

 Supplied with:
 2x supports


Mod.	∅	∅CR	NH	C	B3	TH	UL	FK	FN	B1	∅B2	∅HB
BF-32	32	12	15	7,5	3	32	46	15	30	6,8	11	6,6
BF-40-50	40 - 50	16	18	9	3	36	55	18	36	9	15	9
BF-63-80	63 - 80	20	20	10	3	42	65	20	40	11	18	11
BF-100-125	100 - 125	25	25	12,5	3,5	50	75	25	50	13	20	14

Accessory to mount valves on the cylinder

 The mounting sub-base
 Mod. PCV enables the valve
 or solenoid valve to be
 mounted directly on the
 cylinder.


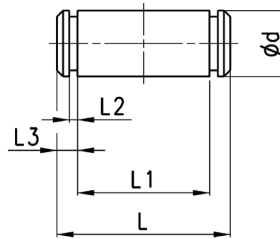
Mod.	
PCV-61-K3	to connect valves - solenoid valves Series 3
PCV-61-K4	to connect valves - solenoid valves Series 4 port G1/4
PCV-62-KEN	to connect valves - solenoid valves Series EN, Series D1, Series D2
PCV-61-K8	to connect valves - solenoid valves Series 4 port G1/8 and Series 3 port G1/4

Clevis pin Mod. S



Materials:
Stainless steel Clevis pin,
Steel Seeger

Supplied with:
1x clevis pin
2x seeger in steel



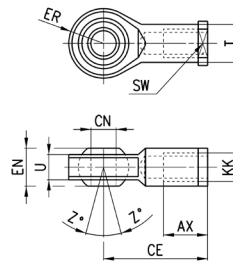
Mod.	ϕ	d	L	L1	L2	L3
S-32	32	10	52	46	1,1	3
S-40	40	12	59	53	1,1	3
S-50	50	12	67	61	1,1	3
S-63	63	16	77	71	1,1	3
S-80	80	16	97	91	1,1	3
S-100	100	20	121	111	1,3	5
S-125	125	25	140,5	132	1,3	4,25

Swivel ball joint Mod. GA



ISO 8139

Material:
zinc-plated steel



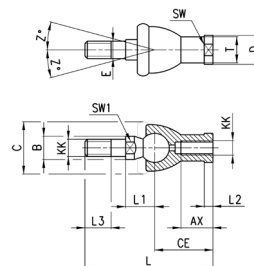
Mod.	ϕ_{CN}	U	EN	ER	AX	CE	KK	ϕT	Z	SW
GA-32	10	10,5	14	14	20	43	M10x1,25	15	6,5	17
GA-40	12	12	16	16	22	50	M12x1,25	17,5	6,5	19
GA-50-63	16	15	21	21	28	64	M16x1,5	22	7,5	22
GA-80-100	20	18	25	25	33	77	M20x1,5	27,5	7	30
GA-41-125	30	25	37	37	51	110	M27x2	40	7,5	41

Piston rod socket joint Mod. GY



ISO 8139

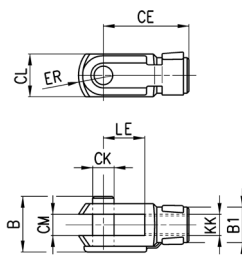
Material:
zama and zinc-plated steel



Mod.	ϕ	KK	L	CE	L2	AX	SW	SW1	L1	L3	T	D	E	B	C	Z
GY-32	32	M10x1,25	74	35	6,5	18	17	11	19,5	15	15	19	10	14	28	15
GY-40	40	M12x1,25	84	40	6,5	20	19	17	21	17	17,5	22	12	19	32	15
GY-50-63	50-63	M16x1,5	112	50	8	27	22	19	27,5	23	22	27	16	22	40	11
GY-80-100	80-100	M20x1,5	133	63	10	38	30	24	31,5	25	27,5	34	20	27	45	7,5

Rod fork end Mod. G

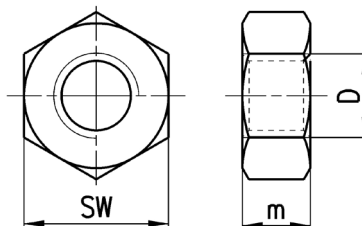

ISO 8140

 Material:
 zinc-plated steel


Mod.	\varnothing CK	LE	CM	CL	ER	CE	KK	B	\varnothing B1
G-25-32	10	20	10	20	12	40	M10x1,25	26	18
G-40	12	24	12	24	14	48	M12x1,25	32	20
G-50-63	16	32	16	32	19	64	M16x1,5	40	26
G-80-100	20	40	20	40	25	80	M20x1,5	48	34
G-41-125	30	54	30	55	38	110	M27x2	74	48

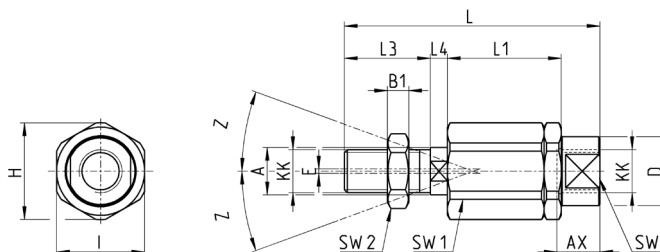
Piston rod nut Mod. U


UNI EN ISO 4035

 Material:
 zinc-plated steel


Mod.	D	m	SW
U-25-32	M10x1,25	6	17
U-40	M12x1,25	7	19
U-50-63	M16x1,5	8	24
U-80-100	M20x1,5	9	30
U-41-125	M27x2	12	41

Self aligning rod Mod. GK

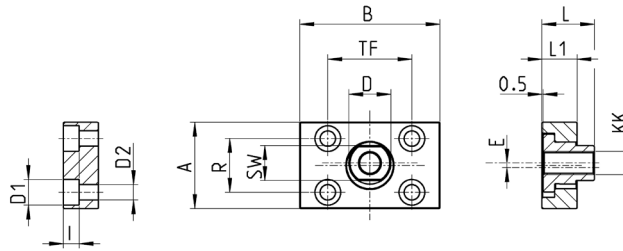

 Material:
 zinc-plated steel


Mod.	\varnothing	KK	L	L1	L3	L4	A	D	H	I	SW	SW1	SW2	B1	AX	Z	E
GK-25-32	25-32	M10x1,25	71,5	35	20	7,5	14	22	32	30	19	12	17	5	22	4	2
GK-40	40	M12x1,25	75,5	35	24	7,5	14	22	32	30	19	12	19	6	22	4	2
GK-50-63	50-63	M16x1,5	104	53	32	10	22	32	45	41	27	20	24	8	30	3	2
GK-80-100	80-100	M20x1,5	119	53	40	10	22	32	45	41	27	20	30	10	37	3	2
GK-125	125	M27x2	147	60	54	10	32	57	70	65	54	24	41	12	48	4	2

Coupling piece Mod. GKF



Material:
zinc-plated steel

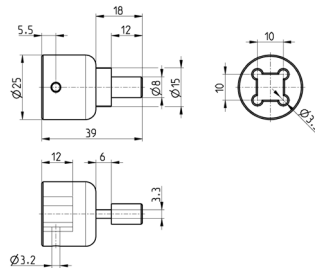


Mod.	Ø	KK	A	B	R	TF	L	L1	I	øD	øD1	ØD2	SW	E
GKF-25-32	32	M10x1,25	37	60	23	36	22,5	15	6,8	18	11	6,6	15	2
GKF-40	40	M12x1,25	56	60	38	42	22,5	15	9	20	15	9	15	2,5
GKF-50-63	50-63	M16x1,5	80	80	58	58	26,5	15	10,5	25	18	11	22	2,5
GKF-80-100	80-100	M20x1,5	90	90	65	65	32,5	20	13	30,5	20	14	27	2,5
GKF-125	125	M27x2	90	90	65	65	35,5	20	13	40	20	14	36	4

Special key to disassemble cylinders Ø 80 and 100

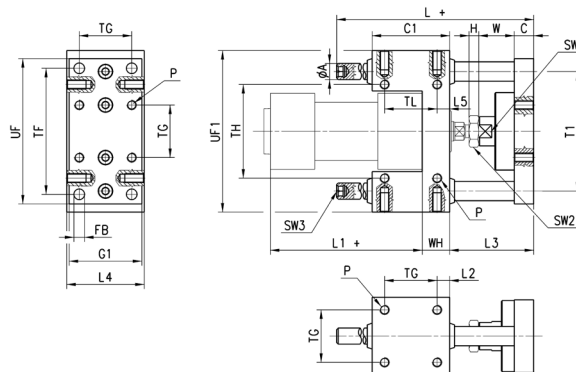


Material:
hardened steel



Mod.
80-62/8C

Guides Mod. 45NUT for cylinders Series 61



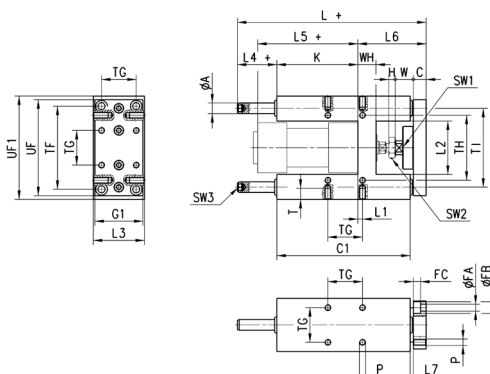
+ = add the stroke

Ø	TF	TG	TH	øA	T1	P	FB	UF	G1	UF1	L	C1	H	W	C	L1	WH	L2	L3	L4	L5	TL	SW1	SW2	SW3
32	78	32,5	58	12	74	M6	6,6	90	45	100	106	48	6	22	12	94	17	7,8	52	48	7,8	32,5	15	17	6
40	84	38	64	12	80	M6	6,6	100	50	106	117	58	7	22	12	105	21	10	53	56	10	38	15	19	6
50	100	46,5	80	16	96	M8	9	120	60	125	129	59	8	26	15	106	25	6,2	64	66	6,3	46,5	22	24	6
63	105	56,5	95	16	104	M8	9	125	70	132	146	76	8	26	15	121	25	9,8	64	76	9,8	56,5	22	24	6
80	130	72	130	20	130	M10	11	155	90	165	170	90	9	32	16	128	34	9	72	98	20	50	27	30	6
100	150	89	150	20	150	M10	11	175	110	185	190	110	9	32	16	138	39	10,5	72	118	20	70	27	30	6

Guides Mod. 45NHT for cylinders Series 61

PNEUMATIC ACTUATION

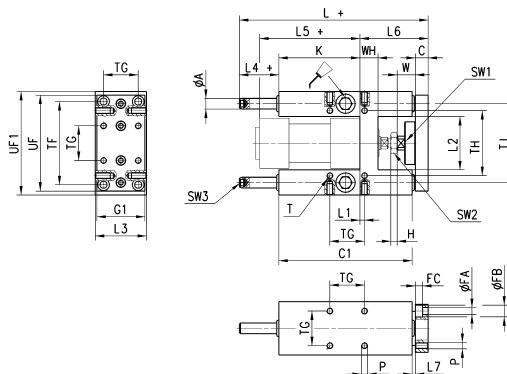
1



+ = add the stroke

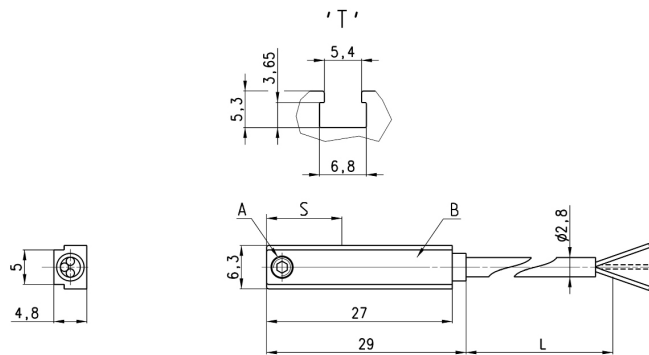
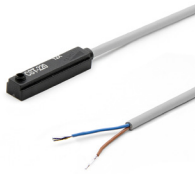
∅	TF	TG	TH	TI	UF	G1	UF1	\varnothing_A	WH	C1	H	W	C	K	L	L1	L2	L3	L4	L5	L6	L7	P	T	\varnothing_{FA}	\varnothing_{FB}	FC	SW1	SW2	SW3
32	78	32,5	61	74	90	45	97	12	17	125	6	17	12	76	177	4,3	50,2	50	37	94	64	3	M6	14	6,5	11	6,8	13	17	6
40	84	38	69	87	110	54	115	16	21	140	7	22	12	81	192	11	58,2	58	37	105	74	3	M6	14	6,5	11	6,8	15	19	6
50	100	46,5	85	104	130	63	137	20	26	149	8	26	15	78,5	205	19,8	70,2	70	37,5	106	89	3	M8	16	9	15	9	22	24	6
63	105	56,5	100	119	145	80	152	20	26	178	8	26	15	111	237	15,3	85,2	85	37	121	89	7	M8	16	9	15	9	22	24	6
80	130	72	130	148	180	100	189	25	34	195	9	32	20	128	280	21	105,4	105	42	128	110	23	M10	20	11	18	11	27	30	6
100	150	89	150	172	200	120	213	25	39	220	9	32	20	128	280	24,5	130,4	130	37	138	115	3	M10	20	11	18	11	27	30	6

Guides Mod. 45NHB for cylinders Series 61



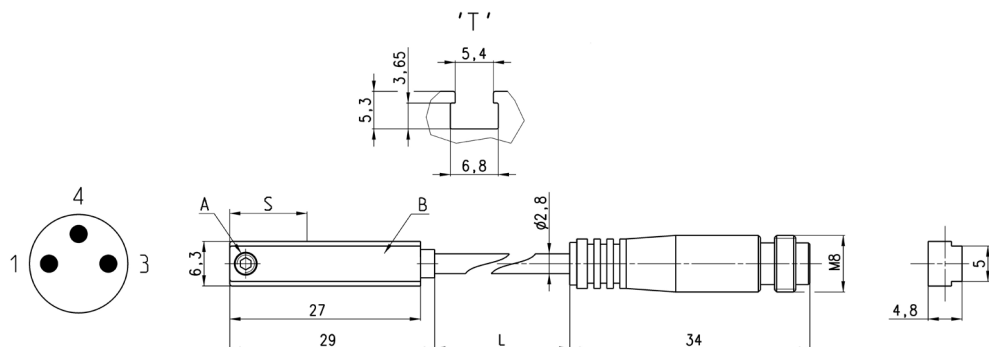
+ = add the stroke

∅	TF	TG	TH	TI	UF	G1	UF1	\varnothing_A	WH	C1	H	W	C	K	L	L1	L2	L3	L4	L5	L6	L7	P	T	\varnothing_{FA}	\varnothing_{FB}	FC	SW1	SW2	SW3
32	78	32,5	61	74	90	45	97	12	17	125	6	17	12	76	177	4.3	50,2	50	37	94	64	3	M6	14	6,5	11	6,8	13	17	6
40	84	38	69	87	110	54	115	16	21	140	7	22	12	81	192	11	58,2	58	37	105	74	3	M6	14	6,5	11	6,8	15	19	6
50	100	46,5	85	104	130	63	137	20	26	149	8	26	15	78,5	237	19,8	70,2	70	69,5	106	89	3	M8	16	9	15	9	22	24	6
63	105	56,5	100	119	145	80	152	20	26	178	8	26	15	111	237	15,3	85,2	85	37	121	89	7	M8	16	9	15	9	22	24	6
80	130	72	130	148	180	100	189	25	34	195	9	32	20	128	280	21	105,4	105	42	128	110	23	M10	20	11	18	11	27	30	6
100	150	89	150	172	200	120	213	25	39	220	9	32	20	128	280	24,5	130,4	130	37	138	115	3	M10	20	11	18	11	27	30	6

Magnetic proximity switches with 2 or 3 wire cable for T-slot


Mod.	Operation	Connections	Voltage	Output	Max. current	Max Load	Protection	L	S	LED colour
CST-220*	Reed	2 wires	10 ÷ 110 V AC/DC-230 V AC	-	250 mA	10 VA / 8 W	None	2 m	14,5 mm	Yellow
CST-220-5*	Reed	2 wires	10 ÷ 110 V AC/DC-230 V AC	-	250 mA	10 VA / 8 W	None	5 m	14,5 mm	Yellow
CST-220EX	Reed	2 wires	10 ÷ 110 V AC/DC-230 V AC	-	250 mA	10 VA / 8 W	None	2 m	14,5 mm	Yellow
CST-220-5EX	Reed	2 wires	10 ÷ 110 V AC/DC-230 V AC	-	250 mA	10 VA / 8 W	None	5 m	14,5 mm	Yellow
CST-220-12EX	Reed	2 wires	10 ÷ 110 V AC/DC-230 V AC	-	250 mA	10 VA / 8 W	None	12 m	14,5 mm	Yellow
CST-232	Reed	3 wires	5 ÷ 30 V AC/DC	PNP	250 mA	10 VA / 8 W	Against polarity reversing	2 m	14,5 mm	Yellow
CST-232-5	Reed	3 wires	5 ÷ 30 V AC/DC	PNP	250 mA	10 VA / 8 W	Against polarity reversing	5 m	14,5 mm	Yellow
CST-232EX	Reed	3 wires	5 ÷ 30 V AC/DC	PNP	250 mA	10 VA / 8 W	Against polarity reversing	2 m	14,5 mm	Yellow
CST-232-5EX	Reed	3 wires	5 ÷ 30 V AC/DC	PNP	250 mA	10 VA / 8 W	Against polarity reversing and overvoltage	5 m	14,5 mm	Yellow
CST-332	Magneto-resistive	3 wires	10 ÷ 27 V DC	PNP	100 mA	6 W	Against polarity reversing and overvoltage	2 m	7,5 mm	Yellow
CST-332-5	Magneto-resistive	3 wires	10 ÷ 27 V DC	PNP	100 mA	6 W	Against polarity reversing and overvoltage	5 m	7,5 mm	Yellow
CST-332EX	Magneto-resistive	3 wires	10 ÷ 27 V DC	PNP	100 mA	6 W	Against polarity reversing and overvoltage	2 m	7,5 mm	Yellow
CST-332-5EX	Magneto-resistive	3 wires	10 ÷ 27 V DC	PNP	100 mA	6 W	Against polarity reversing and overvoltage	5 m	7,5 mm	Yellow
CST-432	Reed	3 wires	5 ÷ 30 V AC/DC	PNP-NC	250 mA	10 VA / 8 W	Against polarity reversing	2 m	14,5 mm	Yellow
CST-432-5	Reed	3 wires	5 ÷ 30 V AC/DC	PNP-NC	250 mA	10 VA / 8 W	Against polarity reversing	5 m	14,5 mm	Yellow
CST-432EX	Reed	3 wires	5 ÷ 30 V AC/DC	PNP-NC	250 mA	10 VA / 8 W	Against polarity reversing	2 m	14,5 mm	Yellow
CST-432-5EX	Reed	3 wires	5 ÷ 30 V AC/DC	PNP-NC	250 mA	10 VA / 8 W	Against polarity reversing	5 m	14,5 mm	Yellow
CST-532	Hall effect	3 wires	10 ÷ 27 V DC	PNP	100 mA	6 W	Against polarity reversing and overvoltage	2 m	8,5 mm	Yellow
CST-532-5	Hall effect	3 wires	10 ÷ 27 V DC	PNP	100 mA	6 W	Against polarity reversing and overvoltage	5 m	8,5 mm	Yellow
CST-532EX	Hall effect	3 wires	10 ÷ 27 V DC	PNP	100 mA	6 W	Against polarity reversing and overvoltage	2 m	8,5 mm	Yellow
CST-532-5EX	Hall effect	3 wires	10 ÷ 27 V DC	PNP	100 mA	6 W	Against polarity reversing and overvoltage	5 m	8,5 mm	Yellow

*Mod. CST-220, CST-220-5:
in case of polarity reversing the sensor will still be operating, but the LED diode won't turn on.

Magnetic proximity switches with M8 3-pin connector for T-slot Mod. CST-M8


Mod.	Operation	Connection	Voltage	Output	Max. current	Max Load	Protection	L	S	LED colour
CST-250N*	Reed	2 wires M8 male 3 pin	10 ÷ 110 V AC/DC	-	250 mA	10 VA / 8 W	None	0,3 m	14,5 mm	Yellow
CST-250NEX	Reed	2 wires M8 male 3 pin	10 ÷ 110 V AC/DC	-	250 mA	10 VA / 8 W	None	0,3 m	14,5 mm	Yellow
CST-262	Reed	3 wires M8 male 3 pin	5 ÷ 30 V AC/DC	PNP	250 mA	10 VA / 8 W	Against polarity reversing	0,3 m	14,5 mm	Yellow
CST-262EX	Reed	3 wires M8 male 3 pin	5 ÷ 30 V AC/DC	PNP	250 mA	10 VA / 8 W	Against polarity reversing	0,3 m	14,5 mm	Yellow
CST-362	Magneto-resistive	3 wires M8 male 3 pin	10 ÷ 27 V DC	PNP	100 mA	6 W	Against polarity reversing and overvoltage	0,3 m	7,5 mm	Yellow
CST-362EX	Magneto-resistive	3 wires M8 male 3 pin	10 ÷ 27 V DC	PNP	100 mA	6 W	Against polarity reversing and overvoltage	0,3 m	7,5 mm	Yellow
CST-562	Hall effect	3 wires M8 male 3 pin	10 ÷ 27 V DC	PNP	100 mA	6 W	Against polarity reversing and overvoltage	0,3 m	8,5 mm	Yellow
CST-562EX	Hall effect	3 wires M8 male 3 pin	10 ÷ 27 V DC	PNP	100 mA	6 W	Against polarity reversing and overvoltage	0,3 m	8,5 mm	Yellow

*Mod. CST-250N:
in case of polarity reversing the sensor will still be operating, but the LED diode won't turn on.