

DIRECT ACTING SOLENOID VALVES

SERIES 6

2/2-way - Normally Closed (NC)

3/2-way - Normally Closed (NC), Normally Open (NO)



- Ports:
 - G1/8
 - G3/8
 - Cartridge Ø4
- Available also in version for the low temperatures up to -50°C

Series 6 solenoid valves are available as 2/2 and 3/2-way, either NC or NO. These direct acting solenoid valves can be used either with or without lubrication.

The bodies of these valves can be used either individually or in manifolds. The latter are provided with G1/8 threaded ports or an inbuilt diameter 4 cartridge (G3/8 for 2-way only).

General Data

Technical characteristics	
Function	2/2 NC - 3/2 NC - 3/2 NO
Operation	Direct acting poppet type
Connection	G1/8, G3/8 threads - Ø4 fitting - CNOMO interface
Orifice diameter	2 ... 4 mm
Flow coefficient Kv	1.2 ... 5,4
Operating pressure	0 ÷ 4 ... 15 bar
Operating temperature [°C]	0 ÷ 60 °C (FKM seals) / -50 ÷ 50 °C (NBR seals)
Medium	Filtered air class [5:4:4]([5:1:4] for versions -50°C) according to ISO 8573-1:2010 (max oil viscosity 32 cSt), inert gas
Response time	ON <15 ms - OFF <15 ms
Manual override	See tables
Installation	In any position
Materials in contact with the medium	
Body	Nickel-plated brass - anodized aluminium
Seals	FKM (NBR for versions -50 °C)
Internal parts	Stainless steel
Electrical characteristics	
Voltage output	12 ... 110 V DC - 24 ... 230 V AC 50/60 Hz
Voltage tolerance	±10% (DC) - +10% ÷ -15% (AC)
Power consumption	10 W (DC) - 19 VA (inrush AC), 12 VA (holding AC)
Duty cycle	ED 100%
Insulation resistance	H (180°C)
Electrical connection	Connector DIN EN 175 301-803-A
Protection class	IP65 with connector

Special versions available on demand

DIRECT ACTING SOLENOID VALVES

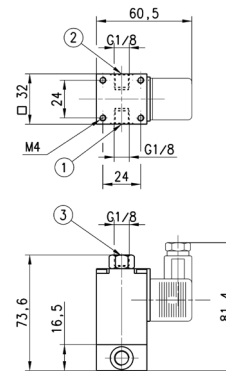
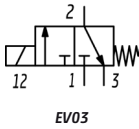
SERIES 6 - CODING EXAMPLES
Coding example

6	3	8	M	-	105	-	A	6	B
6	SERIES								
3	NUMBER OF PORTS AND FUNCTIONS 0 = Interface 2 = 2/2-way - NC 3 = 3/2-way - NC 4 = 3/2-way - NO								
8	CONNECTION 0 = Interface 3 = G3/8 8 = G1/8 C = Cartridge Ø 4								
M	M = Manifold								
105	TYPE OF BODY 150 = Threaded body G1/8 - orifice Ø 2 mm 15E = Threaded body G3/8 - orifice Ø 2.5 mm 15F = Threaded body G3/8 - orifice Ø 3 mm 15G = Threaded body G3/8 - orifice Ø 4 mm 450 = Rotatable interface body - Ø 2 mm orifice 45E = Rotatable interface body - Ø 2.5 mm orifice 457 = Fixed interface body - Ø 2 mm orifice 101 = Single manifold 102 = Manifold - 2 pieces 103 = Manifold - 3 pieces 104 = Manifold - 4 pieces 105 = Manifold - 5 pieces 106 = Manifold - 6 pieces 107 = Manifold - 7 pieces 108 = Manifold - 8 pieces 109 = Manifold - 9 pieces 110 = Manifold - 10 pieces 111 = Manifold - 11 pieces 112 = Manifold - 12 pieces 113 = Manifold - 13 pieces 114 = Manifold - 14 pieces 115 = Manifold - 15 pieces								
A	COIL MATERIAL A = PPS								
6	SOLENOID DIMENSIONS 6 = 32x32								
B	VOLTAGE - POWER CONSUMPTION B = 24 V 50/60 Hz - 12 VA C = 48 V 50/60 Hz - 12 VA D = 110 V 50/60 Hz - 12 VA E = 230 V 50/60 Hz - 12 VA 2 = 12 V DC - 10 W 3 = 24 V DC - 10 W 4 = 48 V DC - 10 W 5 = 72 V DC - 10 W 6 = 110 V DC - 10 W 8 = 160 V DC - 10 W								
	VERSIONS = Standard LT = For low temperatures								

Series 6 solenoid valve - 2/2 and 3/2-way NC - Mod. 628 - 638 - 648



These valves are particularly suitable for operating single-acting cylinders or for use as signal valves.



In the mod. 648-150-A6* (NO) connections 1 and 3 are inverted.

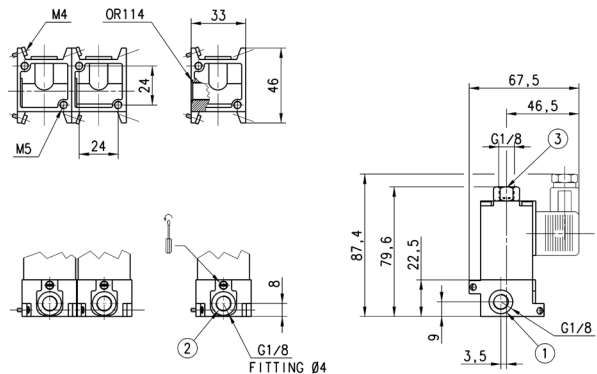
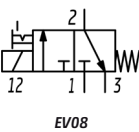
Mod.	Ports	Function	Orifice Ø [mm]	Kv [l/min]	Qn [Nl/min]	Pressure min-max [bar]	Symbol
628-150-A6*	G1/8	2/2 NC	2	2,0	130	0 ÷ 10 [DC] - 0 ÷ 7 [AC]	EV01
638-150-A6*	G1/8	3/2 NC	2	2,0	130	0 ÷ 10	EV03
648-150-A6*	G1/8	3/2 NO	2	1,2	80	0 ÷ 8 [DC] - 0 ÷ 6 [AC]	EV05

* add
 - VOLTAGE (see CODING EXAMPLE)

Series 6 solenoid valve - 3/2-way NC - Mod. 638M - 63CM

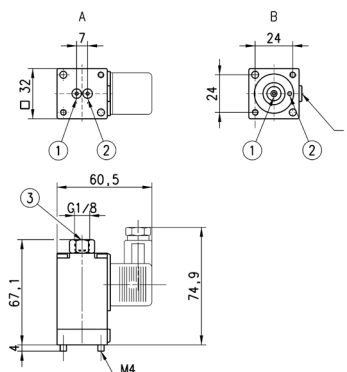
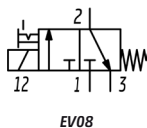


These solenoid valves are equipped with a manual override and are available with G1/8 inlet ports and with G1/8 outlets or with a diameter 4 cartridge. The body is supplied complete with screws and O-ring.



Mod.	Inlet	Outlet	Orifice Ø [mm]	Kv [l/min]	Qn [Nl/min]	Pressure min-max [bar]
638M-101-A6*	G1/8	G1/8	2	1,8	120	0 ÷ 10
63CM-101-A6*	G1/8	cartridge Ø 4	2	1,6	108	0 ÷ 10

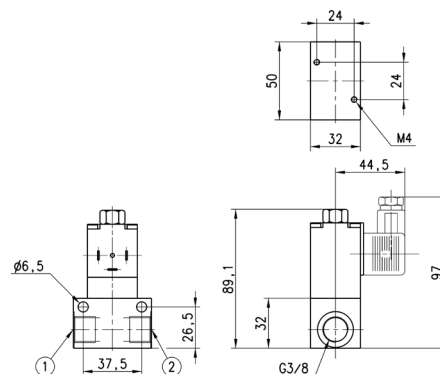
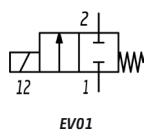
* add
 - VOLTAGE (see CODING EXAMPLE)

DIRECT ACTING SOLENOID VALVES
SERIES 6 - DIMENSIONS
Series 6 solenoid valve - 3/2-way NC - Mod. 600


These solenoid valves are equipped with an override and are available with two types of interface:
 A = fixed interface
 B = rotatable interface

Mod.	Interface	Orifice Ø [mm]	Kv [l/min]	Qn [Nl/min]	Pressure min-max [bar]
600-450-A6*	rotatable	2	1,6	106	0 ÷ 10
600-45E-A6*	rotatable	2,5	2,0	130	0 ÷ 8
600-457-A6*	fixed	2	1,6	106	0 ÷ 10

* add
 - VOLTAGE (see CODING EXAMPLE)

Series 6 solenoid valve - 2/2-way NC - Mod. 623


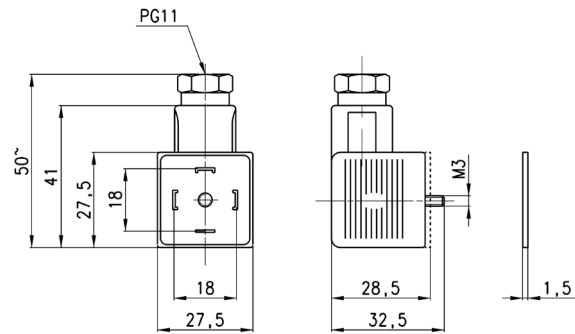
Mod.	Orifice Ø [mm]	Kv [l/min]	Qn [Nl/min]	Min÷max pressure [bar]
623-15E-A6*	2,5	3,4	220	0 ÷ 12 [AC 50Hz] - 0 ÷ 15 [DC]
623-15F-A6*	3	4,5	290	0 ÷ 10 [AC 50Hz] - 0 ÷ 14 [DC]
623-15G-A6*	4	5,4	350	0 ÷ 4 [AC 50Hz] - 0 ÷ 7 [DC]

* add
 - VOLTAGE (see CODING EXAMPLE)

Connectors Mod. 124



Protection class IP65



Mod.	Description	Colour	Working voltage	Cable gland	Tightening torque
124-701	Connector, varistor + Led	Black	24 V AC/DC	PG9/PG11	0,5 Nm
124-702	Connector, varistor + Led	Black	110 V AC/DC	PG9/PG11	0,5 Nm
124-703	Connector, varistor + Led	Black	230 V AC/DC	PG9/PG11	0,5 Nm
124-800	Connector, without electronics	Black	-	PG9/PG11	0,5 Nm