

ANTI-ROTATION GUIDE UNITS

SERIES 45

Suitable for cylinders:

- DIN/ISO 6432 (ø 12, 16, 20, 25 mm)
- ISO 15552, previous DIN/ISO 6431 (ø 32, 40, 50, 63, 80, 100 mm)



- To be used with VDMA/ISO cylinders
- Available as ball bearing guide and self lubricating guide

Series 45 guide units can be used with all DIN/ISO 6432 cylinders of ø 12 ÷ ø 25 and ISO 15552, previous DIN/ISO 6431, cylinders of ø 32 ÷ ø 100.

They have been developed in order to prevent piston rod rotation and can support possible radial loads.

Series 45 guide units are available in three different models depending on the applicable loads. The UT and HT guides with crawling supports are self lubricating, while HB guides have a ball bush.

To ensure the right choice of the loads in relation to the stroke, please refer to the graphs. The shorter the stroke the higher will be the applicable loads.

General Data

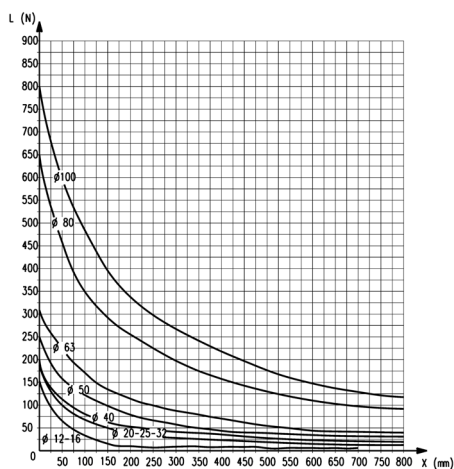
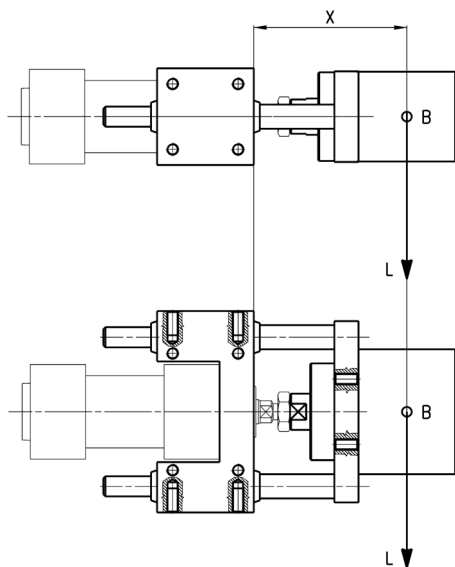
| | |
|-----------------------------|---|
| Type of construction | U and H |
| Operation | Mod. 45NUT and 45NHT: without lubrication Mod. 45NHB requires lubrication according to DIN 51825 code KP2G-20 |
| Material | Body: anodized aluminium flexible coupling: stainless steel AISI 303 plate: anodized aluminium guided columns: rolled stainless steel AISI 420B (mod. 45NUT and 45NHT) - hardened steel C50 (Mod. 45NHB) |
| Assembly | By means of threaded holes |
| Strokes min - max | See diagrams |
| Installation | In any position |

ANTI-ROTATION GUIDE UNITS
SERIES 45 - CODING EXAMPLES

PNEUMATIC ACTUATION

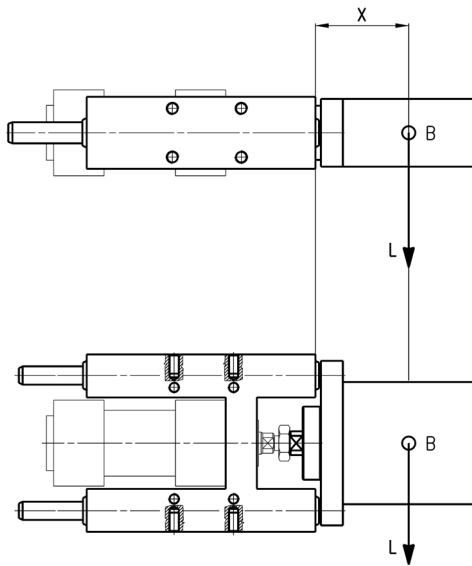
1
Coding Examples

| | | | | | |
|-------------|--|-----------|------------|----------|-------------|
| 45 | N | UT | 050 | A | 0100 |
| 45 | SERIES | | | | |
| N | VERSION N = standard | | | | |
| UT | OPERATION UT = "U" self lubricating guide HT = "H" self lubricating guide HB = "H" ball guide | | | | |
| 050 | BORE 016 = Ø12-16 mm (available only in the UT version with "U" self lubricating guide) 020 = 20 mm 025 = 25 mm 032 = 32 mm 040 = 40 mm 050 = 50 mm 063 = 63 mm 080 = 80 mm 100 = 100 mm | | | | |
| A | MATERIALS A = anodized aluminium body - stainless steel AISI 420B columns for 45UT and 45HT - hardened steel C50 columns for 45HB | | | | |
| 0100 | STROKE in mm | | | | |

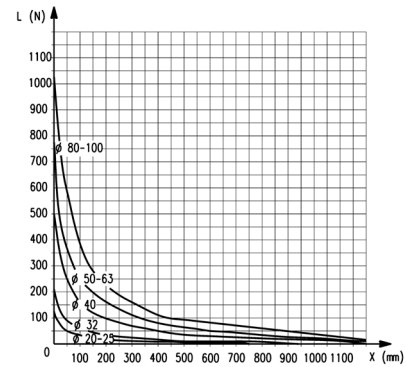
45NUT guides - Applicable loads depending on projection - graph NO 1


B = centre of gravity for applied load
L = load
X = fixed projection + stroke
 fixed projection = distance to the centre of gravity

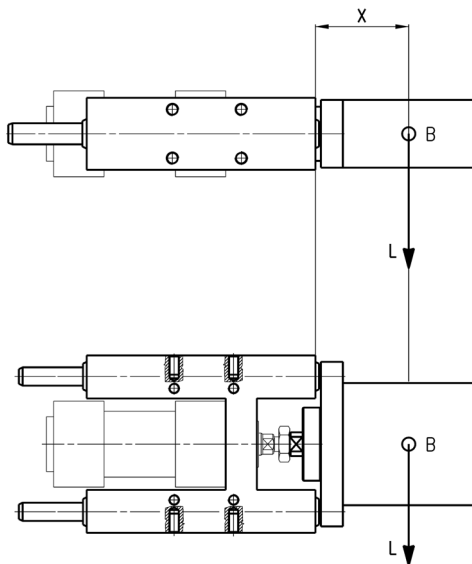
Guide "U" moving on bush (45NUT)

45NHB guides - Applicable loads depending on projection - graph NO 2


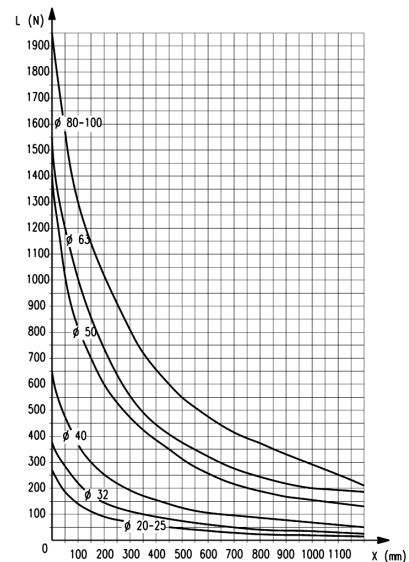
B = centre of gravity for applied load
L = load
X = fixed projection + stroke
 fixed projection = distance to the centre of gravity



Guide "HB" with linear ball bearing (45NHB)

45NHT guides - Applicable loads depending on projection - graph NO 3


B = centre of gravity for applied load
L = load
X = fixed projection + stroke
 fixed projection = distance to the centre of gravity



Guide "HT" moving on bush (45NHT)

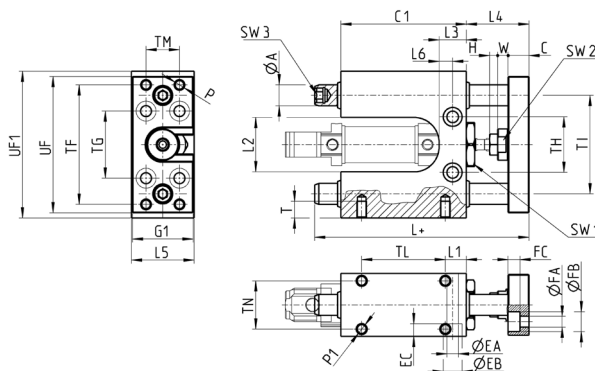
ANTI-ROTATION GUIDE UNITS
SERIES 45 - DIMENSIONS

PNEUMATIC ACTUATION

1
Guides Mod. 45NUT for cylinders Series 16, 24, 25

 Supplied with:
 1x fixing nut

 Suitable for cylinders Series 16, 24 and 25 DIN/ISO 6432, \varnothing 12 and 16.
 These guides do not need lubrication.
 For applicable loads see graph 1.

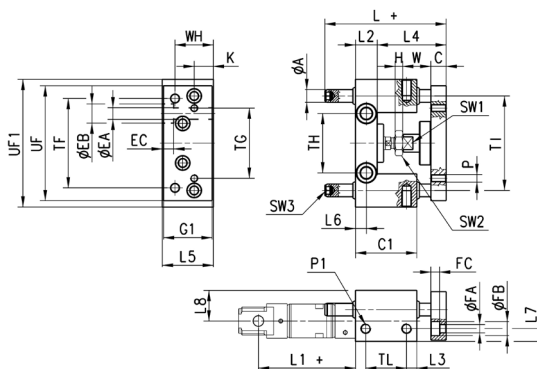
 Cylinders \varnothing 12 and \varnothing 16 use the same guides.


+ = add the stroke

| \varnothing | TF | TG | TH | TI | TM | TL | TN | UF1 | UF | G1 | \varnothing A | C1 | H | W | C | L | L1 | L2 | L3 | L4 | L5 | L6 | P | P1 | T | \varnothing EA | \varnothing EB | EC | \varnothing FA | \varnothing FB | FC | SW1 | SW2 | SW3 |
|---------------|----|----|------|----|----|----|----|-----|----|----|-----------------|----|---|---|----|-------|----|----|----|----|----|-----|----|----|---|------------------|------------------|-----|------------------|------------------|-----|-----|-----|-----|
| 12 | 57 | 32 | 26,5 | 47 | 16 | 40 | 23 | 70 | 65 | 29 | 10 | 60 | 4 | 5 | 10 | 102,5 | 10 | 26 | 13 | 30 | 30 | 6,5 | M5 | M5 | 8 | 5,5 | 9 | 5,7 | 5,5 | 9,5 | 5,7 | 21 | 13 | 6 |
| 16 | 57 | 32 | 26,5 | 47 | 16 | 40 | 23 | 70 | 65 | 29 | 10 | 60 | 4 | 5 | 10 | 102,5 | 10 | 26 | 13 | 30 | 30 | 6,5 | M5 | M5 | 8 | 5,5 | 9 | 5,7 | 5,5 | 9,5 | 5,7 | 21 | 13 | 6 |

Guides Mod. 45NUT for cylinders Series 24, 25

 Supplied with:
 1x fixing nut

 Suitable for cylinders Series 24 and 25 DIN/ISO 6432, \varnothing 20 and 25.
 These guides do not need lubrication.
 For applicable loads see graph 1.


+ = add the stroke

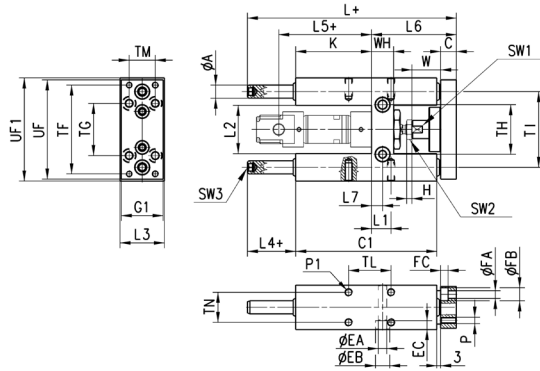
| \varnothing | TF | TG | TH | TI | TL | UF1 | UF | G1 | \varnothing A | WH | C1 | H | W | C | K | L | L1 | L2 | L3 | L4 | L5 | L6 | L7 | L8 | P | P1 | \varnothing EA | \varnothing EB | EC | \varnothing FA | \varnothing FB | FC | SW1 | SW2 |
|---------------|----|----|------|----|----|-----|----|----|-----------------|----|----|---|----|----|----|----|----|----|----|------|----|-----|----|----|----|----|------------------|------------------|----|------------------|------------------|-----|-----|-----|
| 20 | 70 | 55 | 46,5 | 74 | 32 | 100 | 90 | 38 | 10 | 30 | 48 | 4 | 22 | 12 | 15 | 77 | 71 | 17 | 8 | 48+2 | 40 | 8,5 | 10 | 24 | M6 | M8 | 9 | 15 | 9 | 6,5 | 11 | 6,8 | 13 | 13 |
| 25 | 70 | 55 | 46,5 | 74 | 32 | 100 | 90 | 38 | 10 | 30 | 48 | 6 | 22 | 12 | 15 | 77 | 76 | 17 | 8 | 48+2 | 40 | 8,5 | 10 | 24 | M6 | M8 | 9 | 15 | 9 | 6,5 | 11 | 6,8 | 13 | 17 |

Guides Mod. 45NHT for cylinders Series 24, 25



Supplied with:
 1x fixing nut

Suitable for cylinders Series 24 and 25 DIN/ISO 6432, $\varnothing 20$ and 25.
 These guides do not need lubrication.
 For applicable loads see graph 3.



+ = add the stroke

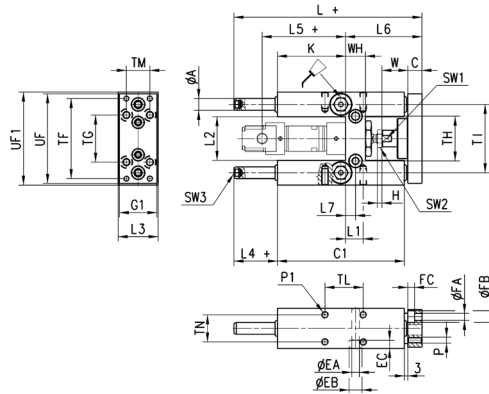
| \varnothing | TF | TG | TH | TI | TL | TM | TN | UF | G1 | UF1 | A | WH | C1 | H | W | C | K | L | L1 | L2 | L3 | L4 | L5 | L6 | L7 | P | P1 | T | \varnothing_{EA} | \varnothing_{EB} | EC | \varnothing_{FA} | \varnothing_{FB} | FC | SW1 | SW2 | SW3 |
|---------------|----|----|----|----|------|----|----|----|----|-----|----|----|-----|---|----|----|----|-----|----|----|----|----|----|----|-----|----|----|----|--------------------|--------------------|-----|--------------------|--------------------|-----|-----|-----|-----|
| 20 | 68 | 40 | 38 | 58 | 32,5 | 20 | 23 | 76 | 32 | 79 | 10 | 17 | 108 | 4 | 22 | 12 | 58 | 160 | 15 | 37 | 34 | 37 | 71 | 65 | 8,5 | M5 | M6 | 14 | 6,5 | 11 | 6,8 | 5,5 | 10 | 5,7 | 13 | 13 | 6 |
| 25 | 68 | 40 | 38 | 58 | 32,5 | 20 | 23 | 76 | 32 | 79 | 10 | 17 | 108 | 6 | 17 | 12 | 58 | 160 | 15 | 37 | 34 | 37 | 76 | 65 | 8,5 | M5 | M6 | 14 | 6,5 | 11 | 6,8 | 5,5 | 10 | 5,7 | 13 | 17 | 6 |

Guides Mod. 45NHB for cylinders Series 24, 25



Supplied with:
 1x fixing nut

Suitable for cylinders Series 24 and 25 DIN/ISO 6432, $\varnothing 20$ and 25.
 To lubricate these guides, use the special lubricator. For applicable loads see graph 2.



+ = add the stroke

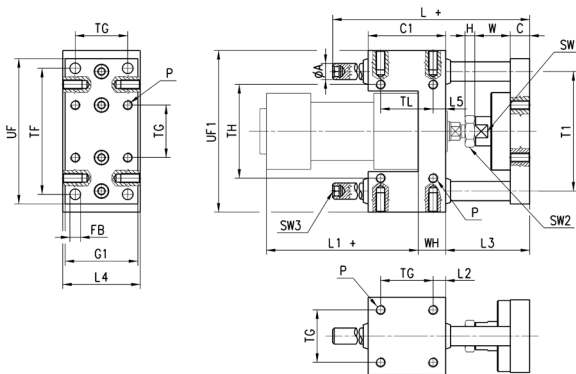
| \varnothing | TF | TG | TH | TI | TL | TM | TN | UF | G1 | UF1 | A | WH | C1 | H | W | C | K | L | L1 | L2 | L3 | L4 | L5 | L6 | L7 | P | P1 | T | \varnothing_{EA} | \varnothing_{EB} | EC | \varnothing_{FA} | \varnothing_{FB} | FC | SW1 | SW2 | SW3 |
|---------------|----|----|----|----|------|----|----|----|----|-----|----|----|-----|---|----|----|----|-----|----|----|----|----|----|----|-----|----|----|----|--------------------|--------------------|-----|--------------------|--------------------|-----|-----|-----|-----|
| 20 | 68 | 40 | 38 | 58 | 32,5 | 20 | 23 | 76 | 32 | 79 | 10 | 17 | 108 | 4 | 22 | 12 | 58 | 160 | 15 | 37 | 34 | 37 | 71 | 65 | 8,5 | M5 | M6 | 14 | 6,5 | 11 | 6,8 | 5,5 | 10 | 5,7 | 13 | 13 | 6 |
| 25 | 68 | 40 | 38 | 58 | 32,5 | 20 | 23 | 76 | 32 | 79 | 10 | 17 | 108 | 6 | 17 | 12 | 58 | 160 | 15 | 37 | 34 | 37 | 76 | 65 | 8,5 | M5 | M6 | 14 | 6,5 | 11 | 6,8 | 5,5 | 10 | 5,7 | 13 | 17 | 6 |

ANTI-ROTATION GUIDE UNITS
SERIES 45 - DIMENSIONS

PNEUMATIC ACTUATION

1
Guides Mod. 45NUT for cylinders Series 61, 63, 6E

 Supplied with:
 4x fixing screws

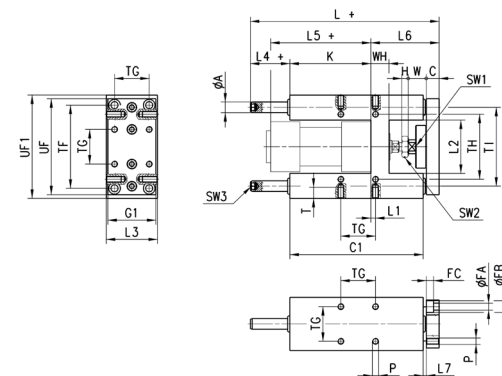
 Suitable for ISO 15552 (previous DIN/ISO 6431) cylinders Series 61, 63, 6E \emptyset 32, 40, 50, 63, 80 and 100.
 These guides do not need lubrication.
 For applicable loads see graph No 1.


+ = add the stroke

| \emptyset | TF | TG | TH | ϕ_A | T1 | P | FB | UF | G1 | UF1 | L | C1 | H | W | C | L1 | WH | L2 | L3 | L4 | L5 | TL | SW1 | SW2 | SW3 |
|-------------|-----|------|-----|----------|-----|-----|-----|-----|-----|-----|-----|-----|---|----|----|-----|----|------|----|-----|-----|------|-----|-----|-----|
| 32 | 78 | 32,5 | 58 | 12 | 74 | M6 | 6,6 | 90 | 45 | 100 | 106 | 48 | 6 | 22 | 12 | 94 | 17 | 7,8 | 52 | 48 | 7,8 | 32,5 | 15 | 17 | 6 |
| 40 | 84 | 38 | 64 | 12 | 80 | M6 | 6,6 | 100 | 50 | 106 | 117 | 58 | 7 | 22 | 12 | 105 | 21 | 10 | 53 | 56 | 10 | 38 | 15 | 19 | 6 |
| 50 | 100 | 46,5 | 80 | 16 | 96 | M8 | 9 | 120 | 60 | 125 | 129 | 59 | 8 | 26 | 15 | 106 | 25 | 6,2 | 64 | 66 | 6,3 | 46,5 | 22 | 24 | 6 |
| 63 | 105 | 56,5 | 95 | 16 | 104 | M8 | 9 | 125 | 70 | 132 | 146 | 76 | 8 | 26 | 15 | 121 | 25 | 9,8 | 64 | 76 | 9,8 | 56,5 | 22 | 24 | 6 |
| 80 | 130 | 72 | 130 | 20 | 130 | M10 | 11 | 155 | 90 | 165 | 170 | 90 | 9 | 32 | 16 | 128 | 34 | 9 | 72 | 98 | 20 | 50 | 27 | 30 | 6 |
| 100 | 150 | 89 | 150 | 20 | 150 | M10 | 11 | 175 | 110 | 185 | 190 | 110 | 9 | 32 | 16 | 138 | 39 | 10,5 | 72 | 118 | 20 | 70 | 27 | 30 | 6 |

Guides Mod. 45NHT for cylinders Series 61, 63, 6E

 Supplied with:
 4x fixing screws

 Suitable for ISO 15552 (previous DIN/ISO 6431) cylinders Series 61, 63, 6E \emptyset 32, 40, 50, 63, 80 and 100.
 These guides do not need lubrication.
 For applicable loads see graph No 3.


+ = add the stroke

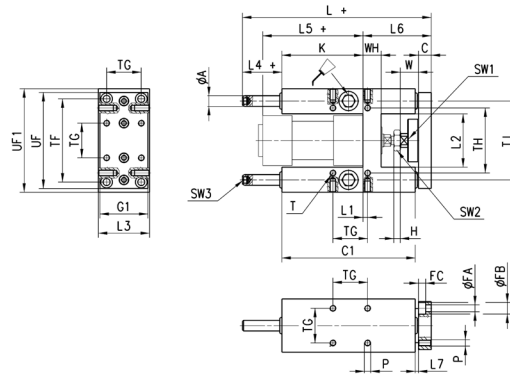
| \emptyset | TF | TG | TH | TI | UF | G1 | UF1 | ϕ_A | WH | C1 | H | W | C | K | L | L1 | L2 | L3 | L4 | L5 | L6 | L7 | P | T | ϕ_{FA} | ϕ_{FB} | FC | SW1 | SW2 | SW3 |
|-------------|-----|------|-----|-----|-----|-----|-----|----------|----|-----|---|----|----|------|-----|------|-------|-----|------|-----|-----|----|-----|----|-------------|-------------|-----|-----|-----|-----|
| 32 | 78 | 32,5 | 61 | 74 | 90 | 45 | 97 | 12 | 17 | 125 | 6 | 17 | 12 | 76 | 177 | 4,3 | 50,2 | 50 | 37 | 94 | 64 | 3 | M6 | 14 | 6,5 | 11 | 6,8 | 13 | 17 | 6 |
| 40 | 84 | 38 | 69 | 87 | 110 | 54 | 115 | 16 | 21 | 140 | 7 | 22 | 12 | 81 | 192 | 11 | 58,2 | 58 | 37 | 105 | 74 | 3 | M6 | 14 | 6,5 | 11 | 6,8 | 15 | 19 | 6 |
| 50 | 100 | 46,5 | 85 | 104 | 130 | 63 | 137 | 20 | 26 | 149 | 8 | 26 | 15 | 78,5 | 205 | 19,8 | 70,2 | 70 | 37,5 | 106 | 89 | 3 | M8 | 16 | 9 | 15 | 9 | 22 | 24 | 6 |
| 63 | 105 | 56,5 | 100 | 119 | 145 | 80 | 152 | 20 | 26 | 178 | 8 | 26 | 15 | 111 | 237 | 15,3 | 85,2 | 85 | 37 | 121 | 89 | 7 | M8 | 16 | 9 | 15 | 9 | 22 | 24 | 6 |
| 80 | 130 | 72 | 130 | 148 | 180 | 100 | 189 | 25 | 34 | 195 | 9 | 32 | 20 | 128 | 280 | 21 | 105,4 | 105 | 42 | 128 | 110 | 23 | M10 | 20 | 11 | 18 | 11 | 27 | 30 | 6 |
| 100 | 150 | 89 | 150 | 172 | 200 | 120 | 213 | 25 | 39 | 220 | 9 | 32 | 20 | 128 | 280 | 24,5 | 130,4 | 130 | 37 | 138 | 115 | 3 | M10 | 20 | 11 | 18 | 11 | 27 | 30 | 6 |

Guides Mod. 45NHB for cylinders Series 61, 63, 6E



Supplied with:
 4x fixing screws

Suitable for ISO 15552 (previous DIN/ISO 6431) cylinders Series 61, 63, 6E, Ø 32, 40, 50, 63, 80 and 100.
 To lubricate these guides, use the special lubricator.
 For applicable loads see graph No 2.



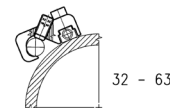
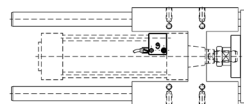
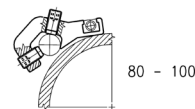
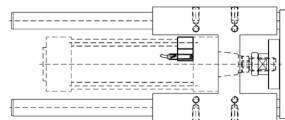
+ = add the stroke

| Ø | TF | TG | TH | TI | UF | G1 | UF1 | øA | WH | C1 | H | W | C | K | L | L1 | L2 | L3 | L4 | L5 | L6 | L7 | P | T | øFA | øFB | FC | SW1 | SW2 | SW3 |
|-----|-----|------|-----|-----|-----|-----|-----|----|----|-----|---|----|----|------|-----|------|-------|-----|------|-----|-----|----|-----|----|-----|-----|-----|-----|-----|-----|
| 32 | 78 | 32,5 | 61 | 74 | 90 | 45 | 97 | 12 | 17 | 125 | 6 | 17 | 12 | 76 | 177 | 4,3 | 50,2 | 50 | 37 | 94 | 64 | 3 | M6 | 14 | 6,5 | 11 | 6,8 | 13 | 17 | 6 |
| 40 | 84 | 38 | 69 | 87 | 110 | 54 | 115 | 16 | 21 | 140 | 7 | 22 | 12 | 81 | 192 | 11 | 58,2 | 58 | 37 | 105 | 74 | 3 | M6 | 14 | 6,5 | 11 | 6,8 | 15 | 19 | 6 |
| 50 | 100 | 46,5 | 85 | 104 | 130 | 63 | 137 | 20 | 26 | 149 | 8 | 26 | 15 | 78,5 | 237 | 19,8 | 70,2 | 70 | 69,5 | 106 | 89 | 3 | M8 | 16 | 9 | 15 | 9 | 22 | 24 | 6 |
| 63 | 105 | 56,5 | 100 | 119 | 145 | 80 | 152 | 20 | 26 | 178 | 8 | 26 | 15 | 111 | 237 | 15,3 | 85,2 | 85 | 37 | 121 | 89 | 7 | M8 | 16 | 9 | 15 | 9 | 22 | 24 | 6 |
| 80 | 130 | 72 | 130 | 148 | 180 | 100 | 189 | 25 | 34 | 195 | 9 | 32 | 20 | 128 | 280 | 21 | 105,4 | 105 | 42 | 128 | 110 | 23 | M10 | 20 | 11 | 18 | 11 | 27 | 30 | 6 |
| 100 | 150 | 89 | 150 | 172 | 200 | 120 | 213 | 25 | 39 | 220 | 9 | 32 | 20 | 128 | 280 | 24,5 | 130,4 | 130 | 37 | 138 | 115 | 3 | M10 | 20 | 11 | 18 | 11 | 27 | 30 | 6 |

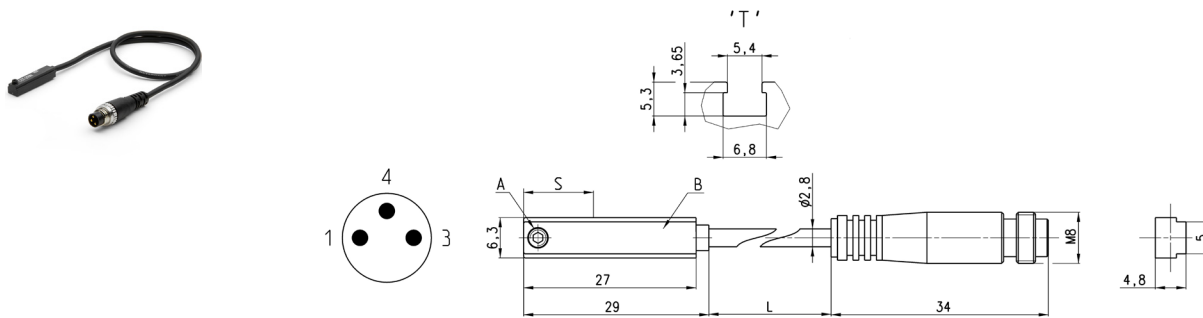
Adapters for Series CST-CSG sensors



For Series 63MT cylinders
 mounted with guides
 45NHT or 45NHB.



| Mod. | Cylinders Series | Ø |
|------------|------------------|----------|
| S-CST-45N1 | 90, 63MT | 32 ÷ 63 |
| S-CST-45N2 | 90, 63MT | 80 ÷ 100 |

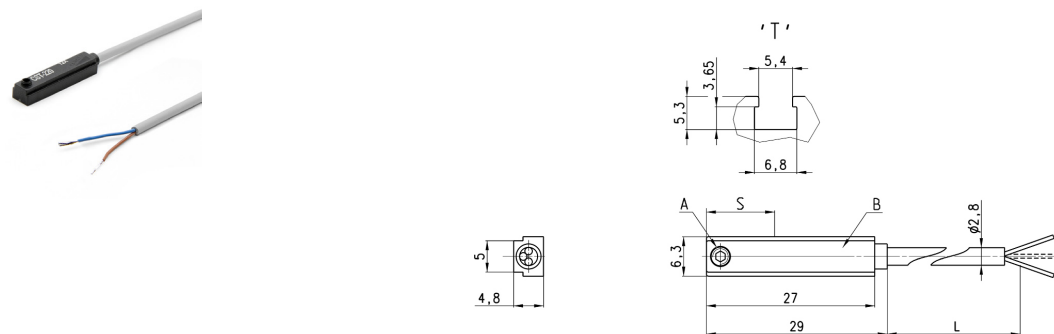
Magnetic proximity switches with M8 3-pin connector for T-slot


A = Fixing screw
B = Led indicator
S = Sensing point
L = Length cable

| Mod. | Operation | Connection | Voltage | Output | Max. current | Max Load | Protection | L | S | LED colour |
|------------|-------------------|-----------------------|------------------|--------|--------------|-------------|--|-------|---------|------------|
| CST-250N* | Reed | 2 wires M8 male 3 pin | 10 ÷ 110 V AC/DC | - | 250 mA | 10 VA / 8 W | None | 0,3 m | 14,5 mm | Yellow |
| CST-250NEX | Reed | 2 wires M8 male 3 pin | 10 ÷ 110 V AC/DC | - | 250 mA | 10 VA / 8 W | None | 0,3 m | 14,5 mm | Yellow |
| CST-262 | Reed | 3 wires M8 male 3 pin | 5 ÷ 30 V AC/DC | PNP | 250 mA | 10 VA / 8 W | Against polarity reversing | 0,3 m | 14,5 mm | Yellow |
| CST-262EX | Reed | 3 wires M8 male 3 pin | 5 ÷ 30 V AC/DC | PNP | 250 mA | 10 VA / 8 W | Against polarity reversing | 0,3 m | 14,5 mm | Yellow |
| CST-362 | Magneto-resistive | 3 wires M8 male 3 pin | 10 ÷ 27 V DC | PNP | 100 mA | 6 W | Against polarity reversing and overvoltage | 0,3 m | 7,5 mm | Yellow |
| CST-362EX | Magneto-resistive | 3 wires M8 male 3 pin | 10 ÷ 27 V DC | PNP | 100 mA | 6 W | Against polarity reversing and overvoltage | 0,3 m | 7,5 mm | Yellow |
| CST-562 | Hall effect | 3 wires M8 male 3 pin | 10 ÷ 27 V DC | PNP | 100 mA | 6 W | Against polarity reversing and overvoltage | 0,3 m | 8,5 mm | Yellow |
| CST-562EX | Hall effect | 3 wires M8 male 3 pin | 10 ÷ 27 V DC | PNP | 100 mA | 6 W | Against polarity reversing and overvoltage | 0,3 m | 8,5 mm | Yellow |

*Mod. CST-250N:

in case of polarity reversing the sensor will still be operating, but the LED diode won't turn on.

Magnetic proximity switches with 2 or 3 wire cable for T-slot


| Mod. | Operation | Connections | Voltage | Output | Max. current | Max Load | Protection | L | S | LED colour |
|--------------|-------------------|-------------|---------------------------|--------|--------------|-------------|--|------|---------|------------|
| CST-220* | Reed | 2 wires | 10 ÷ 110 V AC/DC-230 V AC | - | 250 mA | 10 VA / 8 W | None | 2 m | 14,5 mm | Yellow |
| CST-220-5* | Reed | 2 wires | 10 ÷ 110 V AC/DC-230 V AC | - | 250 mA | 10 VA / 8 W | None | 5 m | 14,5 mm | Yellow |
| CST-220EX | Reed | 2 wires | 10 ÷ 110 V AC/DC-230 V AC | - | 250 mA | 10 VA / 8 W | None | 2 m | 14,5 mm | Yellow |
| CST-220-5EX | Reed | 2 wires | 10 ÷ 110 V AC/DC-230 V AC | - | 250 mA | 10 VA / 8 W | None | 5 m | 14,5 mm | Yellow |
| CST-220-12EX | Reed | 2 wires | 10 ÷ 110 V AC/DC-230 V AC | - | 250 mA | 10 VA / 8 W | None | 12 m | 14,5 mm | Yellow |
| CST-232 | Reed | 3 wires | 5 ÷ 30 V AC/DC | PNP | 250 mA | 10 VA / 8 W | Against polarity reversing | 2 m | 14,5 mm | Yellow |
| CST-232-5 | Reed | 3 wires | 5 ÷ 30 V AC/DC | PNP | 250 mA | 10 VA / 8 W | Against polarity reversing | 5 m | 14,5 mm | Yellow |
| CST-232EX | Reed | 3 wires | 5 ÷ 30 V AC/DC | PNP | 250 mA | 10 VA / 8 W | Against polarity reversing | 2 m | 14,5 mm | Yellow |
| CST-232-5EX | Reed | 3 wires | 5 ÷ 30 V AC/DC | PNP | 250 mA | 10 VA / 8 W | Against polarity reversing and overvoltage | 5 m | 14,5 mm | Yellow |
| CST-332 | Magneto-resistive | 3 wires | 10 ÷ 27 V DC | PNP | 100 mA | 6 W | Against polarity reversing and overvoltage | 2 m | 7,5 mm | Yellow |
| CST-332-5 | Magneto-resistive | 3 wires | 10 ÷ 27 V DC | PNP | 100 mA | 6 W | Against polarity reversing and overvoltage | 5 m | 7,5 mm | Yellow |
| CST-332EX | Magneto-resistive | 3 wires | 10 ÷ 27 V DC | PNP | 100 mA | 6 W | Against polarity reversing and overvoltage | 2 m | 7,5 mm | Yellow |
| CST-332-5EX | Magneto-resistive | 3 wires | 10 ÷ 27 V DC | PNP | 100 mA | 6 W | Against polarity reversing and overvoltage | 5 m | 7,5 mm | Yellow |
| CST-432 | Reed | 3 wires | 5 ÷ 30 V AC/DC | PNP-NC | 250 mA | 10 VA / 8 W | Against polarity reversing | 2 m | 14,5 mm | Yellow |
| CST-432-5 | Reed | 3 wires | 5 ÷ 30 V AC/DC | PNP-NC | 250 mA | 10 VA / 8 W | Against polarity reversing | 5 m | 14,5 mm | Yellow |
| CST-432EX | Reed | 3 wires | 5 ÷ 30 V AC/DC | PNP-NC | 250 mA | 10 VA / 8 W | Against polarity reversing | 2 m | 14,5 mm | Yellow |
| CST-432-5EX | Reed | 3 wires | 5 ÷ 30 V AC/DC | PNP-NC | 250 mA | 10 VA / 8 W | Against polarity reversing | 5 m | 14,5 mm | Yellow |
| CST-532 | Hall effect | 3 wires | 10 ÷ 27 V DC | PNP | 100 mA | 6 W | Against polarity reversing and overvoltage | 2 m | 8,5 mm | Yellow |
| CST-532-5 | Hall effect | 3 wires | 10 ÷ 27 V DC | PNP | 100 mA | 6 W | Against polarity reversing and overvoltage | 5 m | 8,5 mm | Yellow |
| CST-532EX | Hall effect | 3 wires | 10 ÷ 27 V DC | PNP | 100 mA | 6 W | Against polarity reversing and overvoltage | 2 m | 8,5 mm | Yellow |
| CST-532-5EX | Hall effect | 3 wires | 10 ÷ 27 V DC | PNP | 100 mA | 6 W | Against polarity reversing and overvoltage | 5 m | 8,5 mm | Yellow |

*Mod. CST-220, CST-220-5:

in case of polarity reversing the sensor will still be operating, but the LED diode won't turn on.