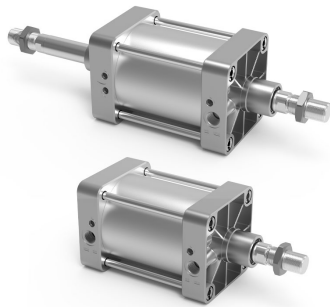


# CYLINDERS

## SERIES 40K

Double acting, cushioned, magnetic  
 Ø 160 - 200 - 250 - 320 mm



- In compliance with ISO 15552 standard and with the previous DIN/ISO 6431 - VDMA 24562 standard
- Adjustable pneumatic cushioning
- Rolled stainless steel rod (Ø 160 - 200 mm)
- Chrome plated steel rod (Ø 250 - 320 mm)
- Rod scraper in brass (Ø 160 - 200 mm)
- ATEX

Series 40K cylinders comply with the ISO 15552 standard and can be assembled with the entire range of standard accessories. A permanent magnet on the piston of these cylinders is able to send, through proximity switches mounted on the cylinder sliding axis, electrical signals to indicate its position.

This series is normally equipped with end-stroke cushioning which can be adjusted through a screw on the end block.

### General Data

<b>Operation</b>	Double-acting
<b>Design</b>	ISO 15552
<b>Materials</b>	Coated AL end blocks AL piston Rolled AISI 420B stainless steel (Ø 160, 200 mm) or chrome plated steel (Ø 250, 320 mm) rod Zinc-plated steel rod nut Anodized AL tube Zinc-plated steel tie-rods and tie-rod nuts NBR-PU rod - piston and cushion seals Brass rod scraper ring
<b>Mounting</b>	Front flange Rear flange Foot mounts Centre trunnion Front and rear trunnion
<b>Strokes min - max</b>	10 ÷ 2500 mm
<b>Working temperature</b>	0°C ÷ 80°C (with dry air - 20°C)
<b>Working pressure</b>	1 ÷ 10 bar
<b>Speed</b>	10 ÷ 500 mm/sec (without load)
<b>Fluid</b>	Filtered air, without lubrication. If lubricated air is used, it is recommended to use oil ISO VG32. Once applied the lubrication should never be interrupted.

## CYLINDERS

**SERIES 40K - STROKES**
**Standard strokes**

■ = Double-acting

∅	50	80	100	150	200	300	400	500
160	■	■	■	■	■	■	■	■
200	■	■	■	■	■	■	■	■
250	■	■	■	■	■	■	■	■
320	■	■	■	■	■	■	■	■

**1**
**Coding Example**

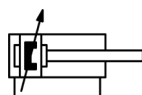
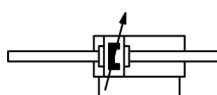
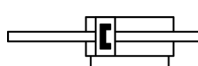
<b>40</b>	<b>K</b>	<b>2</b>	<b>L</b>	<b>160</b>	<b>A</b>	<b>0200</b>
-----------	----------	----------	----------	------------	----------	-------------

<b>40</b>	SERIES	
<b>K</b>	VERSION K = Standard, magnetic	
<b>2</b>	OPERATION 2 = Double-acting, front and rear cushions 3 = Double-acting, no cushion 4 = Double-acting, rear cushions 5 = Double-acting, front cushion 6 = Double-acting, through-rod, front and rear cushions 8 = Double-acting, through-rod, no cushion	PNEUMATIC SYMBOLS CD09 CD07 CD37 CD38 CD13 CD14
<b>L</b>	MATERIALS L = See the General Data table on the previous page T = AISI 420B stainless steel tie-rods - AISI 303 stainless steel tie-rod nuts C = Rolled AISI 303 stainless steel piston rod, AISI 304 stainless steel piston rod nut U = AISI 303 rolled stainless steel piston rod, AISI 304 stainless steel piston-rod nut W = AISI 304 rolled stainless steel piston rod, AISI 304 stainless steel piston-rod nut The rod of cylinders with bore of 250 and 320 mm is in C45E chrome plated steel.	
<b>160</b>	BORE 160 = 160 mm 200 = 200 mm 250 = 250 mm 320 = 320 mm	
<b>A</b>	TYPE OF BRACKET A = Standard F = Cylinder with centre trunnion	
<b>0200</b>	STROKE	
	SEAL OPTIONS = Standard V = Rod Seal FKM W = All FKM seals +130°C G = With brass rod scraper (chrome plated AISI 420B stainless steel rod, NBR rod seal) [∅ 250 and 320 excluded]	
	ROD LENGTH = Standard ( _ _ ) = Rod extended with _ _ mm	
	PROTECTION OPTIONS = Standard C = PU coated. Colour: Grey RAL 7035 [available on request]	
	CERTIFICATIONS = Standard EX = ATEX	

**Pneumatic symbols**

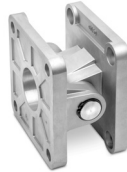
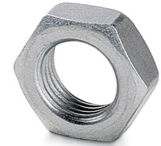
The pneumatic symbols indicated in the Coding Example are shown below.

**CD07**

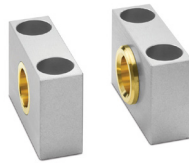
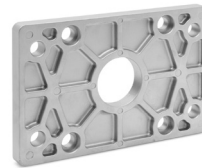
**CD09**

**CD13**

**CD14**

**CD37**

**CD38**


## Accessories for series 40K cylinders

Rear trunnion, male  
Mod. LSelf aligning rod Mod.  
GKSwivel Combination  
Mod. C+L+SFemale trunnion Mod.  
C-HPiston rod lock nut  
Mod. U

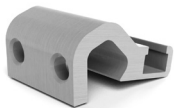
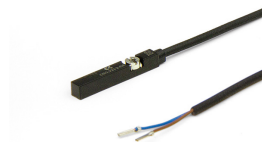
Clevis pin Mod. S

90° Swivel combination  
Mod. ZSCounter bracket for  
trunnion Mod. BFFront and rear flange  
Mod. D-E

Rod fork end Mod. G

Centre trunnion Mod.  
F

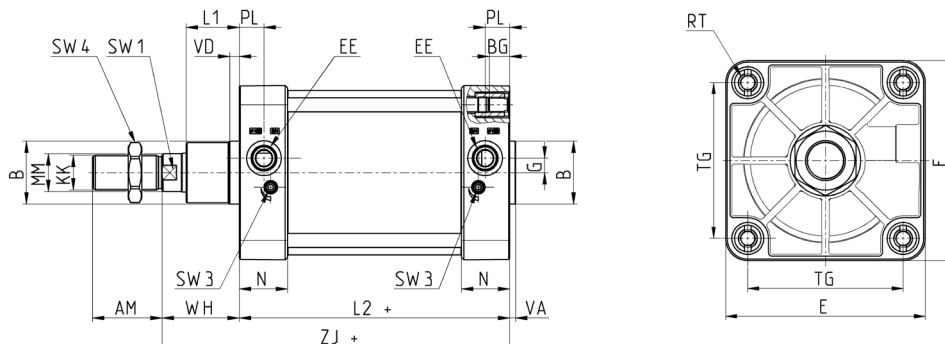
Foot mount Mod. B

Magnetic proximity  
switch Mod. CSTProximity switch Mod.  
CSNAdapter Mod. S-CST-29  
for CSGAdapter Mod. S-CST-28  
for CST-CSGAdapter Mod. S21 for  
CSNProximity switches  
Mod. CSG

All accessories are supplied separately, except for piston rod lock nut Mod. U.

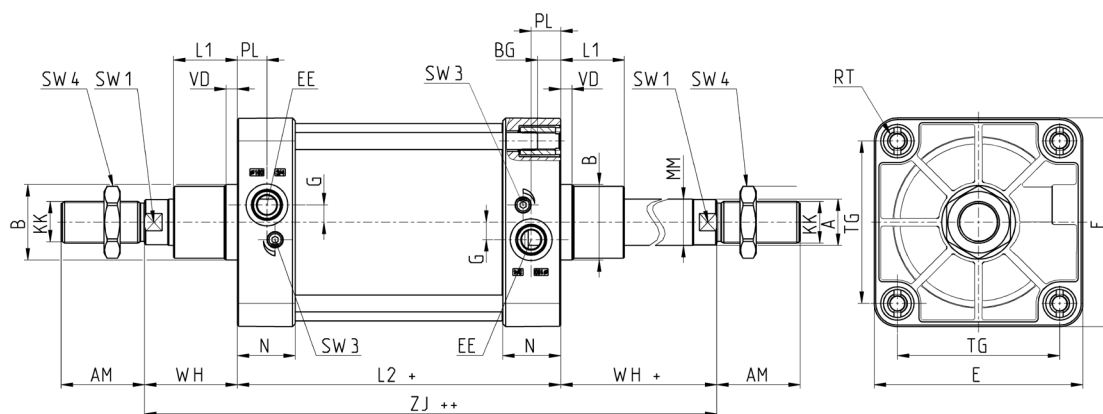
CYLINDERS  
**SERIES 40K - DIMENSIONS**
**Series 40K cylinders**

PNEUMATIC ACTUATION

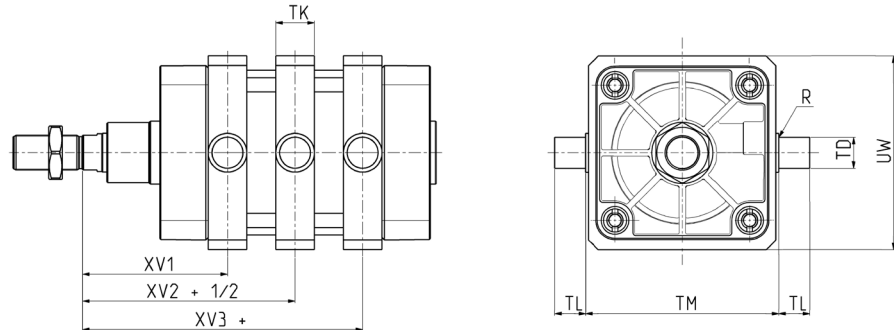
**1**


+ = add the stroke

∅	gMM	KK	gB	PL	G	L1	AM	VA	EE	WH	L2+	ZJ+	VD	N	RT	BG	TG	E	SW1	SW3	SW4	Cushion stroke
160	40	M36x2	65	25,5	15	55	72	6	G3/4	80	180	260	10	50	M16	24	140	180	36	4	55	48
200	40	M36x2	75	25,5	15	65	72	8	G3/4	95	180	275	25	50	M16	24	175	220	36	4	55	33
250	50	M42x2	90	30	25	75	84	8	G1	105	200	305	25	60	M20	25	220	270	46	6	65	50
320	63	M48x2	110	30	35	90	96	10	G1	120	220	340	25	65	M24	28	270	350	55	6	75	48

**Series 40K cylinders - through-rod**

 + = add the stroke once  
 ++ = add the stroke twice

∅	gMM	KK	gB	PL	G	L1	AM	VA	EE	WH	L2+	ZJ+	VD	N	RT	BG	TG	E	SW1	SW3	SW4	Cushion stroke
160	40	M36x2	65	25,5	15	55	72	6	G3/4	80	180	260	10	50	M16	24	140	180	36	4	55	33
200	40	M36x2	75	25,5	15	65	72	8	G3/4	95	180	275	25	50	M16	24	175	220	36	4	55	48
250	50	M42x2	90	30	25	75	84	8	G1	105	200	305	25	60	M20	25	220	270	46	6	65	48
320	63	M48x2	110	30	35	90	96	10	G1	120	220	340	25	65	M24	28	270	350	55	6	75	50

**Series 40K cylinders with trunnion Mod. F assembled**


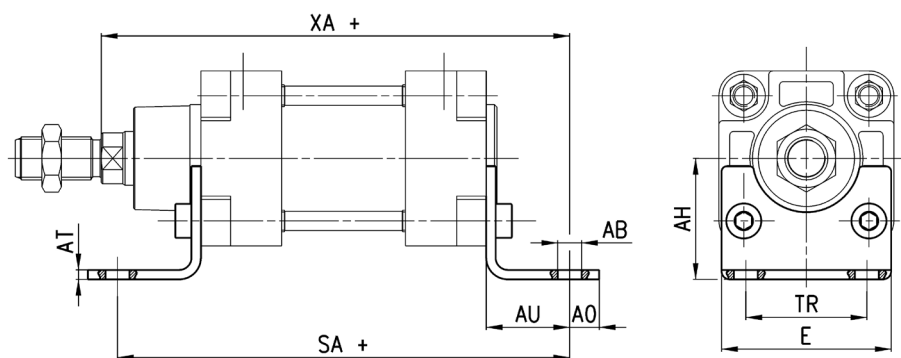
+ = add the stroke  
+ 1/2 = add half the stroke

Ø	XV1	XV2+1/2	XV3 +	TM	TK	TD	TL	UW	R	Note
160	150	170	190	200	40	32	32	190	2	
200	165	185	205	250	40	32	32	240	2	
250	190	205	220	320	50	40	40	300	-	Fixing with 4 threaded tie-rods
320	220	230	240	400	70	50	50	400	-	Fixing with 4 threaded tie-rods

**Foot mount Mod. B**


**Supplied with:**  
2x foot mounts in black-painted steel (cataphoresis)  
4x white zinc-plated screws

For diameters 250 and 320  
white zinc-plating

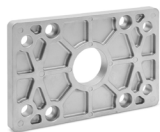


+ = add the stroke

Mod.	Ø	AT	SA +	XA +	TR	E	ø <sub>AB</sub>	AH	AO	AU
B-41-160	160	10	300	320	115	175	18,5	115	25	60
B-41-200	200	12	320	345	135	238	24	135	35	70
B-41-250	250	14	350	380	165	270	26	165	25	75
B-41-320	320	20	390	425	200	353	35	200	45	85

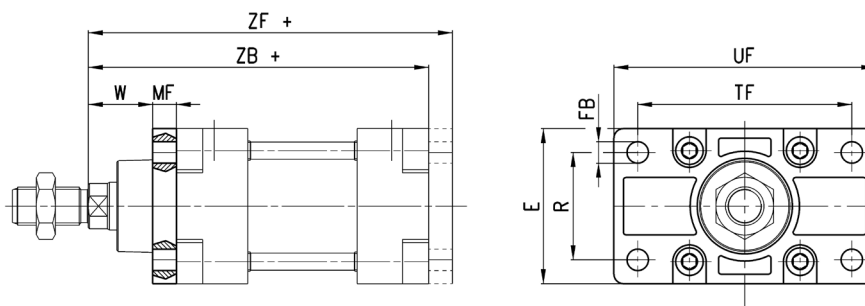
CYLINDERS  
**SERIES 40K - ACCESSORIES**

PNEUMATIC ACTUATION

**1**
**Front and rear flange Mod. D-E**


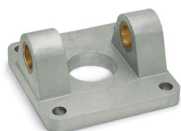
**Material:**  
 zinc-plated steel for  $\varnothing$  250;  
 aluminium for  $\varnothing$  160 -  
 $\varnothing$  200;  
 stainless steel 304 for  $\varnothing$  320

Supplied with:  
 1x flange  
 4x screws



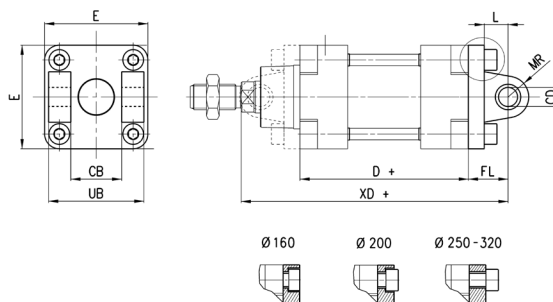
+ = add the stroke

Mod.	$\varnothing$	W	MF	ZB +	TF	R	UF	E	$\varnothing$ FB	ZF +	Material
D-E-41-160	160	60	20	260	230	115	260	180	18	280	Aluminium
D-E-41-200	200	70	25	275	270	135	300	220	22	300	Aluminium
D-E-41-250	250	80	25	305	330	165	400	285	26	330	Zinc-plated steel
D-E-41-320	320	90	30	340	400	200	470	350	33	370	Stainless steel 304

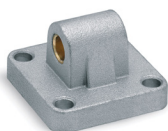
**Front and rear female trunnion Mod. C-H**


**Material:**  
 aluminium

Supplied with:  
 1x female trunnion  
 4x screws

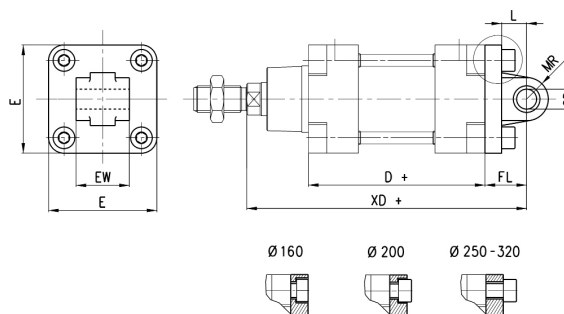


Mod.	$\varnothing$	$\varnothing$ CD	L	FL	D +	XD +	MR	E	CB	UB
C-H-41-160	160	30	35	55	180	315	25	180	90	169
C-H-41-200	200	30	35	60	180	334	25	220	90	169
C-H-41-250	250	40	45	70	200	375	40	270	110	200
C-H-41-320	320	45	50	80	220	420	45	350	120	220

**Rear male trunnion Mod. L**


**Material:**  
 aluminium

Supplied with:  
 1x male trunnion  
 4x screws



+ = add the stroke

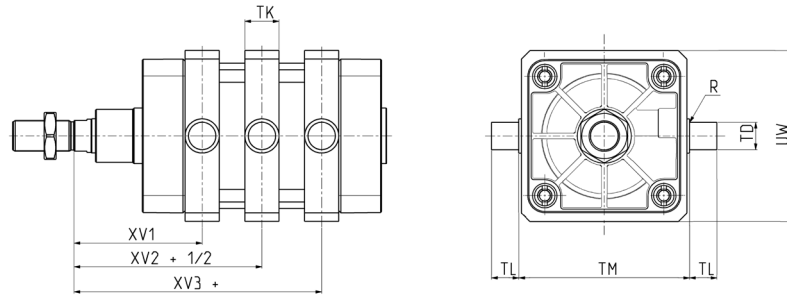
Mod.	$\varnothing$	$\varnothing$ CD	L	FL	XD +	MR	E	EW
L-41-160	160	30	35	55	315	25	180	90
L-41-200	200	30	35	60	335	25	220	90
L-41-250	250	40	45	70	375	40	270	110
L-41-320	320	45	50	80	420	45	350	110

## Centre trunnion Mod. F



**Material:**  
zinc-plated steel

Supplied with:  
1x intermediate trunnion  
8x locking screws



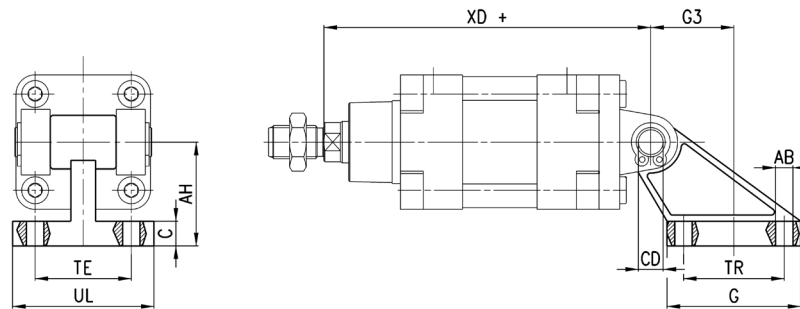
+ = add the stroke

Mod.	∅	XV1	XV + 1/2	XV3 +	TM	TK	TD	TL	UW	R
F-160	160	150	170	190	200	40	32	32	190	2
F-200	200	165	185	205	250	40	32	32	240	2

## 90° Swivel combination Mod. ZS\*



Supplied with:  
1x aluminium swivel  
combination 45°



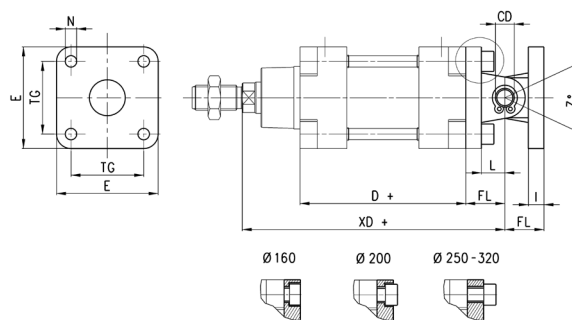
+ = add the stroke

Mod.	∅	TE	TR	∅AB	AH	C	G	∅CD	UL	XD +	G3*
ZS-160N	160	118	88	14	115	20	126	30	156	315	53
ZS-200N	200	122	90	18	135	25	130	30	162	335	60

## Swivel combination Mod. C+L+S



**Material:**  
aluminium



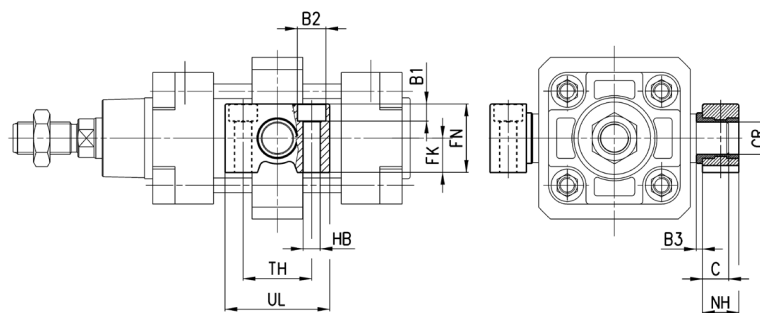
+ = add the stroke

Mod.	∅	E	TG	∅N	D +	XD +	∅CD	L	FL	I	Z° (max)
C+L+S	160	180	140	18	180	315	30	35	55	20	25
C+L+S	200	220	175	18	180	335	30	35	60	25	20
C+L+S	250	270	220	22	200	375	40	45	70	25	33
C+L+S	320	350	270	30	220	420	40	50	80	30	30

CYLINDERS  
**SERIES 40K - ACCESSORIES**
**Counter bracket for centre trunnion Mod. BF**

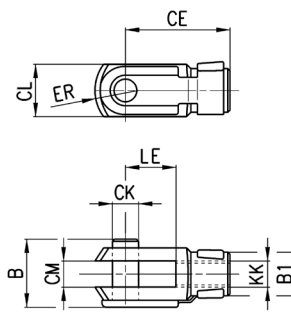
PNEUMATIC ACTUATION


**Material:**  
 aluminium

 Supplied with:  
 2x supports


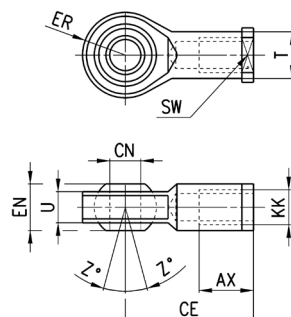
Mod.	∅	∅ <sub>CR</sub>	NH	C	B3	TH	UL	FK	FN	B1	∅ <sub>B2</sub>	∅ <sub>HB</sub>
BF-160-200	160-200	32	40	22,5	5	60	92	30	60	16	26	18

**Rod fork end Mod. G**

**ISO 8140**
**Material:**  
 zinc-plated steel


Mod.	∅	∅ <sub>CK</sub>	LE	CM	CL	ER	CE	KK	B	∅ <sub>B1</sub>
G-160-200	160-200	35	72	35	70	44	144	M36x2	92	60
G-250	250	40	84	40	85	-	168	M42x2	96	70
G-320	320	50	96	50	90	73	192	M48x2	120	80

**Swivel ball joint Mod. GA**

**ISO 8139**
**Material:**  
 zinc-plated steel


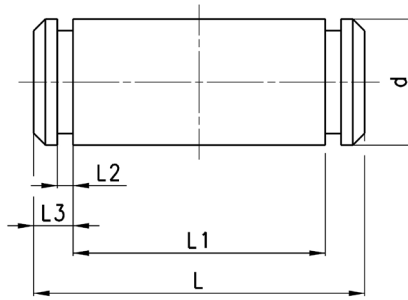
Mod.	∅	∅ <sub>CN</sub>	U	EN	ER	AX	CE	KK	∅ <sub>T</sub>	Z	SW
GA-160-200	160-200	35	28	43	40	56	125	M36x2	46	6	50
GA-250	250	40	33	49	-	60	142	M42x2	55	17	55
GA-320	320	50	45	60	58.5	65	160	M48x2	65	12	65

## Clevis pin Mod. S



**Materials:**  
Stainless steel Clevis pin,  
Steel Seeger

Supplied with:  
1x clevis pin  
2x seeger in steel



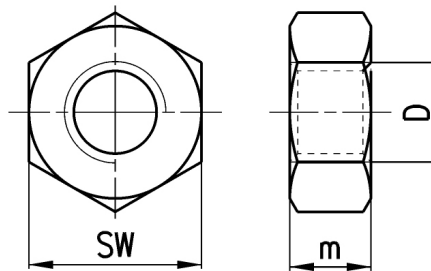
Mod.	∅	d	L	L1	L2	L3
S-160-200	160-200	30	180,5	172	1,6	4,25
S-250	250	40	210	202	1,85	4,5
S-320	320	45	236	222	1,85	7

## Piston rod nut Mod. U



UNI EN ISO 4035

Material:  
zinc-plated steel

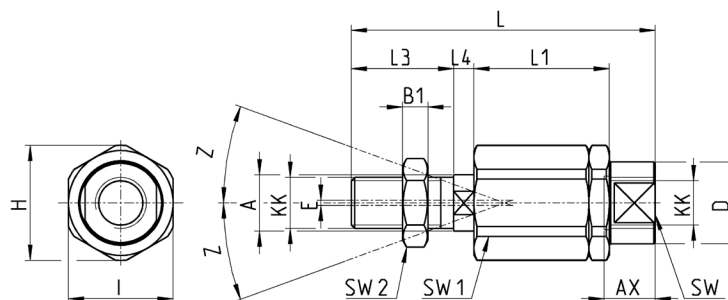


Mod.	∅	D	m	SW
U-160-200	160-200	M36x2	14	55
U-250	250	M42x2	16	65
U-320	320	M48x2	24	75

## Self aligning rod Mod. GK



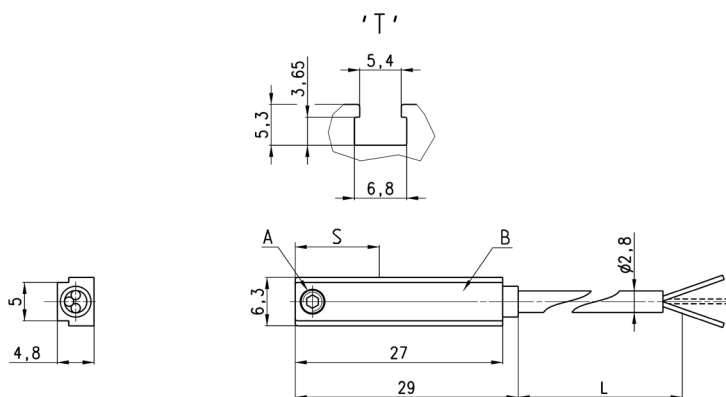
Material:  
zinc-plated steel



Mod.	∅	KK	L	L1	L3	L4	A	D	H	I	SW	SW1	SW2	B1	AX	Z	E
GK-160-200	160-200	M36x2	190	77	72	15,5	39	57	75	70	54	32	55	14	68	4	2

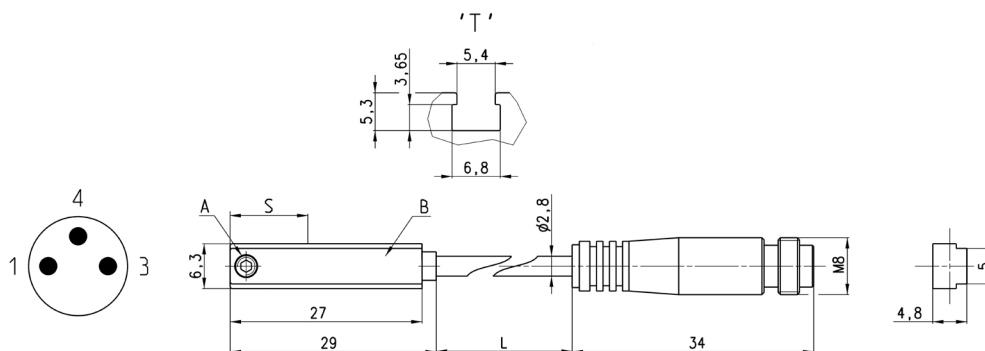
**CYLINDERS**  
**SERIES 40K - ACCESSORIES**

PNEUMATIC ACTUATION

**1**
**Magnetic proximity switches with 2- or 3-wire cable for T-slot**


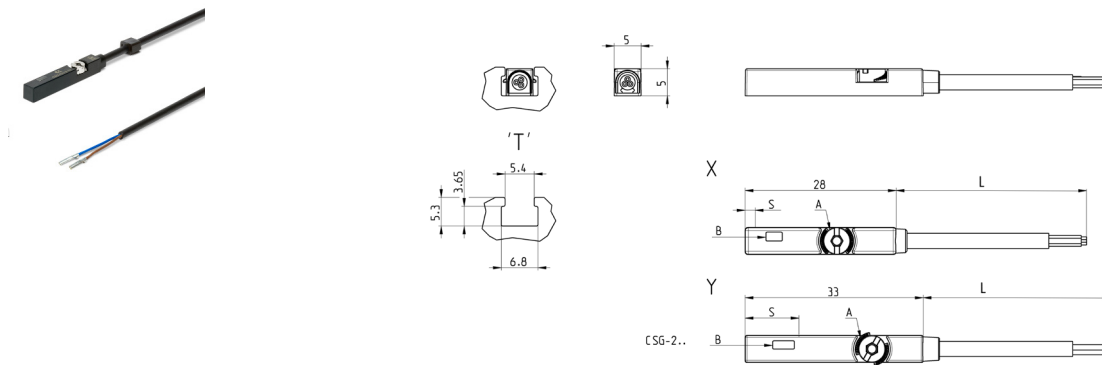
Mod.	Operation	Connections	Voltage	Output	Max. current	Max Load	Protection	L	S	LED colour
CST-220*	Reed	2 wires	10 ÷ 110 V AC/DC-230 V AC	-	250 mA	10 VA / 8 W	None	2 m	14,5 mm	Yellow
CST-220-5*	Reed	2 wires	10 ÷ 110 V AC/DC-230 V AC	-	250 mA	10 VA / 8 W	None	5 m	14,5 mm	Yellow
CST-220EX	Reed	2 wires	10 ÷ 110 V AC/DC-230 V AC	-	250 mA	10 VA / 8 W	None	2 m	14,5 mm	Yellow
CST-220-5EX	Reed	2 wires	10 ÷ 110 V AC/DC-230 V AC	-	250 mA	10 VA / 8 W	None	5 m	14,5 mm	Yellow
CST-220-12EX	Reed	2 wires	10 ÷ 110 V AC/DC-230 V AC	-	250 mA	10 VA / 8 W	None	12 m	14,5 mm	Yellow
CST-232	Reed	3 wires	5 ÷ 30 V AC/DC	PNP	250 mA	10 VA / 8 W	Against polarity reversing	2 m	14,5 mm	Yellow
CST-232-5	Reed	3 wires	5 ÷ 30 V AC/DC	PNP	250 mA	10 VA / 8 W	Against polarity reversing	5 m	14,5 mm	Yellow
CST-232EX	Reed	3 wires	5 ÷ 30 V AC/DC	PNP	250 mA	10 VA / 8 W	Against polarity reversing	2 m	14,5 mm	Yellow
CST-232-5EX	Reed	3 wires	5 ÷ 30 V AC/DC	PNP	250 mA	10 VA / 8 W	Against polarity reversing and overvoltage	5 m	14,5 mm	Yellow
CST-332	Magneto-resistive	3 wires	10 ÷ 27 V DC	PNP	100 mA	6 W	Against polarity reversing and overvoltage	2 m	7,5 mm	Yellow
CST-332-5	Magneto-resistive	3 wires	10 ÷ 27 V DC	PNP	100 mA	6 W	Against polarity reversing and overvoltage	5 m	7,5 mm	Yellow
CST-332EX	Magneto-resistive	3 wires	10 ÷ 27 V DC	PNP	100 mA	6 W	Against polarity reversing and overvoltage	2 m	7,5 mm	Yellow
CST-332-5EX	Magneto-resistive	3 wires	10 ÷ 27 V DC	PNP	100 mA	6 W	Against polarity reversing and overvoltage	5 m	7,5 mm	Yellow
CST-432	Reed	3 wires	5 ÷ 30 V AC/DC	PNP-NC	250 mA	10 VA / 8 W	Against polarity reversing	2 m	14,5 mm	Yellow
CST-432-5	Reed	3 wires	5 ÷ 30 V AC/DC	PNP-NC	250 mA	10 VA / 8 W	Against polarity reversing	5 m	14,5 mm	Yellow
CST-432EX	Reed	3 wires	5 ÷ 30 V AC/DC	PNP-NC	250 mA	10 VA / 8 W	Against polarity reversing	2 m	14,5 mm	Yellow
CST-432-5EX	Reed	3 wires	5 ÷ 30 V AC/DC	PNP-NC	250 mA	10 VA / 8 W	Against polarity reversing	5 m	14,5 mm	Yellow
CST-532	Hall effect	3 wires	10 ÷ 27 V DC	PNP	100 mA	6 W	Against polarity reversing and overvoltage	2 m	8,5 mm	Yellow
CST-532-5	Hall effect	3 wires	10 ÷ 27 V DC	PNP	100 mA	6 W	Against polarity reversing and overvoltage	5 m	8,5 mm	Yellow
CST-532EX	Hall effect	3 wires	10 ÷ 27 V DC	PNP	100 mA	6 W	Against polarity reversing and overvoltage	2 m	8,5 mm	Yellow
CST-532-5EX	Hall effect	3 wires	10 ÷ 27 V DC	PNP	100 mA	6 W	Against polarity reversing and overvoltage	5 m	8,5 mm	Yellow

\*Mod. CST-220, CST-220-5:  
in case of polarity reversing the sensor will still be operating, but the LED diode won't turn on.

**Magnetic proximity switches with M8 3-pin connector for T-slot**


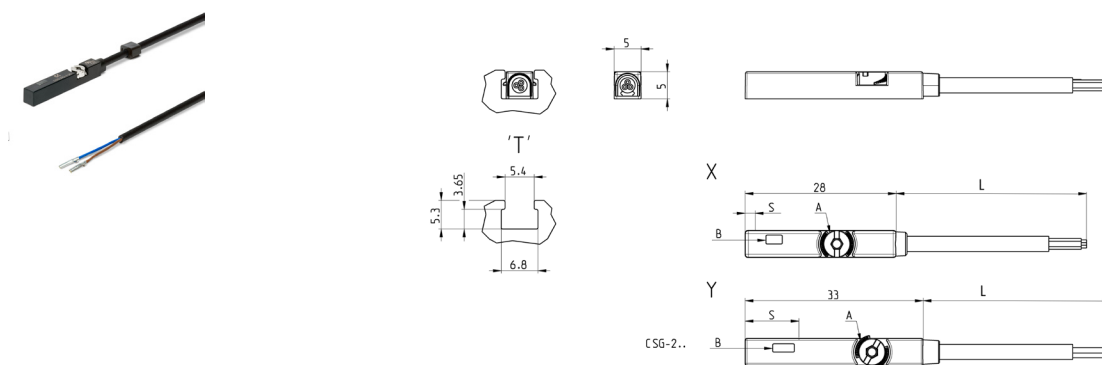
Mod.	Operation	Connection	Voltage	Output	Max. current	Max Load	Protection	L	S	LED colour
CST-250N*	Reed	2 wires M8 male 3 pin	10 ÷ 110 V AC/DC	-	250 mA	10 VA / 8 W	None	0,3 m	14,5 mm	Yellow
CST-250NEX	Reed	2 wires M8 male 3 pin	10 ÷ 110 V AC/DC	-	250 mA	10 VA / 8 W	None	0,3 m	14,5 mm	Yellow
CST-262	Reed	3 wires M8 male 3 pin	5 ÷ 30 V AC/DC	PNP	250 mA	10 VA / 8 W	Against polarity reversing	0,3 m	14,5 mm	Yellow
CST-262EX	Reed	3 wires M8 male 3 pin	5 ÷ 30 V AC/DC	PNP	250 mA	10 VA / 8 W	Against polarity reversing	0,3 m	14,5 mm	Yellow
CST-362	Magneto-resistive	3 wires M8 male 3 pin	10 ÷ 27 V DC	PNP	100 mA	6 W	Against polarity reversing and overvoltage	0,3 m	7,5 mm	Yellow
CST-362EX	Magneto-resistive	3 wires M8 male 3 pin	10 ÷ 27 V DC	PNP	100 mA	6 W	Against polarity reversing and overvoltage	0,3 m	7,5 mm	Yellow
CST-562	Hall effect	3 wires M8 male 3 pin	10 ÷ 27 V DC	PNP	100 mA	6 W	Against polarity reversing and overvoltage	0,3 m	8,5 mm	Yellow
CST-562EX	Hall effect	3 wires M8 male 3 pin	10 ÷ 27 V DC	PNP	100 mA	6 W	Against polarity reversing and overvoltage	0,3 m	8,5 mm	Yellow

\*Mod. CST-250N:  
in case of polarity reversing the sensor will still be operating, but the LED diode won't turn on.

**Magnetic proximity switches, ATEX "II 3 GD" certified, T-slot, straight**


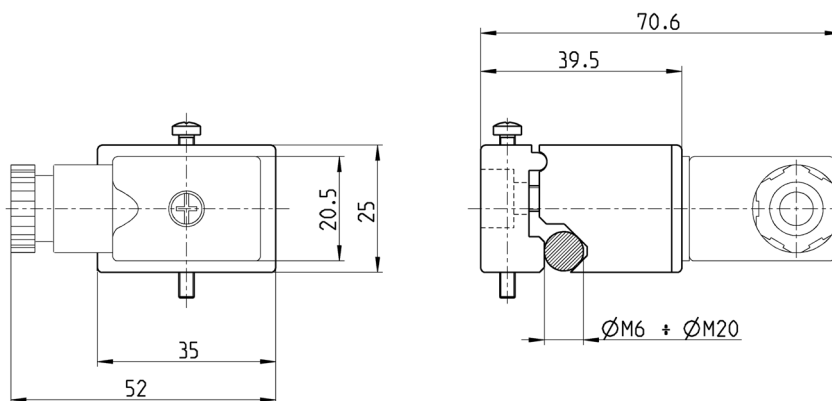
Mod.	Operation	Connection	Voltage	Output	Max. current	Max Load	Protection	L	S	LED colour
CSG-223-2-EX*	Reed NO	2 wires	5 ÷ 30 V AC/DC	-	100 mA	3 W	IP67	2 m	10 mm	Red
CSG-223-5-EX*	Reed NO	2 wires	5 ÷ 30 V AC/DC	-	100 mA	3 W	IP67	5 m	10 mm	Red
CSG-233-2-EX	Reed NO	3 wires	10 ÷ 30 V AC/DC	PNP	500 mA	10 W	IP67	2 m	10 mm	Yellow
CSG-233-5-EX	Reed NO	3 wires	10 ÷ 30 V AC/DC	PNP	500 mA	10 W	IP67	5 m	10 mm	Yellow
CSG-324-2-EX*	Magneto-resistive NO	2 wires	10 ÷ 28 V DC	-	50 mA	1,5 W	IP67	2 m	2,3 mm	Red
CSG-324-5-EX*	Magneto-resistive NO	2 wires	10 ÷ 28 V DC	-	50 mA	1,5 W	IP67	5 m	2,3 mm	Red
CSG-334-2-EX	Magneto-resistive NO	3 wires	10 ÷ 28 V DC	PNP	200 mA	5,5 W	IP67	2 m	2,3 mm	Yellow
CSG-334-5-EX	Magneto-resistive NO	3 wires	10 ÷ 28 V DC	PNP	200 mA	5,5 W	IP67	5 m	2,3 mm	Yellow
CSG-534-2-EX	Magneto-resistive NO	3 wires	10 ÷ 28 V DC	NPN	200 mA	5,5 W	IP67	2 m	2,3 mm	Red
CSG-534-5-EX	Magneto-resistive NO	3 wires	10 ÷ 28 V DC	NPN	200 mA	5,5 W	IP67	5 m	2,3 mm	Red
CSG-734-2-EX	Magneto-resistive NC	3 wires	10 ÷ 28 V DC	NPN	200 mA	5,5 W	IP67	2 m	2,3 mm	Red
CSG-734-5-EX	Magneto-resistive NC	3 wires	10 ÷ 28 V DC	NPN	200 mA	5,5 W	IP67	5 m	2,3 mm	Red
CSG-634-2-EX	Magneto-resistive NC	3 wires	10 ÷ 28 V DC	PNP	200 mA	5,5 W	IP67	2 m	2,3 mm	Yellow
CSG-634-5-EX	Magneto-resistive NC	3 wires	10 ÷ 28 V DC	PNP	200 mA	5,5 W	IP67	5 m	2,3 mm	Yellow

\*Mod. CSG-223-2-EX, CSG-223-5-EX, CSG-324-2-EX, CSG-324-5-EX:  
in case of polarity reversing the sensor will still be operating, but the LED diode won't turn on.

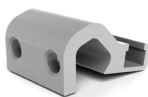
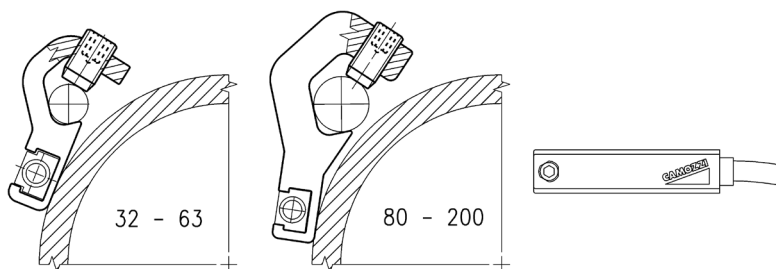
**Magnetic proximity switches, UL certified, T-slot, straight**


Mod.	Operation	Connection	Voltage	Output	Max. current	Max Load	Protection	L	S	LED colour
CSG-223-2-UL*	Reed	2 wires	5 ÷ 30 V AC/DC	-	60 mA	1,8 W	IP67	2 m	10 mm	Red
CSG-223-5-UL*	Reed	2 wires	5 ÷ 30 V AC/DC	-	60 mA	1,8 W	IP67	5 m	10 mm	Red
CSG-223-10-UL	Reed	2 wires	5 ÷ 30 V AC/DC	-	60 mA	1,8 W	IP67	10 m	10 mm	Red
CSG-233-2-UL	Reed	3 wires	10 ÷ 30 V AC/DC	PNP	100 mA	3 W	IP67	2 m	10 mm	Yellow
CSG-233-5-UL	Reed	3 wires	10 ÷ 30 V AC/DC	PNP	100 mA	3 W	IP67	5 m	10 mm	Yellow
CSG-233-10-UL	Reed	3 wires	10 ÷ 30 V AC/DC	PNP	100 mA	3 W	IP67	5 m	10 mm	Yellow
CSG-324-2-UL*	Magneto-resistive	2 wires	10 ÷ 28 V DC	-	40 mA	1,2 W	IP67	2 m	2,3 mm	Red
CSG-324-5-UL*	Magneto-resistive	2 wires	10 ÷ 28 V DC	-	40 mA	1,2 W	IP67	5 m	2,3 mm	Red
CSG-334-2-UL	Magneto-resistive	3 wires	10 ÷ 28 V DC	PNP	100 mA	3 W	IP67	2 m	2,3 mm	Yellow
CSG-334-5-UL	Magneto-resistive	3 wires	10 ÷ 28 V DC	PNP	100 mA	3 W	IP67	5 m	2,3 mm	Yellow
CSG-534-2-UL	Magneto-resistive	3 wires	10 ÷ 28 V DC	NPN	100 mA	3 W	IP67	2 m	2,3 mm	Red
CSG-534-5-UL	Magneto-resistive	3 wires	10 ÷ 28 V DC	NPN	100 mA	3 W	IP67	5 m	2,3 mm	Red

\*Mod. CSG-223-2-UL, CSG-223-5-UL, CSG-324-2-UL, CSG-324-5-UL:  
in case of polarity reversing the sensor will still be operating, but the LED diode won't turn on.

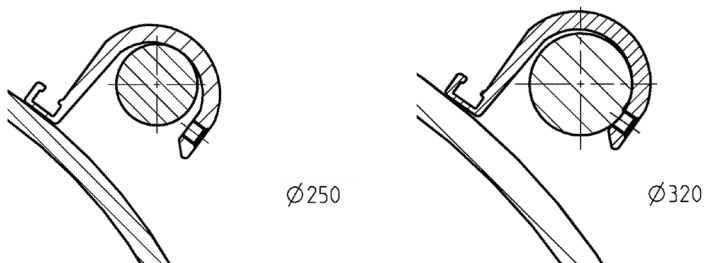
**Mod. CSN proximity switches**


Mod.	Series	Ø
CSN 2032-0	40K	160-200

**Adapters Mod. S-CST-28 for Series CST-CSG proximity switches**

 Material:  
 anodized aluminium


Mod.	Cylinders Series	Ø
S-CST-28	40K	160-200
S-CST-29	40K	250-320

**Adapters Mod. S-CST-29 for CSG proximity switches**

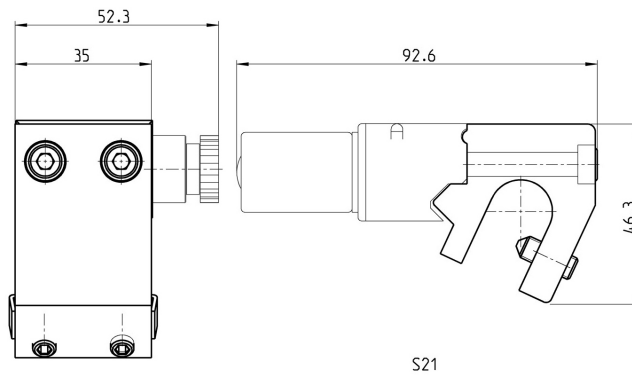
 Material:  
 aluminium


Mod.	Series	Ø
S-CST-29	40K	250-320

## Adapter Mod. S21 for CSN proximity switch



**Material:**  
aluminium

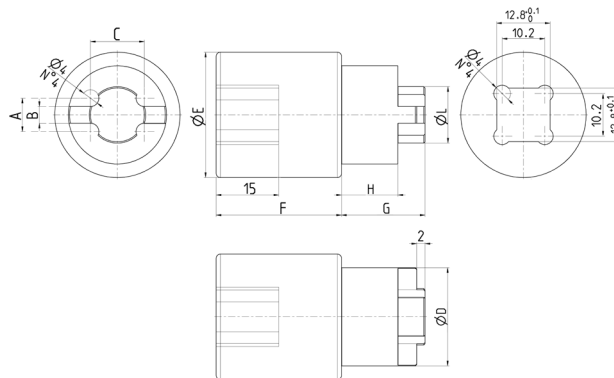


Mod.	Series	Ø
S21	40K	160-200

## Special key to disassemble cylinders S. 40K



**Material:**  
steel



Mod.	Ø	A	B	C	ØD	ØE	F	G	H	ØL
160-200-40K/8C	160/200	8	4	12,9	23,5	30	30	20	13,5	13,5
250-40K/8C	250	9,5	5	16,6	31,5	30	27	24	16	17,5
320-40K/8C	320	9,5	5	20,3	35,5	32	27	24	16	21