

MINI BALL VALVES FOR PNEUMATICS AND INDUSTRIAL FLUIDS

SERIES 29

Tube external diameters: 4, 6 and 8mm
Threads: BSP (G1/8, G1/4, G3/8, G1/2, R1/8, R1/4)



The mini ball valves are used to open or close air or fluids in industrial applications characterised by extremely reduced spaces.

The miniaturised dimensions and light weight of Series 29 enable a quick installation at any point of the system, also thanks to the push-in connection or thread.

The design and materials used make this series particularly suitable for compressed air systems as well as hydraulic circuits and systems.

- Reduction in installation time
- Compact dimensions
- Cost effective solution
- Lightweight
- Maximum flow capability
- Easy-to-operate lever
- Usage with polymer tubing
- Versions available:
 - MINI
 - ECO
 - Butterfly
 - 3/2-way

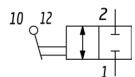
General Data

| | |
|------------------------------|--|
| Function | 2/2-way, 3/2-way with exhaust |
| Operation | 90° lever rotation |
| Ports | G1/8, G1/4, G3/8, G1/2, R1/8, R1/4 |
| Tube diameter | Ø 4, 6, 8 mm |
| Orifice diameter | 6 mm (MINI version) 8 mm bis 10 mm (ECO, butterfly and 3/2-way with exhaust) |
| Operating pressure | Push-in: -0,9 ÷ 16 bar Threaded models: -0,9 ÷ 20 bar |
| Operating temperature | Push-in: -20°C ÷ 80°C Threaded models: -20°C ÷ 80°C |
| Materials | Valve body, rod, collet: brass; ball: nickel plated brass; ball seals: PTFE rod sealing ring: FKM; Lever: Glass charged PA66 |
| Surface finishing | Chrome plated, sandblasted and chrome plated (only butterfly version) |
| Medium | Compressed air, inert gases, water, oil - other on demand |

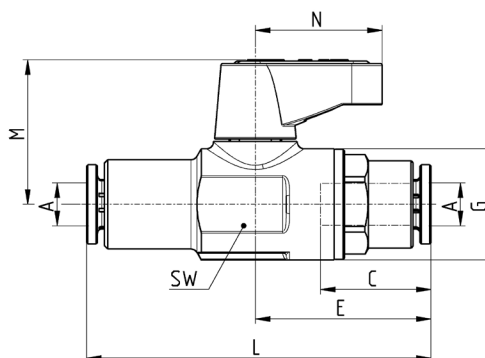
MINI BALL VALVES FOR PNEUMATICS AND INDUSTRIAL FLUIDS
SERIES 29 - DIMENSIONS

Mini ball valves, MINI version - Mod. 2948

2/2 in-line with Push-in Collet



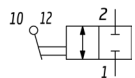
VN39



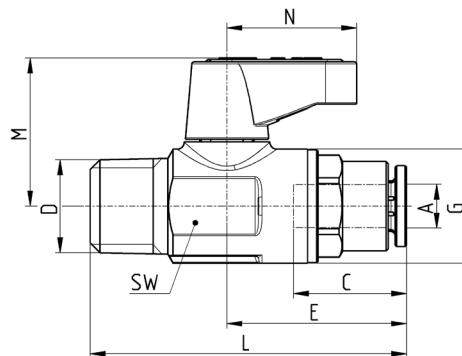
| Mod. | A | dn | C | E | G | L | M | N | SW |
|--------|---|----|------|------|----|----|----|------|----|
| 2948 4 | 4 | 6 | 14 | 22,5 | 16 | 45 | 21 | 18,5 | 14 |
| 2948 6 | 6 | 6 | 16 | 25,5 | 16 | 50 | 21 | 18,5 | 14 |
| 2948 8 | 8 | 6 | 17,5 | 27 | 16 | 53 | 21 | 18,5 | 14 |

Mini ball valves, MINI version - Mod. 2947

2/2 in-line with Push-in Collet, Male BSPT Threads



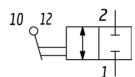
VN39



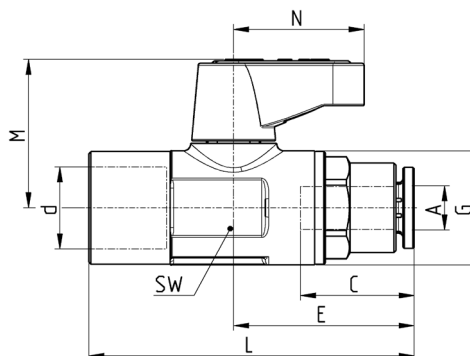
| Mod. | A | D | dn | C | E | G | L | M | N | SW |
|------------|---|------|----|------|------|----|------|----|------|----|
| 2947 1/8-4 | 4 | R1/8 | 6 | 14 | 22,5 | 16 | 39,5 | 21 | 18,5 | 14 |
| 2947 1/8-6 | 6 | R1/8 | 6 | 16 | 25,5 | 16 | 42,5 | 21 | 18,5 | 14 |
| 2947 1/8-8 | 8 | R1/8 | 6 | 17,5 | 27 | 16 | 44 | 21 | 18,5 | 14 |
| 2947 1/4-4 | 4 | R1/4 | 6 | 14 | 22,5 | 16 | 42 | 21 | 18,5 | 14 |
| 2947 1/4-6 | 6 | R1/4 | 6 | 16 | 25,5 | 16 | 45 | 21 | 18,5 | 14 |
| 2947 1/4-8 | 8 | R1/4 | 6 | 17,5 | 27 | 16 | 46,5 | 21 | 18,5 | 14 |

Mini ball valves, MINI version - Mod. 2946

2/2 in-line with Push-in Collet, Female BSPP Thread



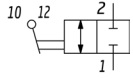
VN39



| Mod. | A | D | dn | C | E | G | L | M | N | SW |
|------------|---|------|----|------|------|----|------|----|------|----|
| 2946 1/8-4 | 4 | G1/8 | 6 | 14 | 22,5 | 16 | 41 | 21 | 18,5 | 14 |
| 2946 1/8-6 | 6 | G1/8 | 6 | 16 | 25,5 | 16 | 44 | 21 | 18,5 | 14 |
| 2946 1/8-8 | 8 | G1/8 | 6 | 17,5 | 27 | 16 | 45,5 | 21 | 18,5 | 14 |
| 2946 1/4-4 | 4 | G1/4 | 6 | 14 | 22,5 | 16 | 43 | 21 | 18,5 | 14 |
| 2946 1/4-6 | 6 | G1/4 | 6 | 16 | 25,5 | 16 | 46 | 21 | 18,5 | 14 |
| 2946 1/4-8 | 8 | G1/4 | 6 | 17,5 | 27 | 16 | 47,5 | 21 | 18,5 | 14 |

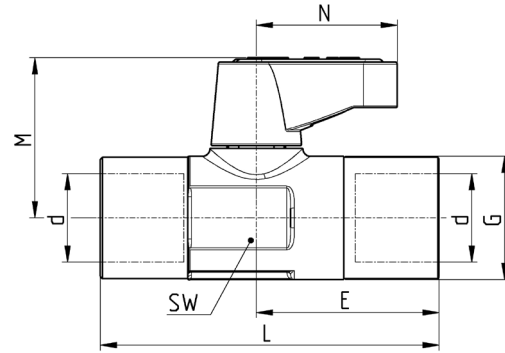
Mini ball valves, MINI version - Mod. 2943

2/2 in-line, Female-Female BSPP Threads



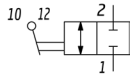
VN39

| Mod. | D | dn | E | G | L | M | N | SW |
|----------|------|----|----|----|------|----|------|----|
| 2943 1/8 | G1/8 | 6 | 21 | 16 | 39,5 | 21 | 18,5 | 14 |
| 2943 1/4 | G1/4 | 6 | 24 | 16 | 44,5 | 21 | 18,5 | 14 |



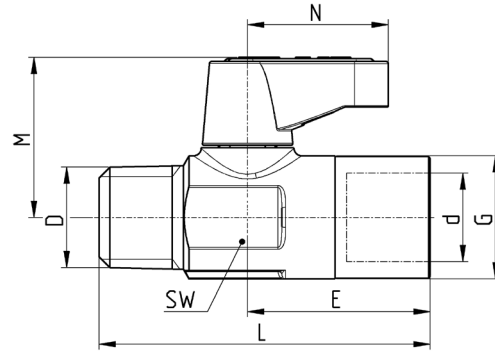
Mini ball valves, MINI version - Mod. 2944

2/2 in-line, Male BSPT-Female BSPP Threads



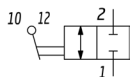
VN39

| Mod. | D | D | dn | E | G | L | M | N | SW |
|--------------|------|------|----|------|----|------|----|------|----|
| 2944 1/8-1/8 | R1/8 | R1/8 | 6 | 21 | 16 | 38 | 21 | 18,5 | 14 |
| 2944 1/4-1/4 | R1/4 | R1/4 | 6 | 24,5 | 16 | 43,5 | 21 | 18,5 | 14 |



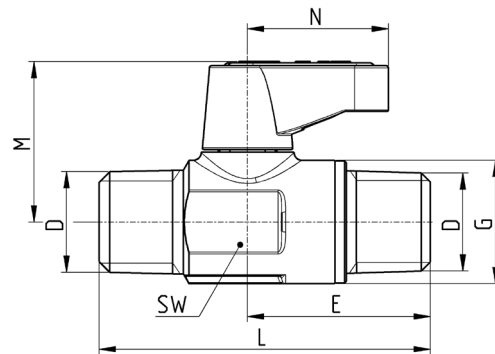
Mini ball valves, MINI version - Mod. 2945

2/2 in-line, Male BSPT Threads



VN39

| Mod. | D | dn | E | G | L | M | N | SW |
|----------|------|----|----|----|------|----|------|----|
| 2945 1/8 | R1/8 | 6 | 21 | 16 | 38,5 | 21 | 18,5 | 14 |
| 2945 1/4 | R1/4 | 6 | 24 | 16 | 43,5 | 21 | 18,5 | 14 |



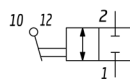
Colored Interchangeable Clips Mod. C29



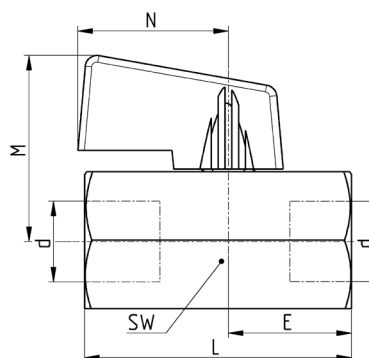
| Mod. |
|----------|
| C29-GREY |
| C29-RED |
| C29-BLUE |

Mini ball valves, ECO version - Mod. 2953

2/2 in-line, Female-Female BSPP Threads



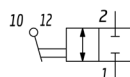
VN39



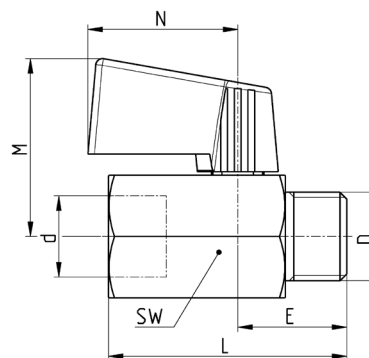
| Mod. | D | dn | E | L | M | N | SW |
|----------|------|----|----|----|----|----|----|
| 2953 1/4 | G1/4 | 8 | 18 | 39 | 27 | 22 | 20 |
| 2953 3/8 | G3/8 | 8 | 21 | 42 | 27 | 22 | 20 |
| 2953 1/2 | G1/2 | 10 | 23 | 47 | 29 | 22 | 24 |

Mini ball valves, ECO version - Mod. 2954

2/2 in-line, Male BSPP-Female BSPP Threads



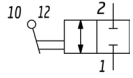
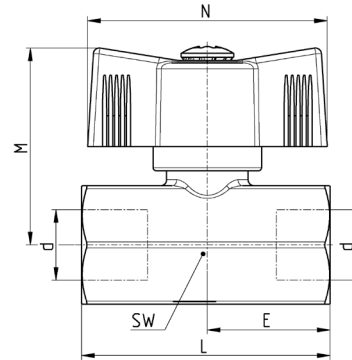
VN39



| Mod. | D | D | dn | E | L | M | N | SW |
|--------------|------|------|----|----|----|----|----|----|
| 2954 1/4-1/4 | G1/4 | G1/4 | 8 | 18 | 39 | 27 | 22 | 20 |
| 2954 3/8-3/8 | G3/8 | G3/8 | 8 | 19 | 40 | 27 | 22 | 20 |
| 2954 1/2-1/2 | G1/2 | G1/2 | 10 | 21 | 45 | 29 | 22 | 24 |

Mini ball valves, Butterfly version - Mod. 2963

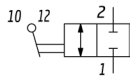
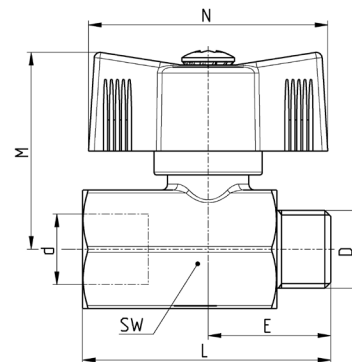
2/2 in-line, Female-Female BSPP Threads


VN39


| Mod. | D | dn | E | L | M | N | SW |
|----------|------|----|----|------|------|----|----|
| 2963 1/4 | G1/4 | 8 | 21 | 41,5 | 33 | 40 | 20 |
| 2963 3/8 | G3/8 | 8 | 21 | 41,5 | 33 | 40 | 20 |
| 2963 1/2 | G1/2 | 10 | 24 | 47 | 34,5 | 40 | 24 |

Mini ball valves, Butterfly version - Mod. 2964

2/2 in-line, Male BSPP-Female BSPP Threads

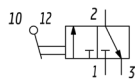
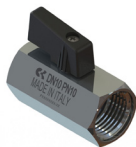

VN39


| Mod. | D | D | dn | E | L | M | N | SW |
|--------------|------|------|----|------|------|------|----|----|
| 2964 1/4-1/4 | G1/4 | G1/4 | 8 | 20,5 | 41,5 | 33 | 40 | 20 |
| 2964 3/8-3/8 | G3/8 | G3/8 | 8 | 20,5 | 41,5 | 33 | 40 | 20 |
| 2964 1/2-1/2 | G1/2 | G1/2 | 10 | 21 | 45 | 34,5 | 40 | 24 |

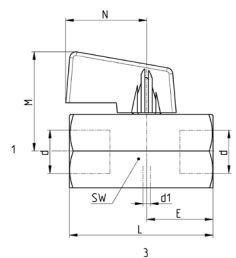
MINI BALL VALVES FOR PNEUMATICS AND INDUSTRIAL FLUIDS
SERIES 29 - DIMENSIONS

Mini ball valves, 3/2-way version - Mod. 2973

3/2 in-line, Female BSPP-Female BSPP
 Threads



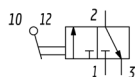
VN40



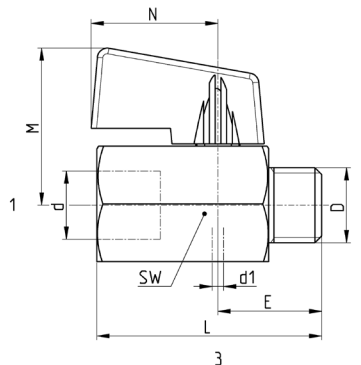
| Mod. | D | dn | D1 | E | L | M | N | SW |
|----------|------|----|----|----|----|----|----|----|
| 2973 1/4 | G1/4 | 8 | 2 | 18 | 39 | 27 | 22 | 20 |
| 2973 3/8 | G3/8 | 8 | 2 | 21 | 42 | 27 | 22 | 20 |
| 2973 1/2 | G1/2 | 10 | 2 | 23 | 47 | 29 | 22 | 24 |

Mini ball valves, 3/2-way version - Mod. 2974

3/2 in-line, Male BSPP-Female BSPP
 Threads



VN40



| Mod. | D | D | dn | D1 | E | L | M | N | SW |
|--------------|------|------|----|----|----|----|----|----|----|
| 2974 1/4-1/4 | G1/4 | G1/4 | 8 | 2 | 18 | 39 | 27 | 22 | 20 |
| 2974 3/8-3/8 | G3/8 | G3/8 | 8 | 2 | 19 | 40 | 27 | 22 | 20 |
| 2974 1/2-1/2 | G1/2 | G1/2 | 10 | 2 | 21 | 45 | 29 | 22 | 24 |