

# MECHANICALLY OPERATED VALVES

## SERIES 1 AND 3

Series 1: 3/2-way and 5/2-way, ports G1/8 and G1/4

Series 3: 3/2-way and 5/2-way, ports G1/8



These mechanically operated valves have been designed with three different types of actuation:

- plunger
- lever/roller
- unidirectional lever/roller

In each case, return is triggered by a mechanical spring.

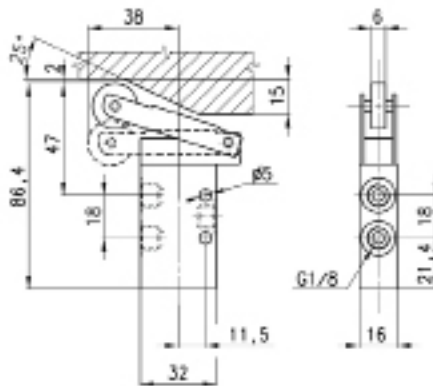
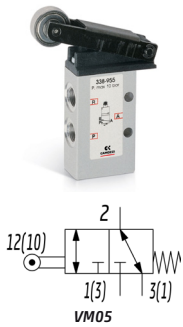
3/2-way monostable valves Series 3 are normally closed in the rest position when pressure is supplied in 1 and are normally open when pressure is supplied on connection 3, the user port 2 remaining unchanged.

5/2-way valves Series 3 can be supplied via the ports 3 and 5 with two different pressures if a cylinder has to be operated using a delivery pressure which is different from the return pressure.

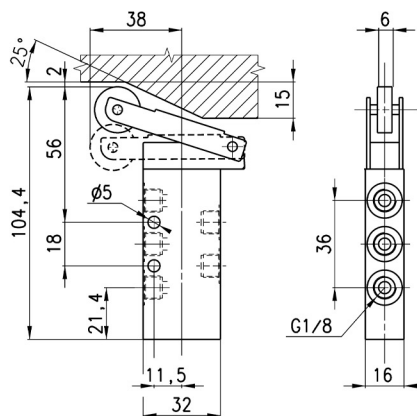
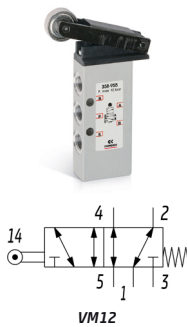
### General Data

<b>Construction</b>	Spool-type (Series 3), poppet-type (Series 1)
<b>Valve group</b>	3/2, 5/2 way/pos.
<b>Materials</b>	Aluminium body, brass poppet, stainless steel spool, NBR seals
<b>Ports</b>	G1/8, G1/4
<b>Environmental temperature</b>	0°C ÷ 60°C
<b>Medium temperature</b>	0°C ÷ 50°C
<b>Operating pressure</b>	See models
<b>Fluid</b>	Filtered air, without lubrication. If lubricated air is used, it is recommended to use ISO VG32 oil. Once applied the lubrication should never be interrupted.

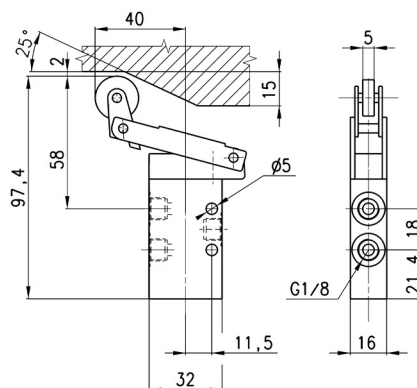
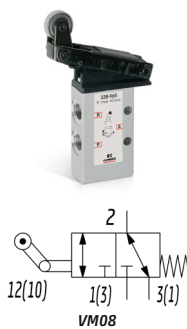


**Valve Mod. 338-955**


Mod.	Operating pressure [bar]	Flow [NL/min]	Actuating force [N]
338-955	-0,9 ÷ 10	700	15

**Valve Mod. 358-955**


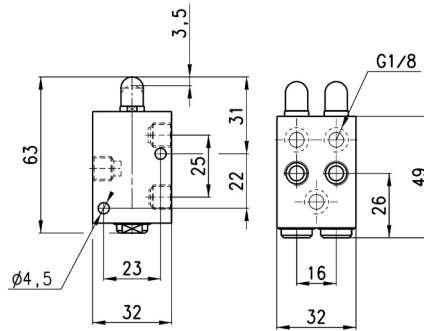
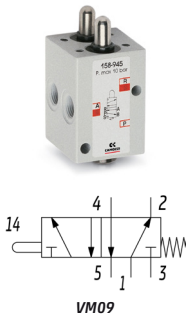
Mod.	Operating pressure [bar]	Flow [NL/min]	Actuating force [N]
358-955	-0,9 ÷ 10	700	17

**Valve Mod. 338-965**


Mod.	Operating pressure [bar]	Flow [NL/min]	Actuating force [N]
338-965	-0,9 ÷ 10	700	15

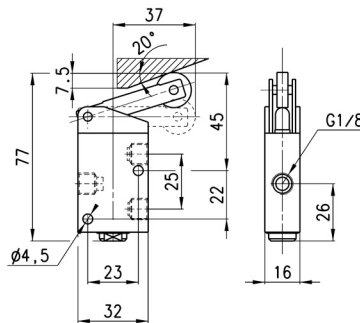
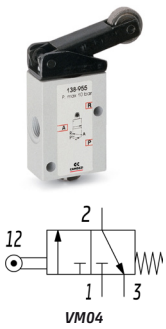


**Valve Mod. 158-945**



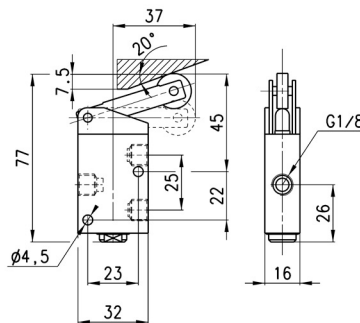
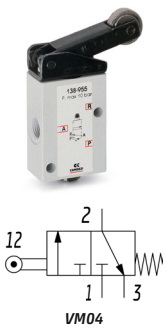
Mod.	Operating pressure [bar]	Flow rate [NL/min]	Actuating force at 6 bar [N]
158-945	0 ÷ 10	500	120

**Valve Mod. 138-955**

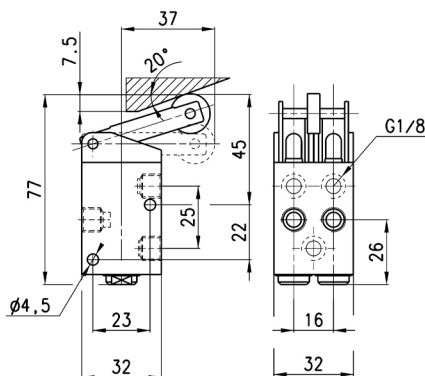
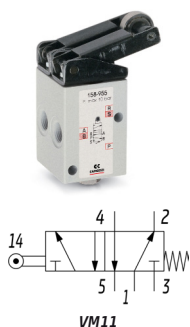


Mod.	Operating pressure [bar]	Flow rate [NL/min]	Actuating force at 6 bar [N]
138-955	0 ÷ 10	500	36

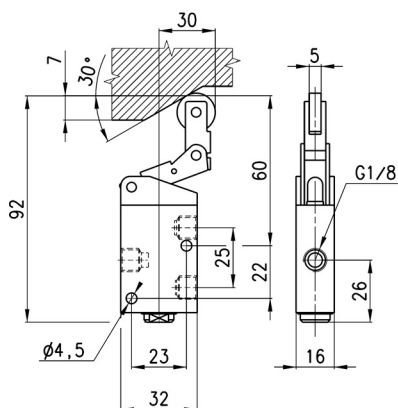
**Valve Mod. 148-955**



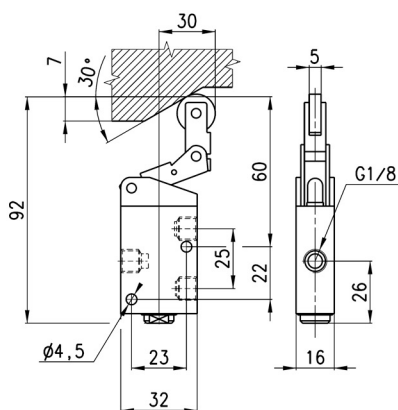
Mod.	Operating pressure [bar]	Flow rate [NL/min]	Actuating force at 6 bar [N]
148-955	0 ÷ 10	500	36

**MECHANICALLY OPERATED VALVES**  
**SERIES 1 AND 3 - DIMENSIONS**
**Valve Mod. 158-955**


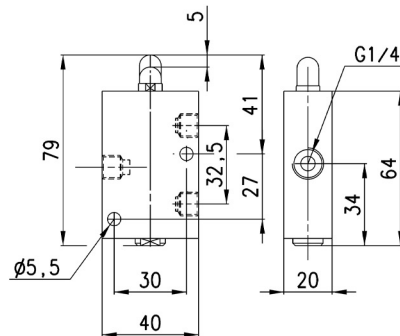
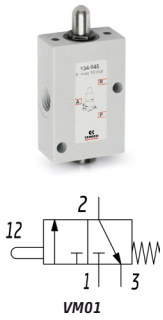
Mod.	Operating pressure [bar]	Flow rate [NL/min]	Actuating force at 6 bar [N]
158-955	0 ÷ 10	500	92

**Valve Mod. 138-965**
**6**


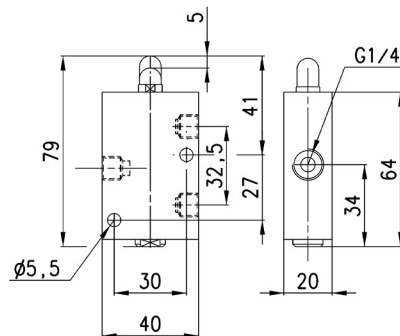
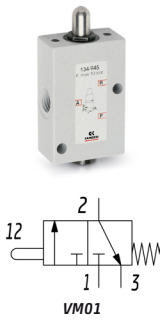
Mod.	Operating pressure [bar]	Flow rate [NL/min]	Actuating force at 6 bar [N]
138-965	0 ÷ 10	500	41

**Valve Mod. 148-965**


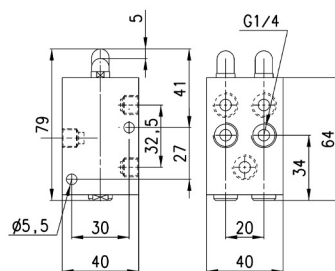
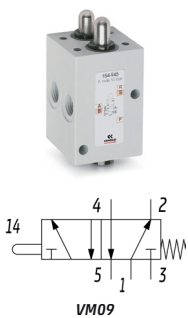
Mod.	Operating pressure [bar]	Flow rate [NL/min]	Actuating force at 6 bar [N]
148-965	0 ÷ 10	500	41

**Valve Mod. 134-945**


Mod.	Operating pressure [bar]	Flow rate [NL/min]	Actuating force at 6 bar [N]
134-945	0 ÷ 10	1250	64

**Valve Mod. 144-945**


Mod.	Operating pressure [bar]	Flow rate [NL/min]	Actuating force at 6 bar [N]
144-945	0 ÷ 10	1250	64

**Valve Mod. 154-945**


Mod.	Operating pressure [bar]	Flow rate [NL/min]	Actuating force at 6 bar [N]
154-945	0 ÷ 10	1250	147

