

flat suction pads (oval) - Series VTOF

Product code: VTOF-0300-100S-1/8M

Datasheet creation date: 19/05/2026 16:21

Check the most updated document online [click here](#)

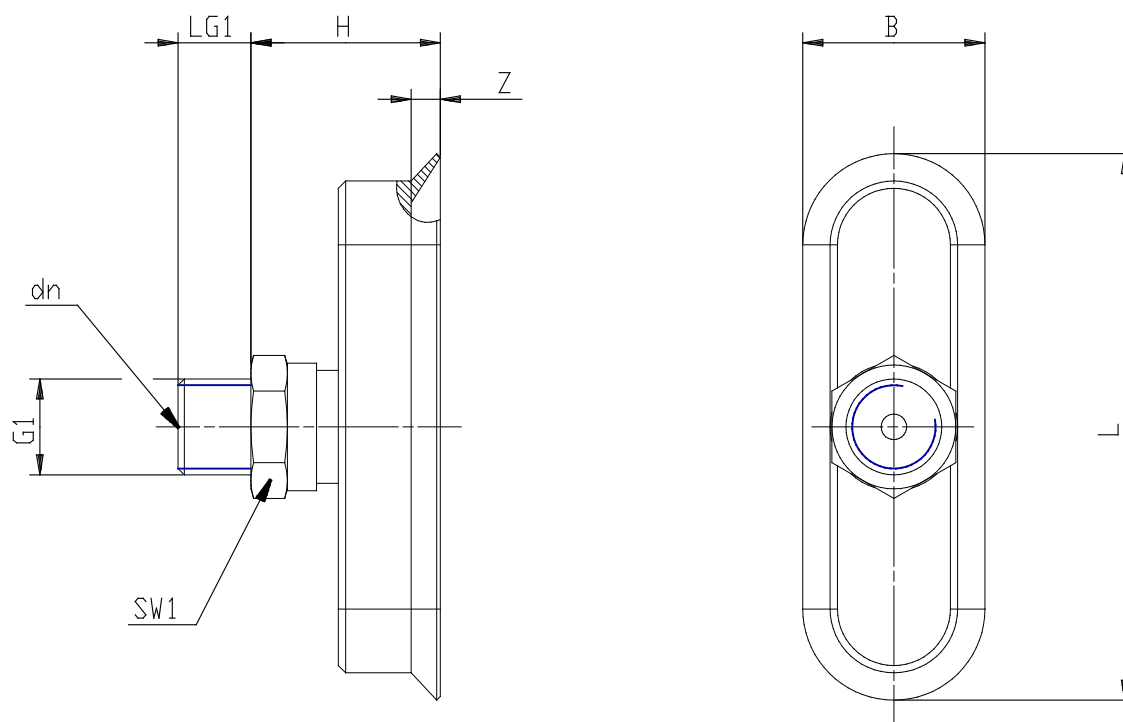


TECHNICAL DATA

Series	VTOF
Materials	S = Silicone
Thread size	G1/8
Thread type	M = male

flat suction pads (oval) - Series VTOF

Product code: VTOF-0300-100S-1/8M



DIMENSIONS

DN (mm)	3.5
G1	G1/8M
H (mm)	17
L (mm)	30
LG1 (mm)	8.0
SW1 (mm)	14
Z (mm)	1.5
Suction pad	VTOF-0300-100*
Nipple	NPV-P-1/8-M