

## flat suction pads (oval) - Series VTOF

Product code: VTOF-0300-100N-1/8F

Datasheet creation date: 19/05/2026 16:42

Check the most updated document online [click here](#)

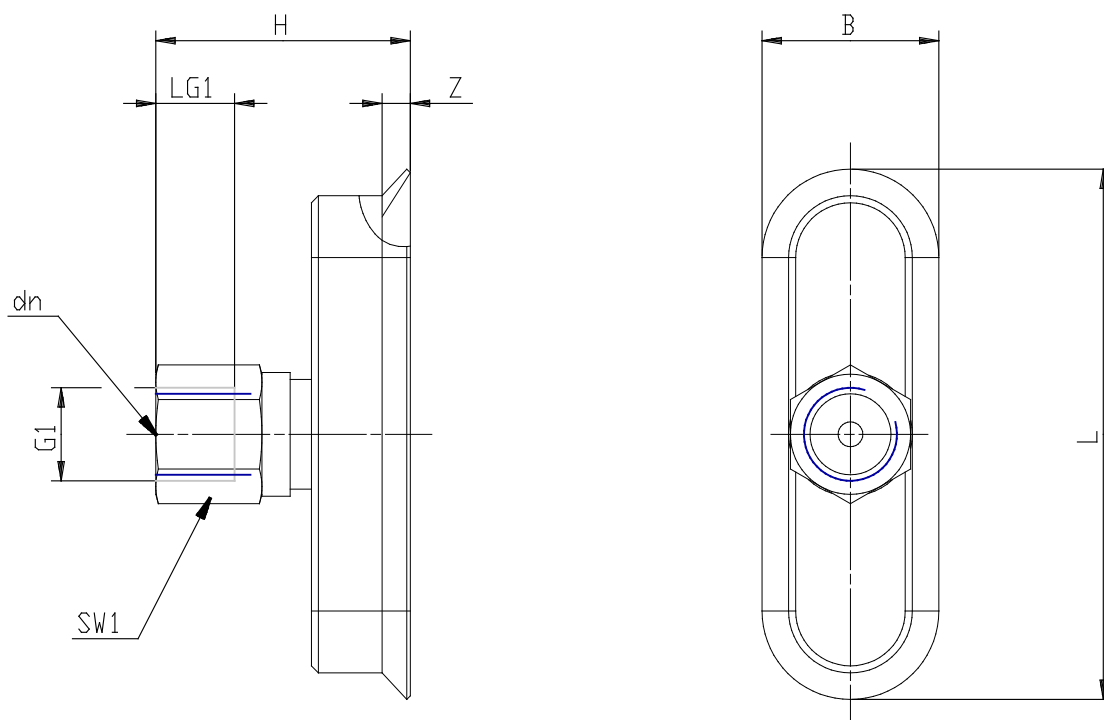


### TECHNICAL DATA

Series	VTOF
Materials	N = NBR
Thread size	G1/8
Thread type	F = female

## flat suction pads (oval) - Series VTOF

Product code: VTOF-0300-100N-1/8F



### DIMENSIONS

<b>DN (mm)</b>	3.5
<b>G1</b>	G1/8F
<b>H (mm)</b>	25
<b>L (mm)</b>	30
<b>LG1 (mm)</b>	9.0
<b>SW1 (mm)</b>	14
<b>Z (mm)</b>	1.5
<b>Suction pad</b>	VTOF-0300-100*
<b>Nipple</b>	NPV-P-1/8-F