

## Quick exhaust valves - Series VSC

Product code: VSC 522-1/2

Datasheet creation date: 19/05/2026 08:50

Check the most updated document online [click here](#)

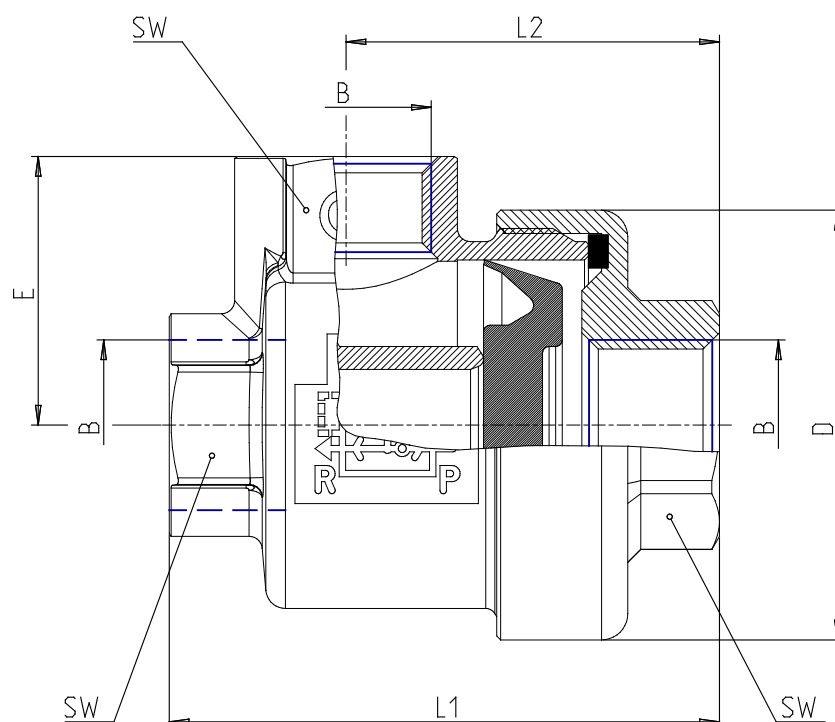


### TECHNICAL DATA

<b>Mod.</b>	VSC 522-1/2
<b>SW (mm)</b>	24
<b>Medium inlet flow rate 1 &gt; 2 at 6 bar, <math>\Delta P</math> 1 bar] (NI/min)</b>	4700
<b>Medium inlet flow rate 2 &gt; 3 at 6 bar, <math>\Delta P</math> 1 bar] (NI/min)</b>	6250
<b>Min. operating pressure (bar) (bar)</b>	0,2

## Quick exhaust valves - Series VSC

Product code: VSC 522-1/2



### **DIMENSIONS**

<b>D (mm)</b>	43
<b>E (mm)</b>	27.0
<b>L1 (mm)</b>	57.5
<b>L2 (mm)</b>	39.5