

## Bidirectional blocking valve - Mod. VBO

Product code: VBO 1/2

Datasheet creation date: 19/05/2026 17:11

Check the most updated document online [click here](#)

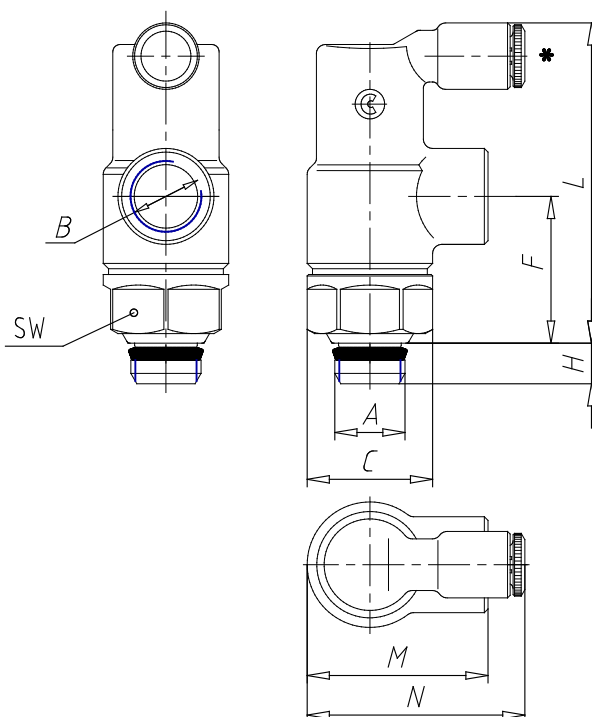


### TECHNICAL DATA

Mod.	VBO 1/2
------	---------

## Bidirectional blocking valve - Mod. VBO

Product code: VBO 1/2



### DIMENSIONS

<b>A</b>	1/2
<b>B</b>	1/2
<b>C (mm)</b>	36.0
<b>F (mm)</b>	45.5
<b>H (mm)</b>	9.0
<b>L (mm)</b>	85.7
<b>M (mm)</b>	52.0
<b>N (mm)</b>	48.0
<b>SW (mm)</b>	27