

Solenoids for solenoid valves - Mod. U70/G70

Product code: U7K

Datasheet creation date: 19/05/2026 09:02

Check the most updated document online [click here](#)

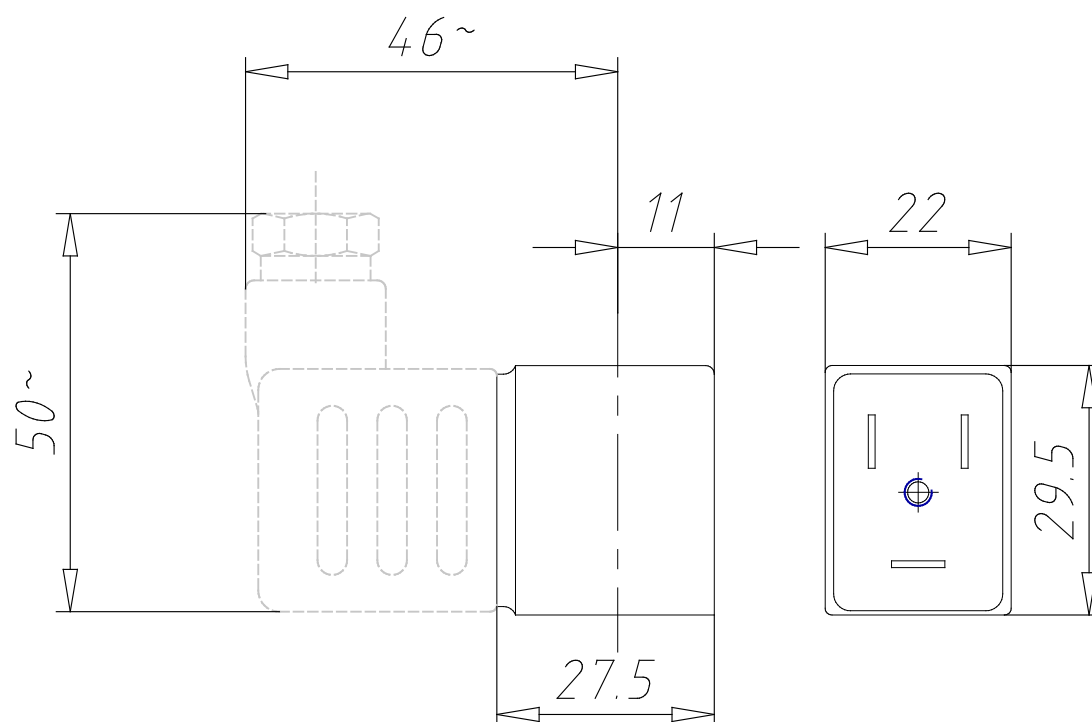


TECHNICAL DATA

Mod.	U7K
Voltage (V)	110
Frequency (Hz)	AC 50 / 60
Power absorption (W)	4.3 VA

Solenoids for solenoid valves - Mod. U70/G70

Product code: U7K



DIMENSIONS

Mod.	U7K
Voltage (V)	110
Frequency (Hz)	AC 50 / 60
Power absorption (W)	4.3 VA