

## Solenoids for solenoid valves - Mod. U70/G70

Product code: U7H

Datasheet creation date: 19/05/2026 08:45

Check the most updated document online [click here](#)

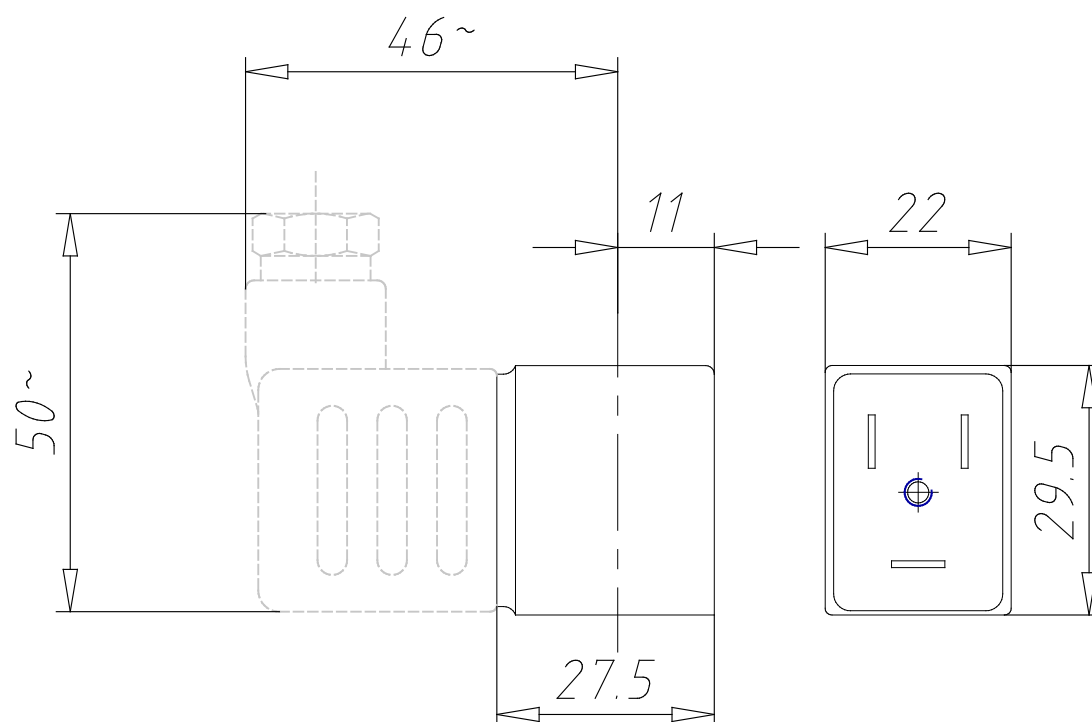


### TECHNICAL DATA

<b>Mod.</b>	U7H
<b>Voltage (V)</b>	24
<b>Frequency (Hz)</b>	50 / 60
<b>Power absorption (W)</b>	3.5 VA

## Solenoids for solenoid valves - Mod. U70/G70

Product code: U7H



### DIMENSIONS

<b>Mod.</b>	U7H
<b>Voltage (V)</b>	24
<b>Frequency (Hz)</b>	50 / 60
<b>Power absorption (W)</b>	3.5 VA