

Solenoids for solenoid valves - Mod. U70/G70

Product code: U7F

Datasheet creation date: 19/05/2026 18:23

Check the most updated document online [click here](#)

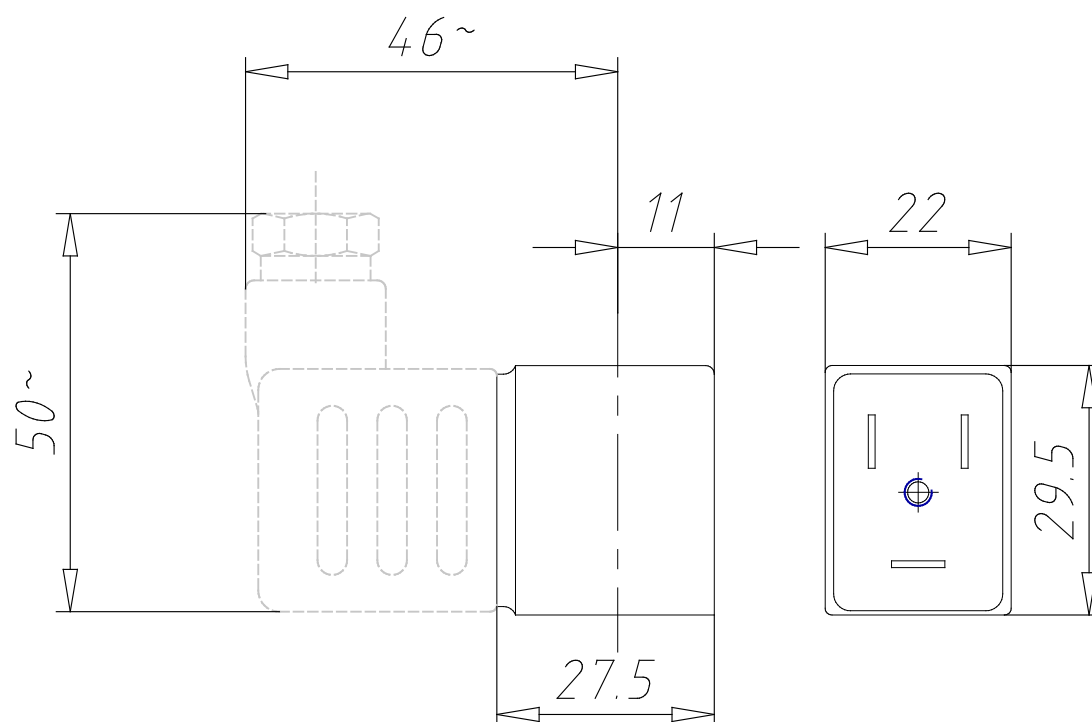


TECHNICAL DATA

Mod.	U7F
Voltage (V)	380
Frequency (Hz)	50 / 60
Power absorption (W)	7 VA

Solenoids for solenoid valves - Mod. U70/G70

Product code: U7F



DIMENSIONS

Mod.	U7F
Voltage (V)	380
Frequency (Hz)	50 / 60
Power absorption (W)	7 VA