

Solenoids for solenoid valves - Mod. U70/G70

Product code: U77

Datasheet creation date: 19/05/2026 08:45

Check the most updated document online [click here](#)

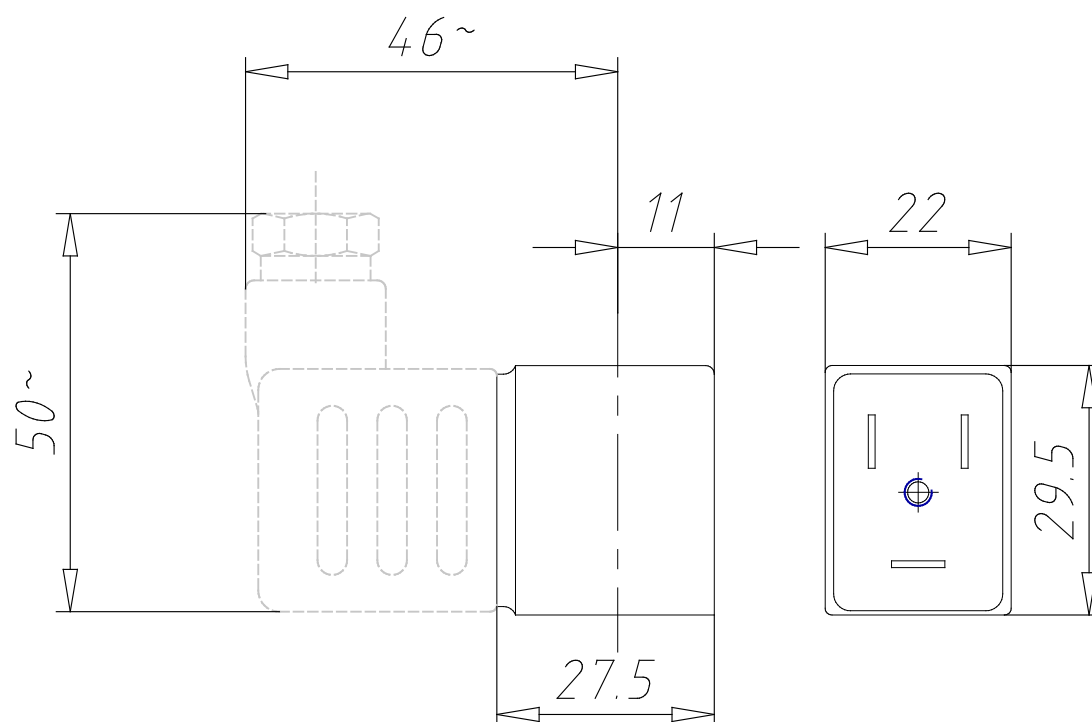


TECHNICAL DATA

Mod.	U77
Voltage (V)	24
Frequency (Hz)	DC
Power absorption (W)	3.1 W

Solenoids for solenoid valves - Mod. U70/G70

Product code: U77



DIMENSIONS

Mod.	U77
Voltage (V)	24
Frequency (Hz)	DC
Power absorption (W)	3.1 W