

Solenoids for solenoid valves - Mod. U70/G70

Product code: U72

Datasheet creation date: 19/05/2026 08:46

Check the most updated document online [click here](#)

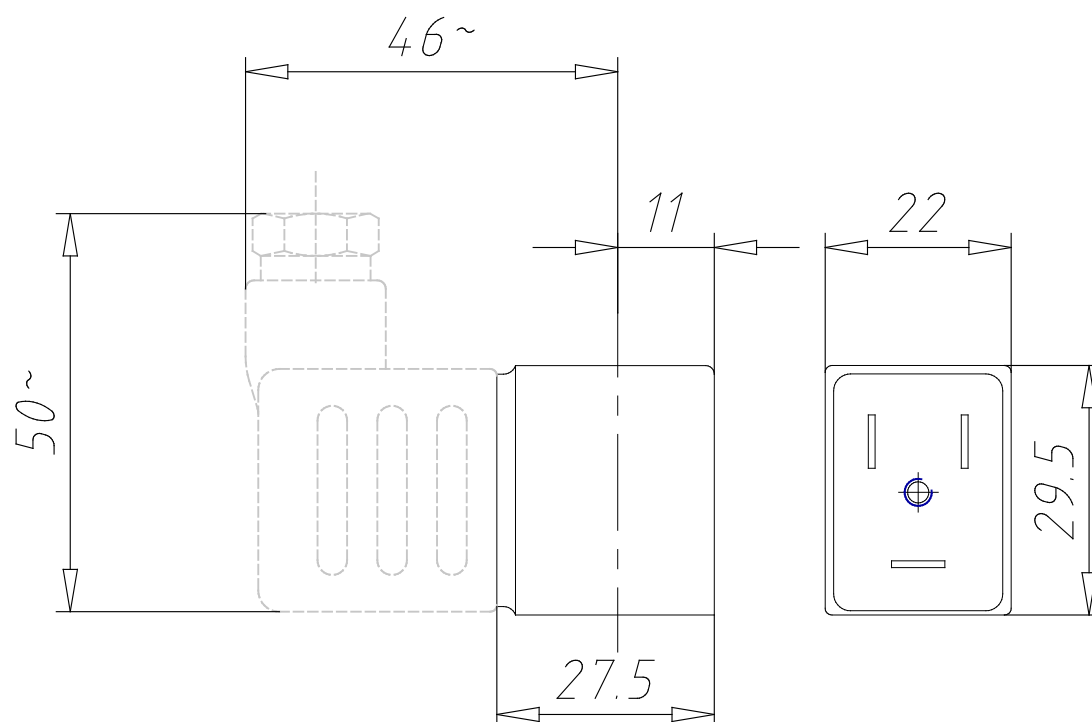


TECHNICAL DATA

Mod.	U72
Voltage (V)	12
Frequency (Hz)	DC
Power absorption (W)	5

Solenoids for solenoid valves - Mod. U70/G70

Product code: U72



DIMENSIONS

Mod.	U72
Voltage (V)	12
Frequency (Hz)	DC
Power absorption (W)	5