

## Pressure microregulators - Series T

Product code: T104-R10

Datasheet creation date: 19/05/2026 17:27

Check the most updated document online [click here](#)

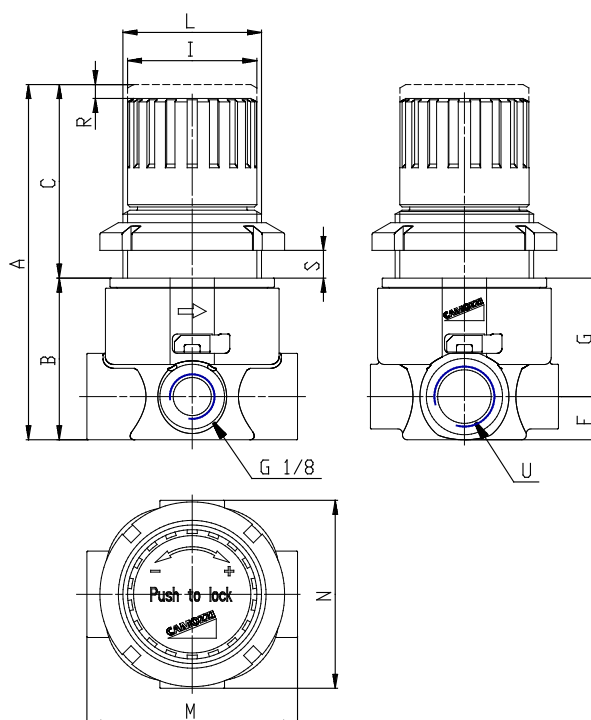


### ■ TECHNICAL DATA

Mod.	T104-R10
U	G1/4

## Pressure microregulators - Series T

Product code: T104-R10



### DIMENSIONS

<b>A (mm)</b>	77
<b>B (mm)</b>	35
<b>C (mm)</b>	42
<b>F (mm)</b>	9.5
<b>G (mm)</b>	25.5
<b>I (mm)</b>	28
<b>L</b>	M30x1.5
<b>M (mm)</b>	46
<b>N (mm)</b>	41
<b>R (mm)</b>	3