

Bracket with threaded pins - Mod. T

Product code: T-27-63

Datasheet creation date: 19/05/2026 08:54

Check the most updated document online [click here](#)

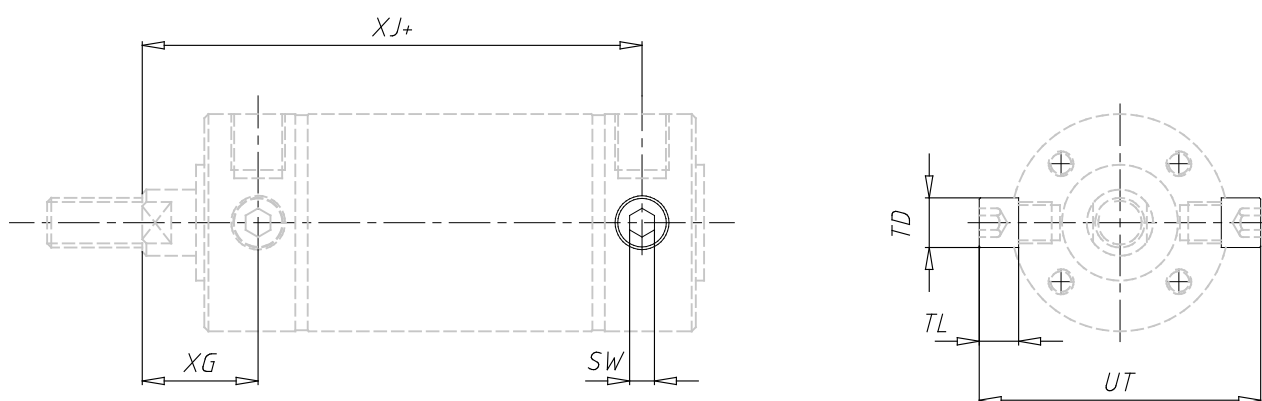


TECHNICAL DATA

Mod.	T-27-63
------	---------

Bracket with threaded pins - Mod. T

Product code: T-27-63



DIMENSIONS

SW (mm)	6
Ø TD h9 (mm)	14
TL (mm)	11.0
UT (mm)	84
XG (mm)	26
XJ (mm)	86