

## Circuit selector - Series SCS

Product code: SCS-668-06

Datasheet creation date: 19/05/2026 08:50

Check the most updated document online [click here](#)

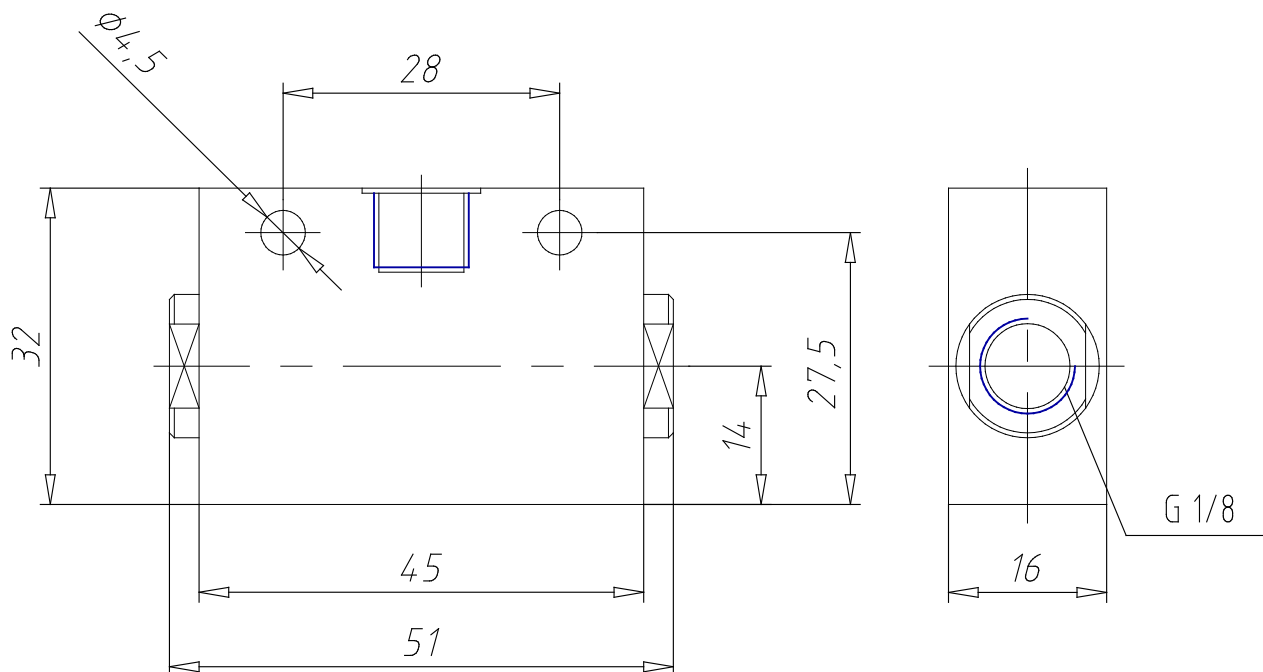


### TECHNICAL DATA

Mod.	SCS-668-06
------	------------

## Circuit selector - Series SCS

Product code: SCS-668-06



### DIMENSIONS

Mod.	SCS-668-06
------	------------