

## Mod. S2510 - Sprint fittings Serie S2000

Product code: S2510 1/4-3/8

Datasheet creation date: 19/05/2026 18:20

Check the most updated document online [click here](#)

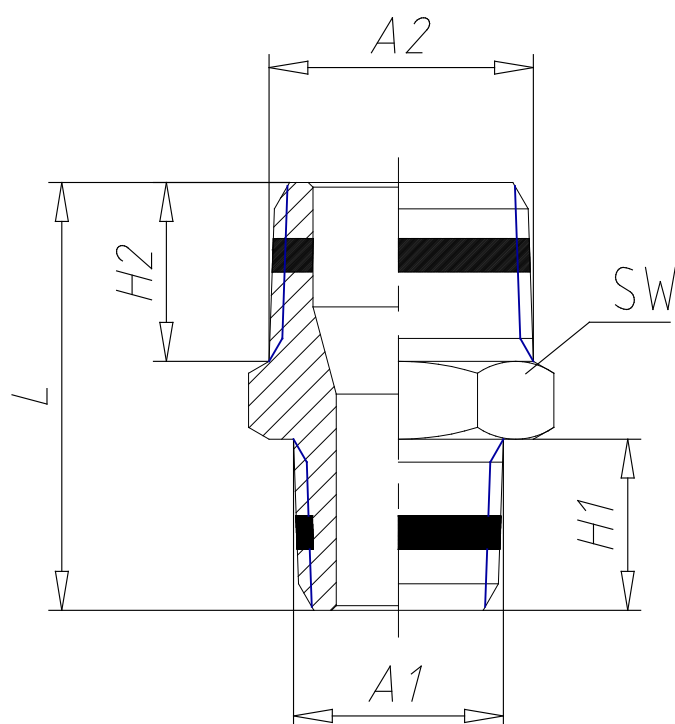


### TECHNICAL DATA

Mod.	S2510 1/4-3/8
------	---------------

## Mod. S2510 - Sprint fittings Serie S2000

Product code: S2510 1/4-3/8



### DIMENSIONS

<b>A1</b>	R1/4
<b>A2</b>	R3/8
<b>H1 (mm)</b>	11.0
<b>H2 (mm)</b>	11.5
<b>L (mm)</b>	27.5
<b>SW (mm)</b>	17