

## Short stroke magnetic cylinders - Series QP-QPR

Product code: QP1A032A025

Datasheet creation date: 19/05/2026 09:40

Check the most updated document online [click here](#)

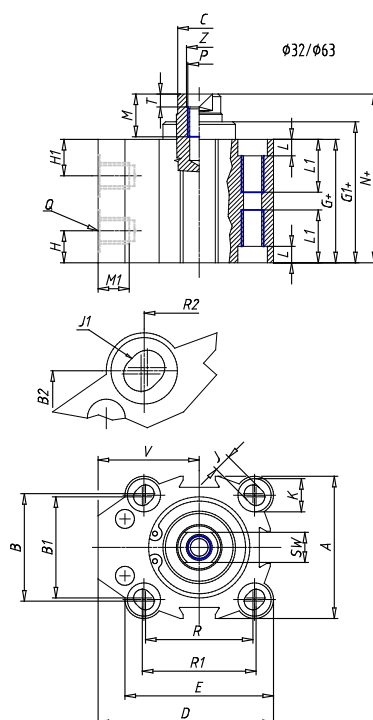


### TECHNICAL DATA

|                       |                            |
|-----------------------|----------------------------|
| <b>Series</b>         | QP = standard              |
| <b>Operation</b>      | 1=single-acting            |
| <b>Materials</b>      | A = rolled stainless steel |
| <b>Diameter (mm)</b>  | 32                         |
| <b>Construction</b>   | A = standard               |
| <b>Stroke (mm)</b>    | 25                         |
| <b>Seal options</b>   | -                          |
| <b>Certifications</b> | = standard                 |

## Short stroke magnetic cylinders - Series QP-QPR

Product code: QP1A032A025



### DIMENSIONS

|               |       |
|---------------|-------|
| A (mm)        | 45.0  |
| B (mm)        | 34.0  |
| B1 (mm)       | 32    |
| B2 (mm)       | 33    |
| $\phi$ C (mm) | 12    |
| D (mm)        | 55.50 |
| E (mm)        | 47.00 |
| G (mm)        | 39.5  |
| G1 (mm)       | 40    |
| H1 (mm)       | 9.5   |
| H (mm)        | 9.5   |
| J (mm)        | 5.5   |
| J1            | M8    |
| K (mm)        | 10.5  |
| L (mm)        | 6.0   |
| L1 (mm)       | 21.0  |
| M (mm)        | 10.0  |
| M1 (mm)       | 7.5   |
| N (mm)        | 44.0  |
| N1 (mm)       | -     |
| $\phi$ O (mm) | 23.5  |
| P             | M6    |
| Q             | G1/8  |

|                |       |
|----------------|-------|
| R (mm)         | 34.0  |
| R1 (mm)        | 36.00 |
| R2 (mm)        | 35    |
| SW (mm)        | 10    |
| T (mm)         | 2.5   |
| U (mm)         | -     |
| V (mm)         | 32.00 |
| AA (mm)        | 10    |
| BB (mm)        | 6.0   |
| $\phi$ CC (mm) | 9.0   |
| $\phi$ DD (mm) | 5.5   |
| EE (mm)        | 9.0   |
| FF             | M5    |
| LL (mm)        | 32.0  |
| MM (mm)        | 47.0  |
| NN (mm)        | 45    |
| RR (mm)        | 36.0  |
| VV (mm)        | -     |
| Z (mm)         | 7.0   |