

## Series QN - Short-stroke cylinders

Product code: QN1A12A10

Datasheet creation date: 19/05/2026 08:34

Check the most updated document online [click here](#)

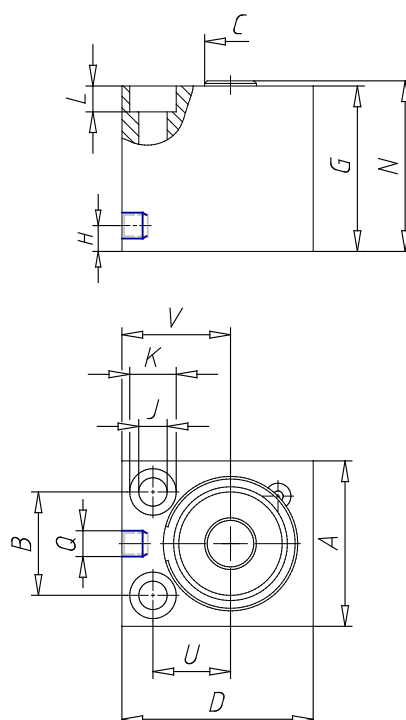


### TECHNICAL DATA

<b>SERIE (Series)</b>	QN
<b>FUNZIONE (Operation)</b>	1 = single acting
<b>MATERIALI (Materials)</b>	A = rolled stainless steel rod - aluminium body
<b>PHY (Diameter / mm)</b>	12
<b>TIPOCOSTRUT (Construction)</b>	A = standard
<b>HUB (Stroke / mm)</b>	10
<b>CERTIFICAZIONI (Certifications)</b>	= standard

## Series QN - Short-stroke cylinders

Product code: QN1A12A10



### DIMENSIONS

A (mm)	20
B (mm)	13
Ø C (mm)	5
D (mm)	25
E (mm)	25.0
F (mm)	-
G (mm)	26.0
H (mm)	5.0
Ø J (mm)	3.2
Ø K (mm)	5.8
L (mm)	3.0
M (mm)	-
N (mm)	30.0
P	-
Q	M5
R (mm)	-
SW (mm)	-
T (mm)	-
U (mm)	9
V (mm)	16.0
Z (mm)	-