

Series QN - Short-stroke cylinders

Product code: QN1A12A04

Datasheet creation date: 19/05/2026 08:56

Check the most updated document online [click here](#)

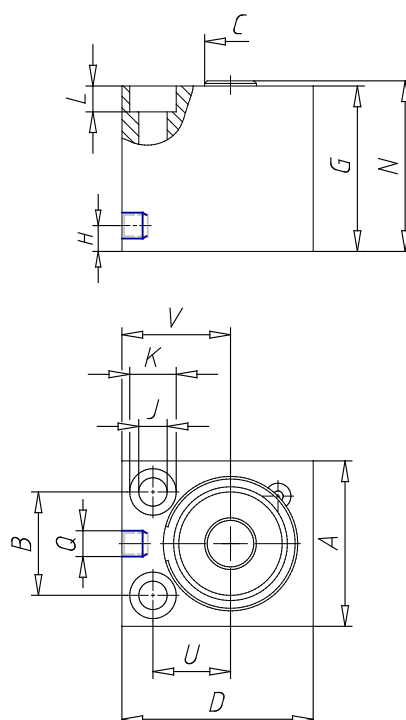


TECHNICAL DATA

SERIE (Series)	QN
FUNZIONE (Operation)	1 = single acting
MATERIALI (Materials)	A = rolled stainless steel rod - aluminium body
PHY (Diameter / mm)	12
TIPOCOSTRUT (Construction)	A = standard
HUB (Stroke / mm)	4
CERTIFICAZIONI (Certifications)	= standard

Series QN - Short-stroke cylinders

Product code: QN1A12A04



DIMENSIONS

A (mm)	20
B (mm)	13
Ø C (mm)	5
D (mm)	25
E (mm)	25.0
F (mm)	-
G (mm)	16.0
H (mm)	5.0
Ø J (mm)	3.2
Ø K (mm)	5.8
L (mm)	3.0
M (mm)	-
N (mm)	17.0
P	-
Q	M5
R (mm)	-
SW (mm)	-
T (mm)	-
U (mm)	9
V (mm)	16.0
Z (mm)	-