

## Rapid clamp kit with wall fixing brackets - Series MX

Product code: MX3-Y

Datasheet creation date: 19/05/2026 09:01

Check the most updated document online [click here](#)

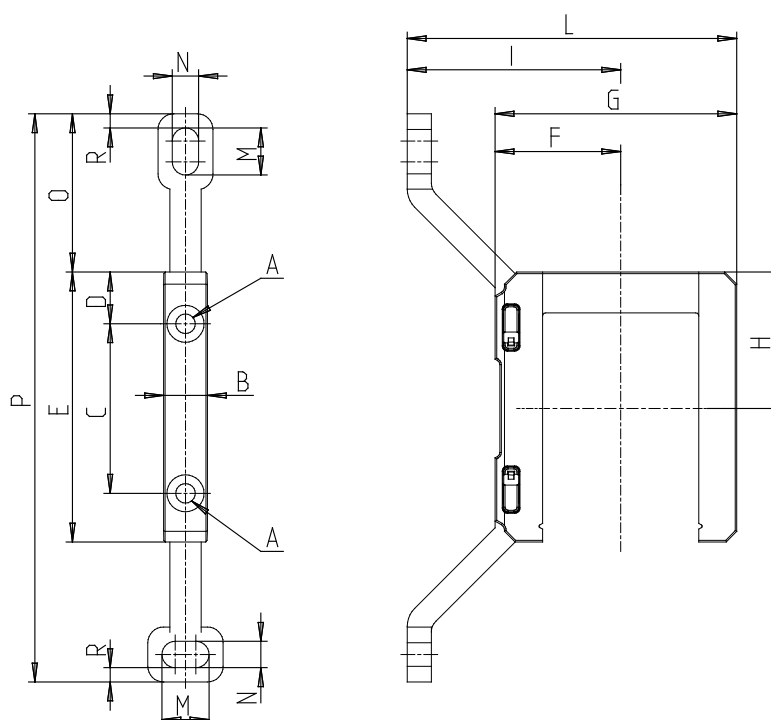


### TECHNICAL DATA

Mod.	MX3-Y
------	-------

## Rapid clamp kit with wall fixing brackets - Series MX

Product code: MX3-Y



### DIMENSIONS

A (mm)	6.2
B (mm)	14
C (mm)	54
D (mm)	16.5
E (mm)	86.0
F (mm)	40.0
G (mm)	77.0
H (mm)	43.5
I (mm)	68.0
L (mm)	105
M (mm)	15.0
N (mm)	8.4
O (mm)	50.5
P (mm)	181
R (mm)	4.5