

Isolation 3/2-way valves - Series MX

Product code: MX3-3/4-V01

Datasheet creation date: 19/05/2026 17:41

Check the most updated document online [click here](#)

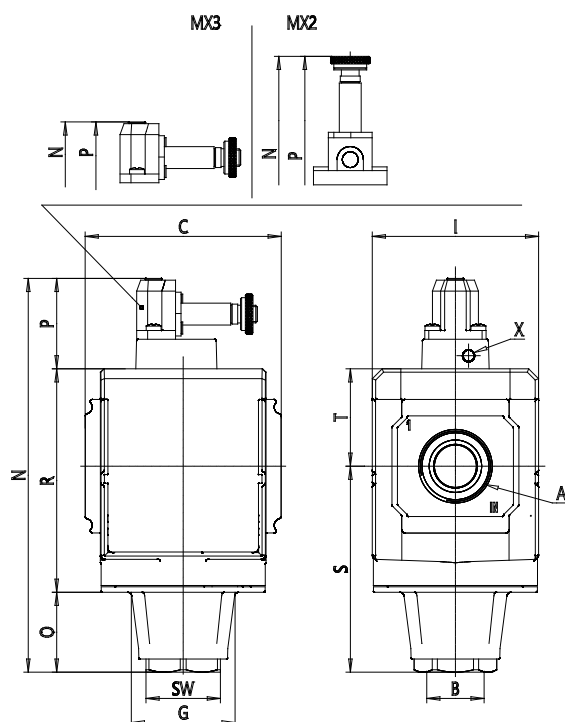


TECHNICAL DATA

Series	MX
Size	3
Ports (IN - OUT)	3/4 = G3/4
3/2-way valve	V
Design type	01 = lockable manual control
Flow direction	= from left to right (standard)

Isolation 3/2-way valves - Series MX

Product code: MX3-3/4-V01



DIMENSIONS

	G3/4
(mm)	G 3/4
(mm)	89.5
(mm)	32
(mm)	48.0
(mm)	76
(mm)	8
(mm)	14.5
(mm)	205.5
(mm)	37
(mm)	66.5
(mm)	40
(mm)	102
(mm)	94.5
(mm)	34
(mm)	44.5
	-
Y (piloting)	-
Weight (kg)	0.9