

## Valves - Series MVU

Product code: MVU 710-1/2

Datasheet creation date: 19/05/2026 17:10

Check the most updated document online [click here](#)

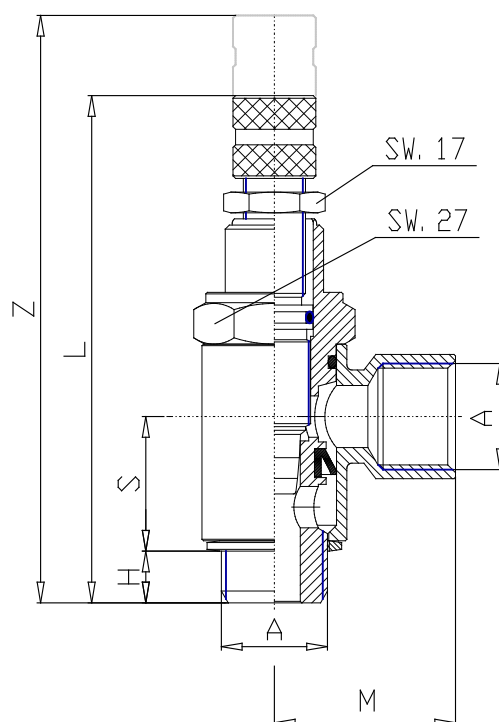


### TECHNICAL DATA

Mod.	MVU 710-1/2
------	-------------

## Valves - Series MVU

Product code: MVU 710-1/2



### DIMENSIONS

<b>A</b>	1/2
<b>H (mm)</b>	10.0
<b>L (mm)</b>	98.0
<b>S (mm)</b>	26.0
<b>SW (mm)</b>	27
<b>SW1 (mm)</b>	17.0
<b>Z (mm)</b>	113.5
<b>M (mm)</b>	35