

Valves - Series MCU

Product code: MCU 702-M5

Datasheet creation date: 19/05/2026 08:50

Check the most updated document online [click here](#)

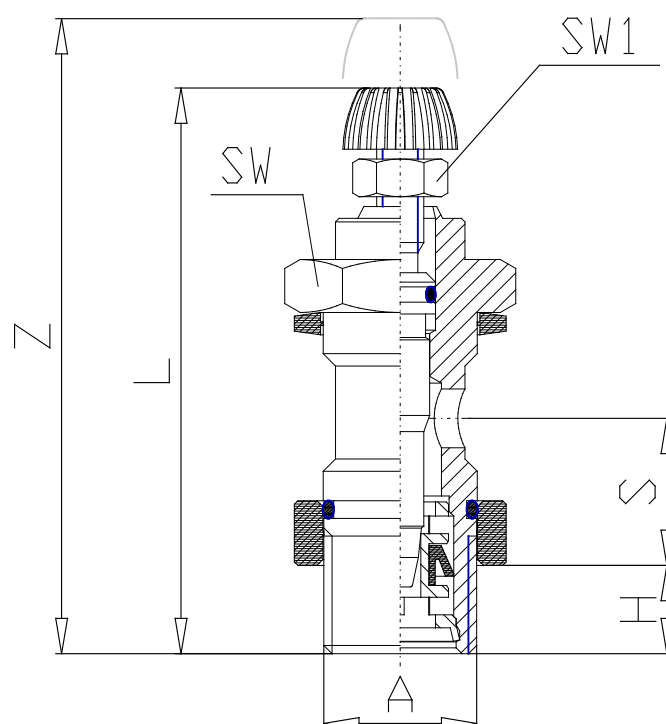


TECHNICAL DATA

Mod.	MCU 702-M5
------	------------

Valves - Series MCU

Product code: MCU 702-M5



DIMENSIONS

A	M5
H (mm)	3.5
L (mm)	31.0
S (mm)	5.5
SW (mm)	8
SW1 (mm)	5.5
Z (mm)	35.0