

Valves - Series MCO

Product code: MCO 706-1/4

Datasheet creation date: 19/05/2026 17:12

Check the most updated document online [click here](#)

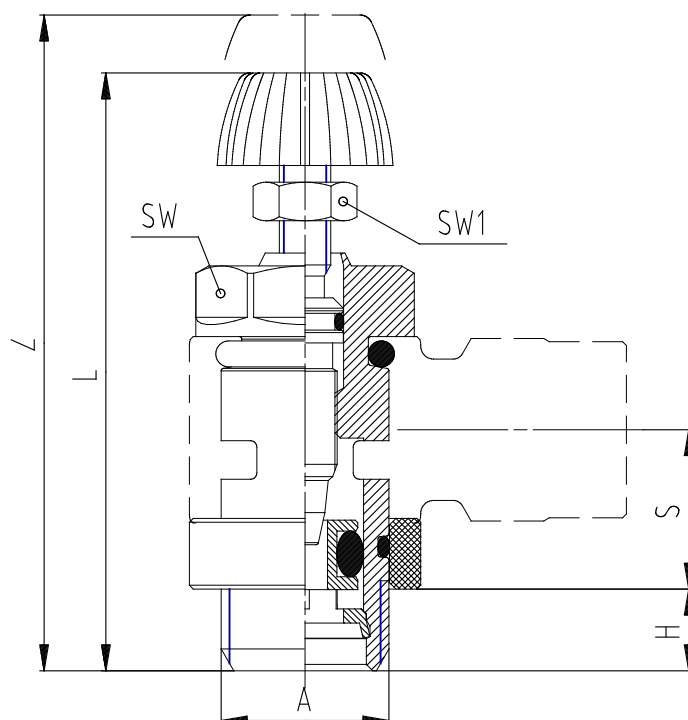


TECHNICAL DATA

Mod.	MCO 706-1/4
------	-------------

Valves - Series MCO

Product code: MCO 706-1/4



DIMENSIONS

A	1/4
H (mm)	6.0
L (mm)	43.5
S (mm)	12.5
SW (mm)	15
SW1 (mm)	7.0
Z (mm)	49.0
M (mm)	-