

## Isolation valve 3/2 electric/pneumatic MC - Serie MC

Product code: MC238-V36

Datasheet creation date: 19/05/2026 17:28

Check the most updated document online [click here](#)

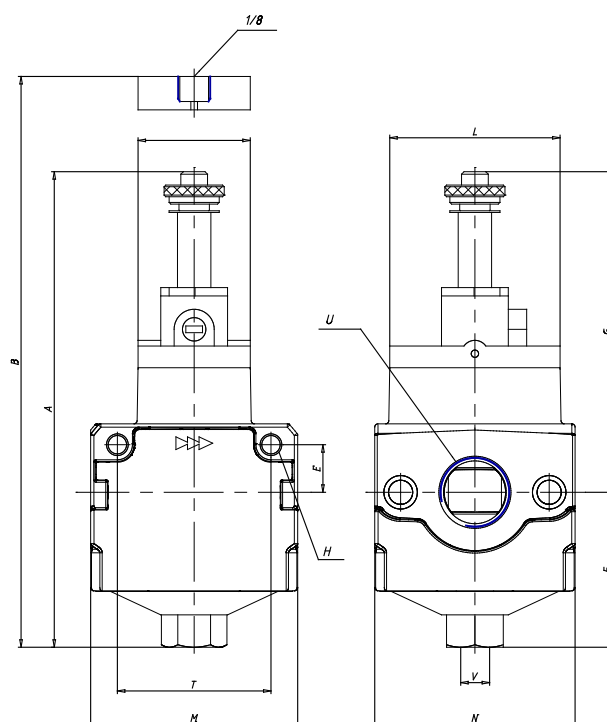


### TECHNICAL DATA

|      |           |
|------|-----------|
| Mod. | MC238-V36 |
| U    | G3/8      |

## Isolation valve 3/2 electric/pneumatic MC - Serie MC

Product code: MC238-V36



### DIMENSIONS

|               |      |
|---------------|------|
| <b>A (mm)</b> | -    |
| <b>B (mm)</b> | 93.5 |
| <b>E (mm)</b> | 14   |
| <b>F (mm)</b> | 46.5 |
| <b>G (mm)</b> | -    |
| <b>H (mm)</b> | 5.5  |
| <b>I (mm)</b> | 33.5 |
| <b>L (mm)</b> | 51   |
| <b>M (mm)</b> | 62   |
| <b>N (mm)</b> | 60   |
| <b>T (mm)</b> | 46   |
| <b>V</b>      | G1/4 |