

Isolation valve 3/2 electric/pneumatic MC - Serie MC

Product code: MC202-V16

Datasheet creation date: 19/05/2026 09:00

Check the most updated document online [click here](#)

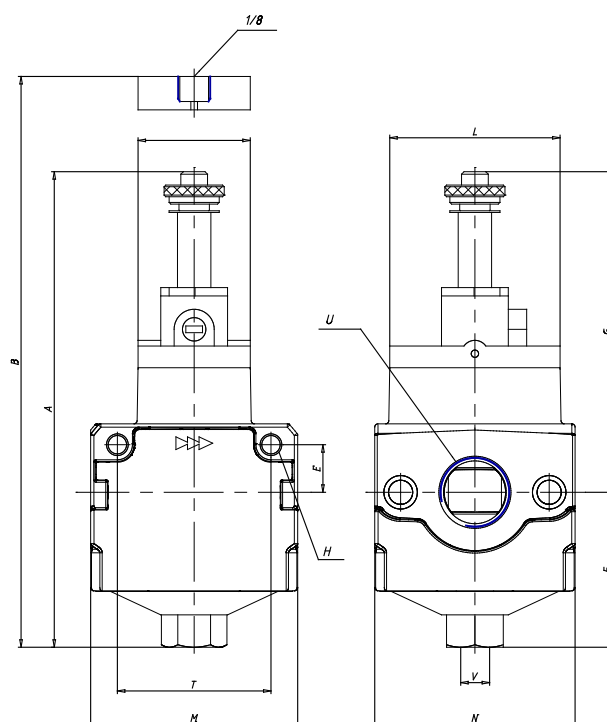


TECHNICAL DATA

| | |
|------|-----------|
| Mod. | MC202-V16 |
| U | G1/2 |

Isolation valve 3/2 electric/pneumatic MC - Serie MC

Product code: MC202-V16



DIMENSIONS

| | |
|---------------|-------|
| A (mm) | 142.5 |
| B (mm) | - |
| E (mm) | 14 |
| F (mm) | 46.5 |
| G (mm) | 96 |
| H (mm) | 5.5 |
| I (mm) | 33.5 |
| L (mm) | 51 |
| M (mm) | 62 |
| N (mm) | 60 |
| T (mm) | 46 |
| V | G1/4 |