

## Take off block - Series MC

Product code: MC2-B

Datasheet creation date: 20/05/2026 03:59

Check the most updated document online [click here](#)

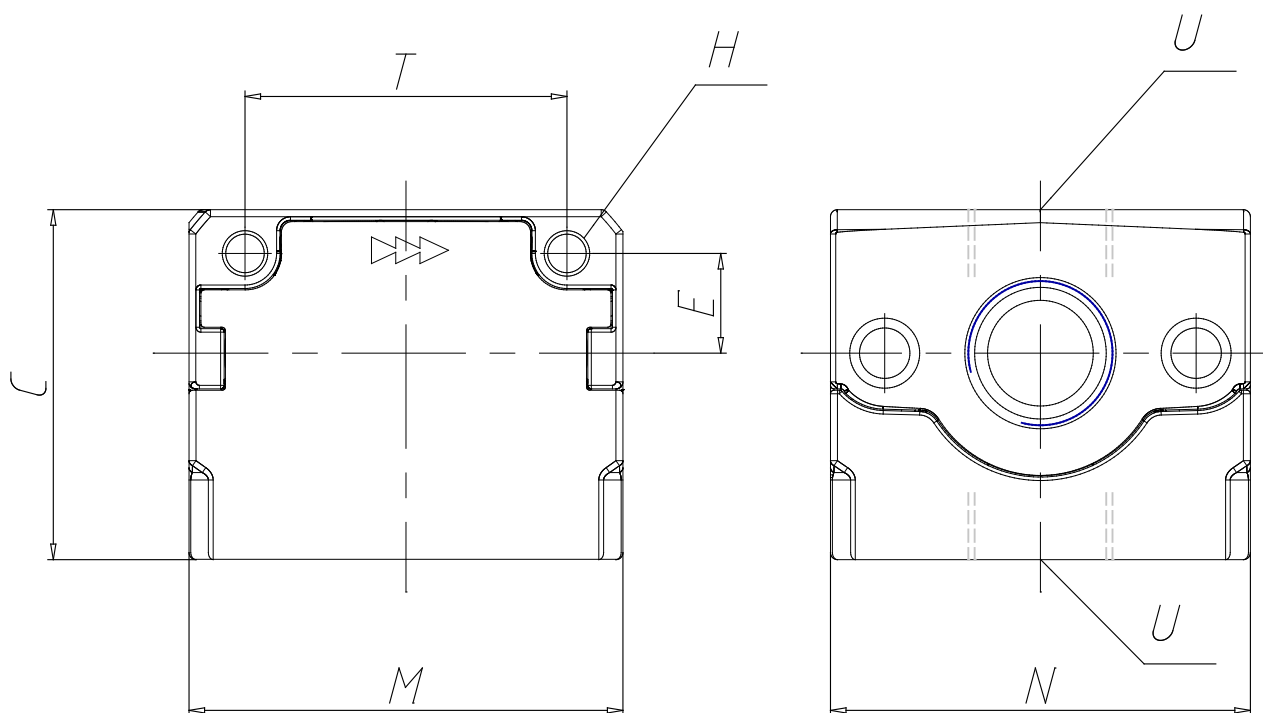


### TECHNICAL DATA

Mod.	MC2-B
U	1/2

## Take off block - Series MC

Product code: MC2-B



### DIMENSIONS

<b>C (mm)</b>	50
<b>H (mm)</b>	5.5
<b>E (mm)</b>	14
<b>M (mm)</b>	62
<b>N (mm)</b>	60
<b>T (mm)</b>	46