

## Regulators - Series MC

Product code: MC104-R00

Datasheet creation date: 19/05/2026 08:51

Check the most updated document online [click here](#)

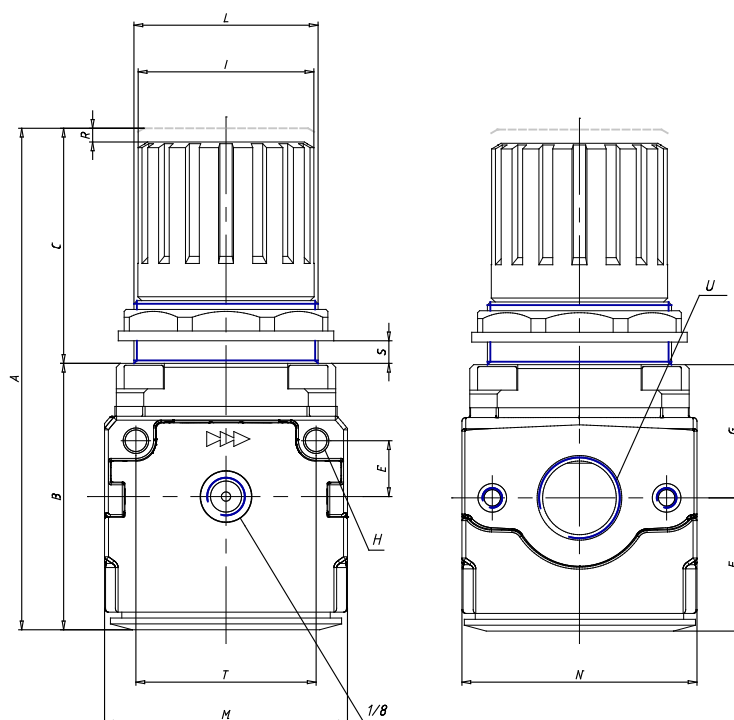


### TECHNICAL DATA

<b>Mod.</b>	MC104-R00
<b>U</b>	G1/4

## Regulators - Series MC

Product code: MC104-R00



### DIMENSIONS

<b>A (mm)</b>	94
<b>B (mm)</b>	56
<b>C (mm)</b>	38
<b>E (mm)</b>	11
<b>F (mm)</b>	28.5
<b>G (mm)</b>	27.5
<b>H (mm)</b>	4.5
<b>I (mm)</b>	28
<b>L</b>	30x1.5
<b>M (mm)</b>	45
<b>N (mm)</b>	45
<b>R (mm)</b>	3.0
<b>S</b>	0.6
<b>T (mm)</b>	35