

## Take off block - Series MC

Product code: MC1-B-VNR

Datasheet creation date: 20/05/2026 04:00

Check the most updated document online [click here](#)

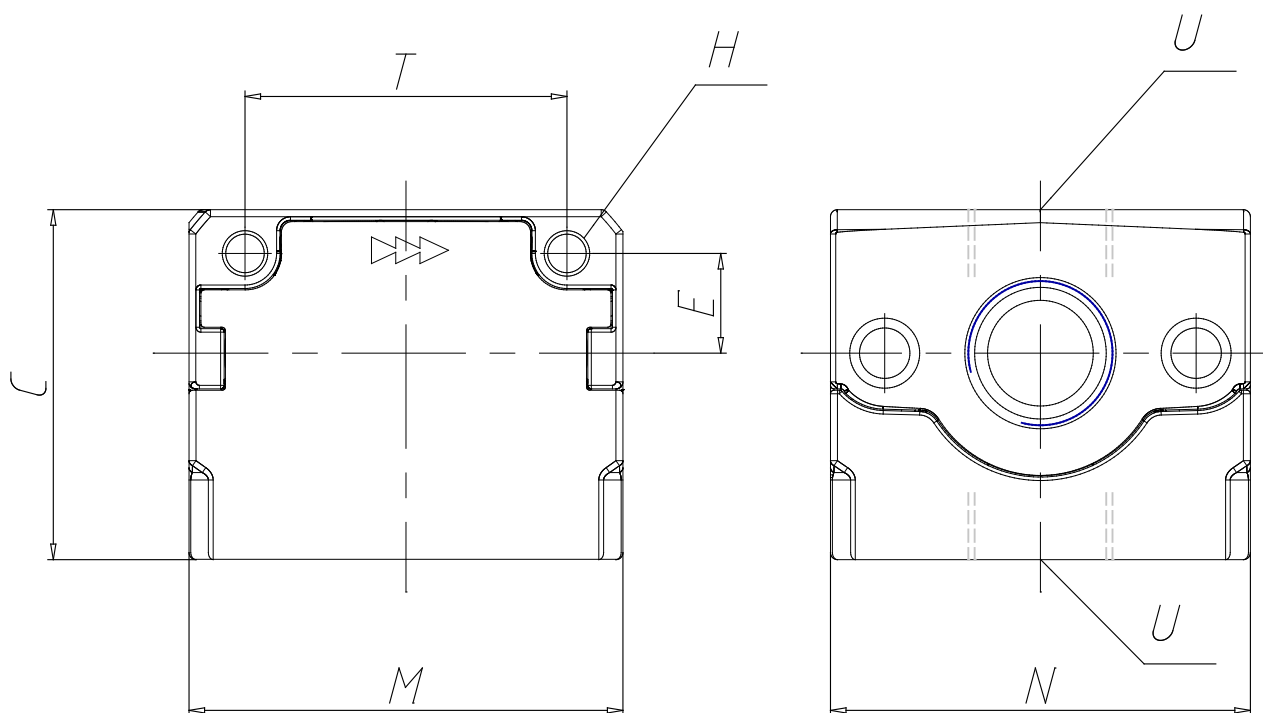


### TECHNICAL DATA

Mod.	MC1-B-VNR
U	1/4

## Take off block - Series MC

Product code: MC1-B-VNR



### DIMENSIONS

<b>C (mm)</b>	43
<b>H (mm)</b>	4.5
<b>E (mm)</b>	11
<b>M (mm)</b>	45
<b>N (mm)</b>	45
<b>T (mm)</b>	35