

## Rear Trunnion bracket - Mod. I

Product code: I-8-10

Datasheet creation date: 19/05/2026 08:30

Check the most updated document online [click here](#)

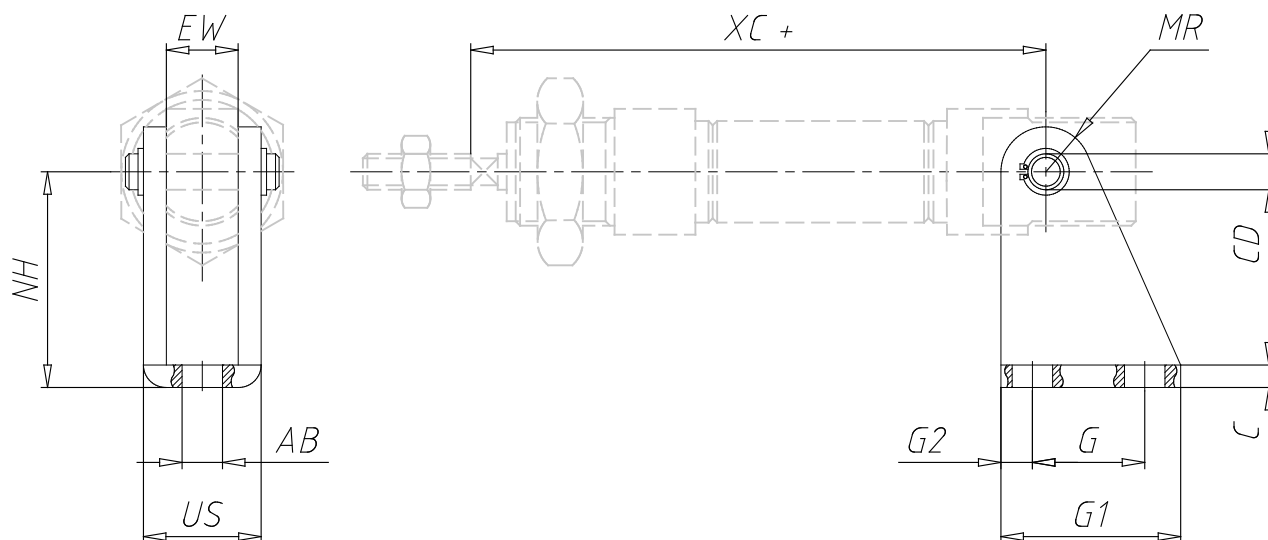


### TECHNICAL DATA

Mod.	I-8-10
------	--------

## Rear Trunnion bracket - Mod. I

Product code: I-8-10



### DIMENSIONS

<b>G1 (mm)</b>	20
<b>G (mm)</b>	12.5
<b>G2 (mm)</b>	3.5
<b>CD (mm)</b>	4
<b>AB (mm)</b>	4.5
<b>C (mm)</b>	2.5
<b>NH (mm)</b>	24
<b>EW (mm)</b>	8
<b>US (mm)</b>	13.1
<b>MR (mm)</b>	5.0
<b>XC (mm)</b>	64