

Rear Trunnion bracket - Mod. I

Product code: I-27-40

Datasheet creation date: 19/05/2026 08:30

Check the most updated document online [click here](#)

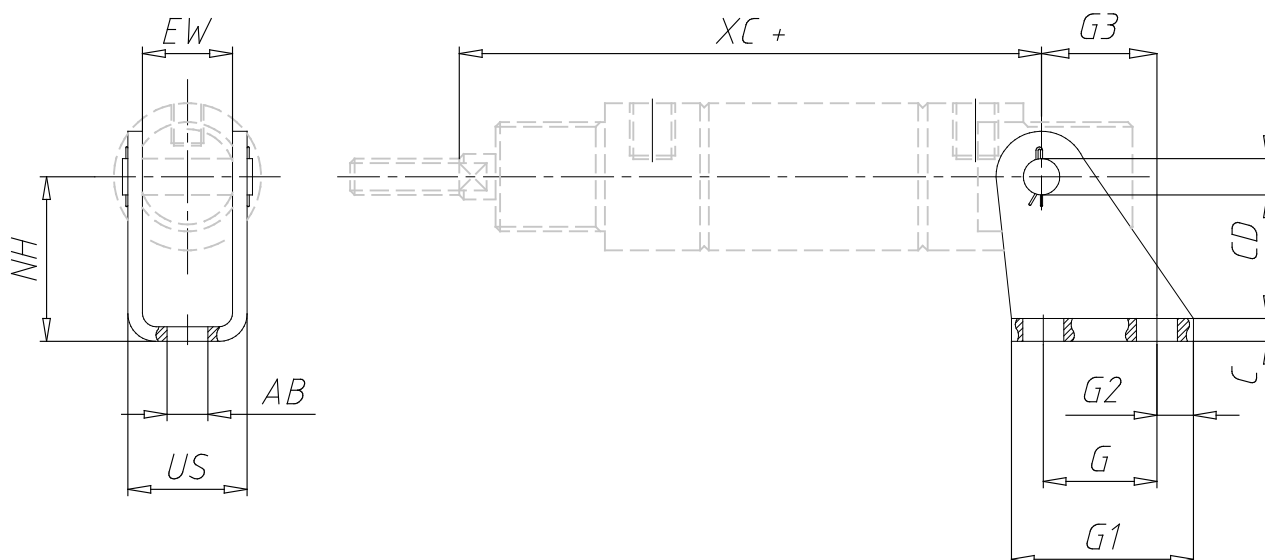


TECHNICAL DATA

Mod.	I-27-40
------	---------

Rear Trunnion bracket - Mod. I

Product code: I-27-40



DIMENSIONS

G (mm)	20
G1 (mm)	42
G2 (mm)	11
G3 (mm)	25.0
C (mm)	3.0
XC (mm)	96.0
Ø AB (mm)	7.0
US (mm)	26.0
NH (mm)	28
Ø CD (mm)	10
EW (mm)	20