

Rear Trunnion bracket - Mod. I

Product code: I-27-32

Datasheet creation date: 19/05/2026 08:30

Check the most updated document online [click here](#)

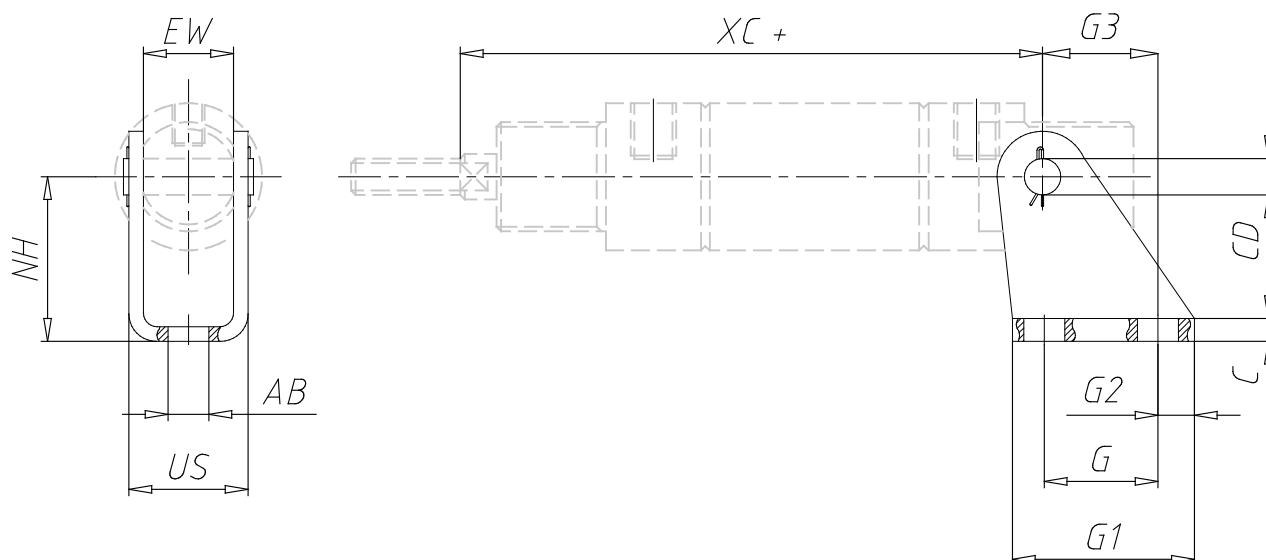


TECHNICAL DATA

| | |
|------|---------|
| Mod. | I-27-32 |
|------|---------|

Rear Trunnion bracket - Mod. I

Product code: I-27-32



DIMENSIONS

| | |
|------------------|------|
| G (mm) | 15 |
| G1 (mm) | 35 |
| G2 (mm) | 10 |
| G3 (mm) | 20.0 |
| C (mm) | 2.0 |
| XC (mm) | 93.0 |
| Ø AB (mm) | 6.6 |
| US (mm) | 20.5 |
| NH (mm) | 25 |
| Ø CD (mm) | 8 |
| EW (mm) | 16 |