

Rear Trunnion bracket - Mod. I

Product code: I-20-25

Datasheet creation date: 19/05/2026 09:03

Check the most updated document online [click here](#)

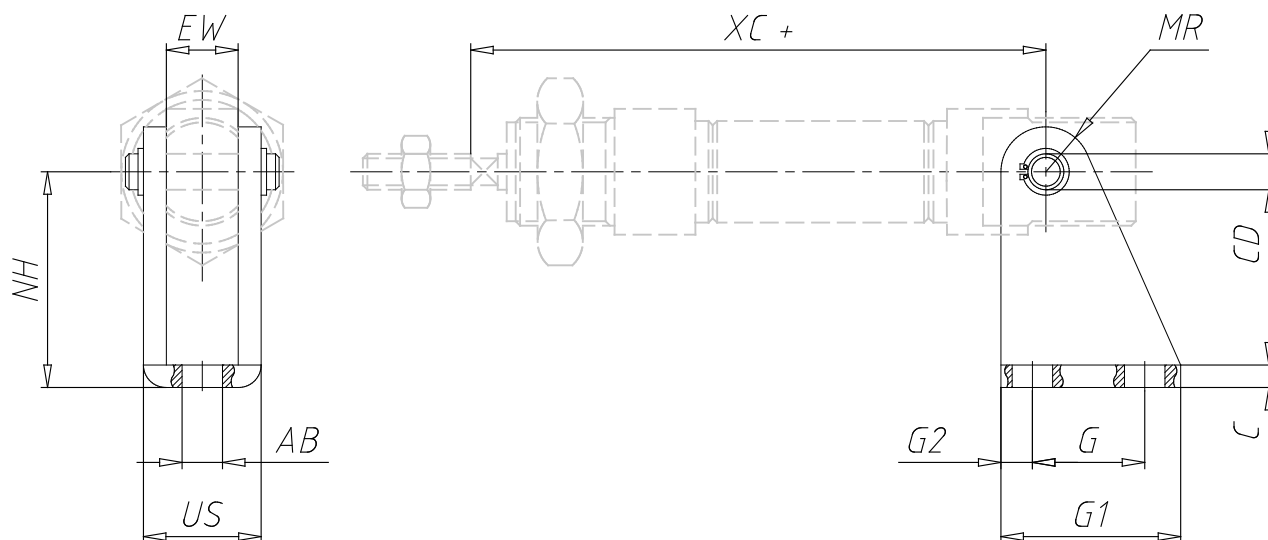


TECHNICAL DATA

Mod.	I-20-25
------	---------

Rear Trunnion bracket - Mod. I

Product code: I-20-25



DIMENSIONS

G1 (mm)	32
G (mm)	20.0
G2 (mm)	6.0
CD (mm)	8
AB (mm)	6.6
C (mm)	4.0
NH (mm)	30
EW (mm)	16
US (mm)	24.1
MR (mm)	10.0
XC (mm)	95 - 104